

# BERKELEY® B1-1/2EQL

## SAE ENGINE MOUNT

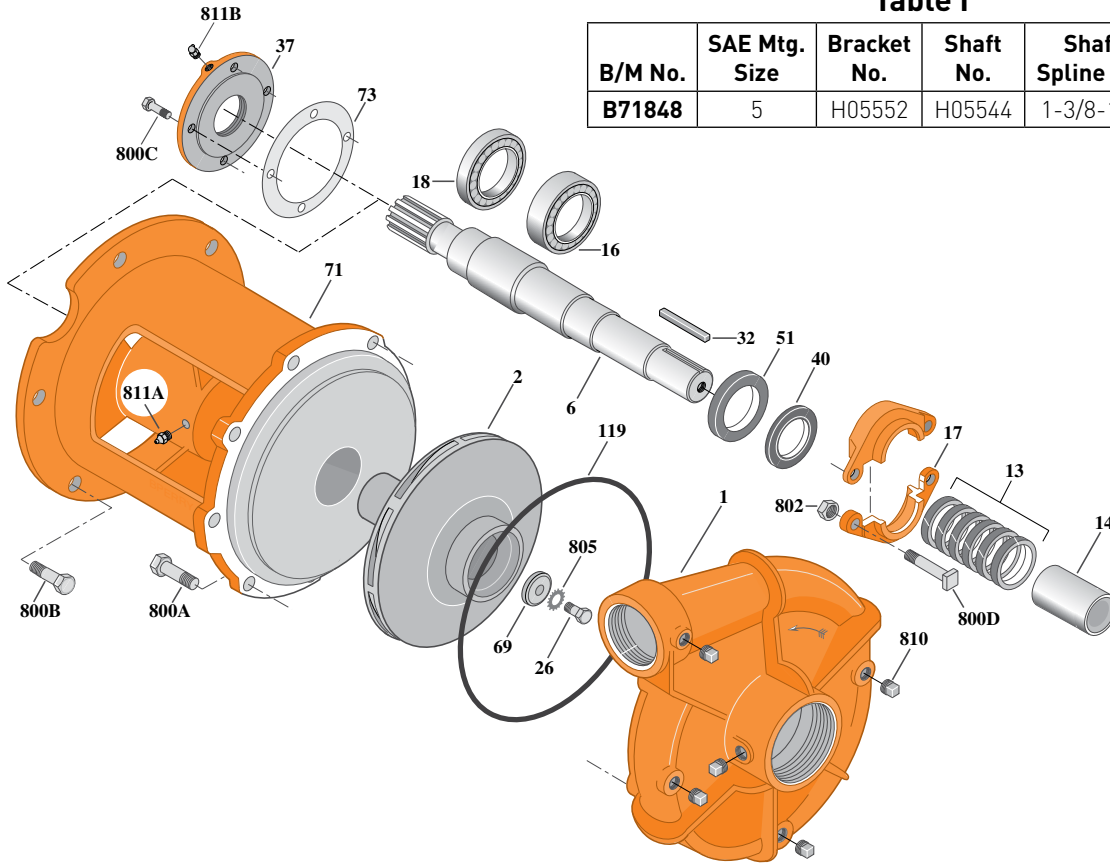
### Bronze Impeller

Threaded Case (NPT), Packing Construction

Section	SAE
Page	10.1
Date	March 4, 2013
Supersedes 01/01/04	

**Table I**

B/M No.	SAE Mtg. Size	Bracket No.	Shaft No.	Shaft Spline No.	Shaft Ext.
<b>B71848</b>	5	H05552	H05544	1-3/8-10T	2-1/2"



Item No.	Part Description	Part Number
1	Case, Volute	L03093
2	Impeller	H05763
6	Shaft	See Table I
13	Ring, Packing (Set of 6)	S14023
14	Sleeve, Shaft	S05974
16	Bearing, Ball	S13396
17	Gland, Packing	B82472
18	Bearing, Ball	S13395
26	Screw, Impeller 1/2-13x1"	S23619
32	Key, 1/4 x 2-1/4"	S23677
37	Outer Bearing Cap	M10979
40	Slinger, Water	S10964
51	Seal, Oil	S14765
69	Washer, Impeller	S12475

Item No.	Part Description	Part Number
71	Bracket	See Table I
73	Gasket	S18055
119	O-Ring	S13760
800A	Capscrew, Hex 1/2-13x1-1/4" (8 Req.)	S26914
800B	Capscrew, Hex 3/8-16x1-1/2" (7 Req.)	S26830
800C	Capscrew, Hex 1/4-20x3/4" (4 Req.)	S23119
800D	Bolt, Sq. Head 1/2-13x2-1/2" (2 Req.)	S23793
802	Nut, Hex 1/2-13 (2 Req.)	S23347
805	Washer, Lock	S23038
810	Plug, Pipe 1/4 NPT (5 Req.)	S23715
811A	Fitting, Grease	S23670
811B	Fitting, Grease	S23702
•	Plug, Pipe	S13883

• Not illustrated.



# BERKELEY® B1-1/2ZQM

## SAE ENGINE MOUNT

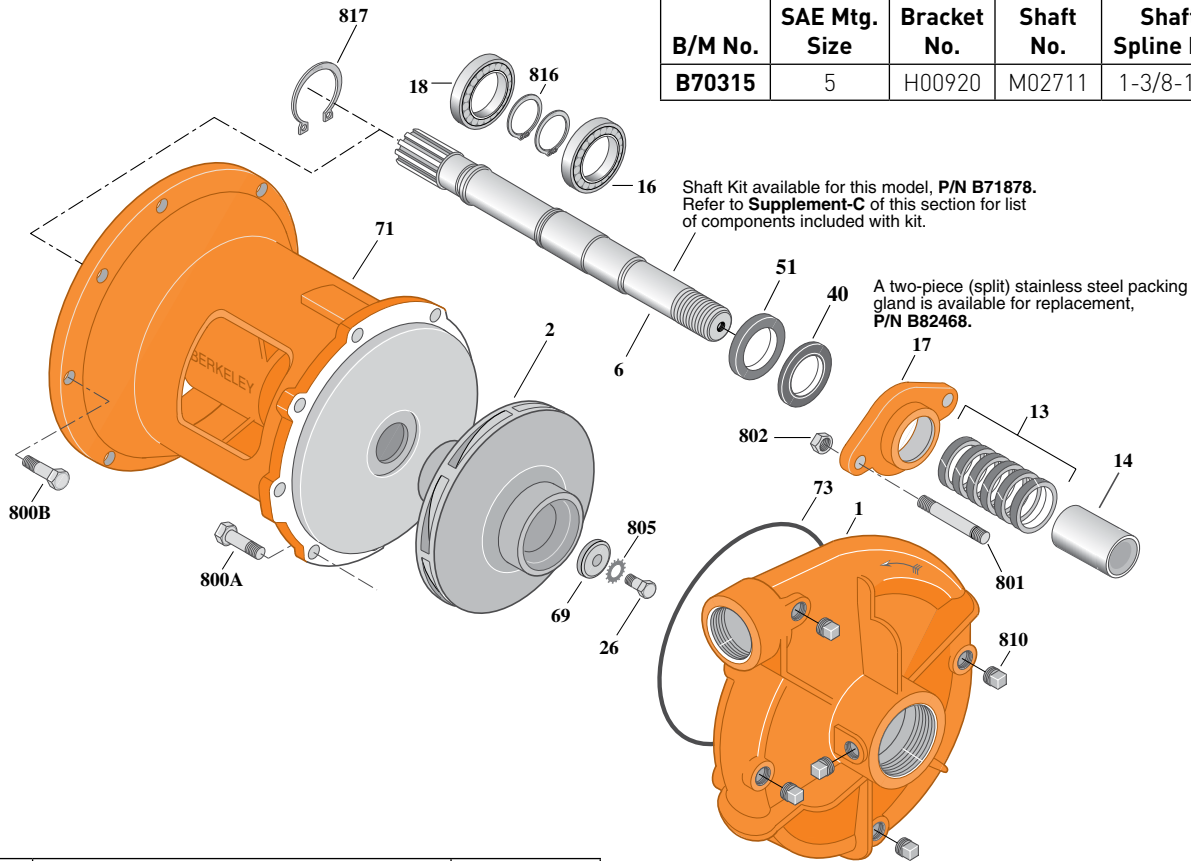
### Cast Iron Impeller

Threaded Case (NPT), Packing Construction

Section	SAE
Page	20.1
Date	March 4, 2013
Supersedes 07/01/11	

**Table I**

B/M No.	SAE Mtg. Size	Bracket No.	Shaft No.	Shaft Spline No.	Shaft Ext.
<b>B70315</b>	5	H00920	M02711	1-3/8-10T	2-1/2"



1951A 1210

Item No.	Part Description	Part Number
1	Case, Volute	L01025
2	Impeller	M01828
6	Shaft [See Note]	See Table I
13	Ring, Packing [Set of 6]	S14022
14	Sleeve, Shaft	S05127
16	Bearing, Ball	S13270
17	Gland, Packing [See Note]	S04948
18	Bearing, Ball	S14059
26	Screw, Impeller 3/8-16x1"	S23566
40	Slinger, Water	S12260
51	Seal, Oil	S14762
69	Washer, Impeller	S06314
71	Bracket	See Table I
73	O-Ring [See Note]	M14943
800A	Capscrew, Hex 3/8-16x1" [8 Req.]	S26826

Item No.	Part Description	Part Number
800B	Capscrew, Hex 3/8-16x1-1/4"[7 Req.]	S26828
801	Stud, 3/8-16x3" [2 Req.]	S04439
802	Nut, Hex 3/8-16 [2 Req.]	S23343
805	Washer, Lock	S23036
810	Plug, Pipe 1/4 NPT [5 Req.]	S23715
816	Ring, Retaining [2 Req.]	S23010
817	Ring, Retaining	S24652
•	Fitting, Grease	S23700

• Not illustrated.

**NOTE:** Also accepts gasket **S05126** as replacement for O-Ring. See **Supplement E** located at the beginning of this section.



# BERKELEY® B2ZQM

## Cast Iron Impeller

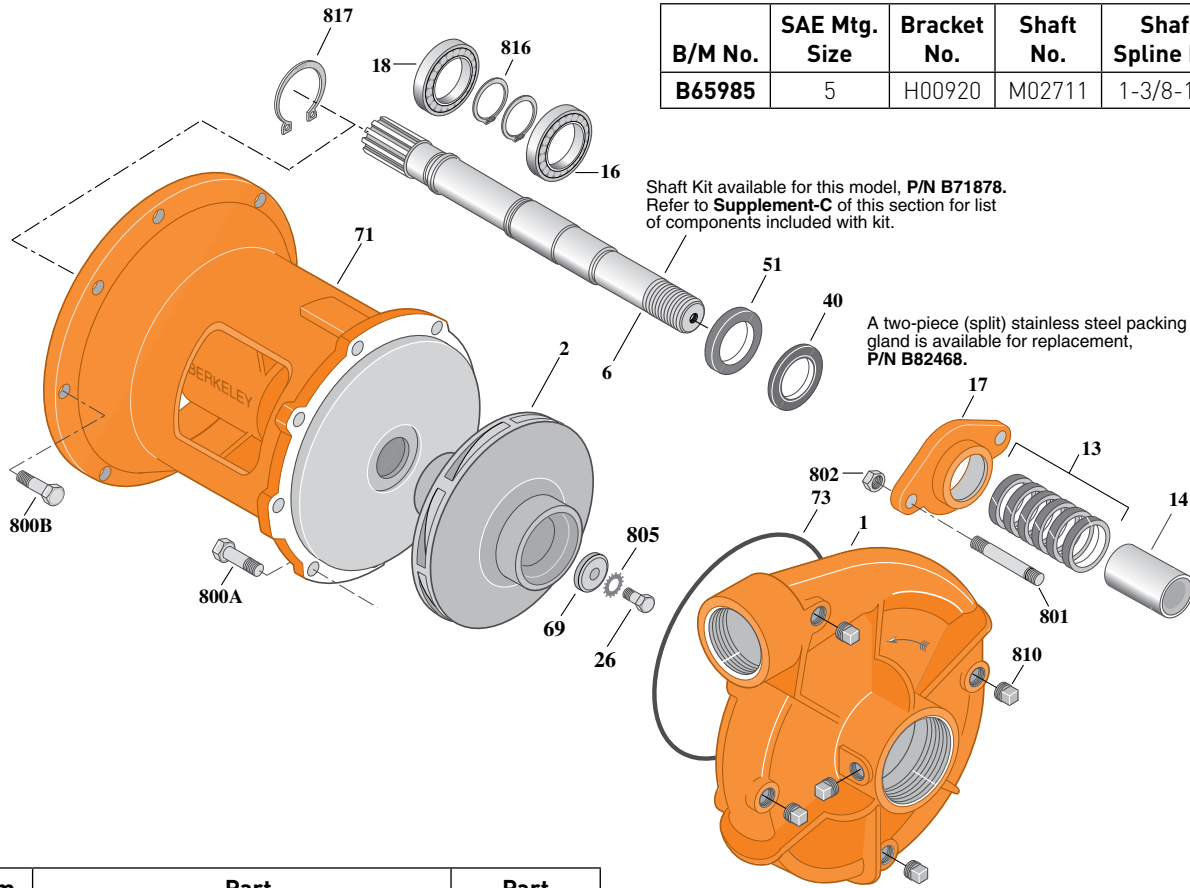
Threaded Case (NPT), Packing Construction

### SAE ENGINE MOUNT

Section	SAE
Page	30.1
Date	March 4, 2013
Supersedes 07/01/11	

**Table I**

B/M No.	SAE Mtg. Size	Bracket No.	Shaft No.	Shaft Spline No.	Shaft Ext.
B65985	5	H00920	M02711	1-3/8-10T	2-1/2"



Shaft Kit available for this model, P/N B71878. Refer to Supplement-C of this section for list of components included with kit.

A two-piece (split) stainless steel packing gland is available for replacement, P/N B82468.

1952A 1210

Item No.	Part Description	Part Number
1	Case, Volute	L01026
2	Impeller	M01802
6	Shaft [See Note]	See Table I
13	Ring, Packing [Set of 6]	S14022
14	Sleeve, Shaft	S05127
16	Bearing, Ball	S13270
17	Gland, Packing [See Note]	S04948
18	Bearing, Ball	S14059
26	Screw, Impeller 3/8-16x1"	S23566
40	Slinger, Water	S12260
51	Seal, Oil	S14762
69	Washer, Impeller	S06314
71	Bracket	See Table I
73	O-Ring [See Note]	M14943
800A	Capscrew, Hex 3/8-16x1" [8 Req.]	S26826

Item No.	Part Description	Part Number
800B	Capscrew, Hex 3/8-16x1-1/4"[7 Req.]	S26828
801	Stud, 3/8-16x3" [2 Req.]	S04439
802	Nut, Hex 3/8-16 [2 Req.]	S23343
805	Washer, Lock	S23036
810	Plug, Pipe 1/4 NPT [5 Req.]	S23715
816	Ring, Retaining [2 Req.]	S23010
817	Ring, Retaining	S24652
•	Fitting, Grease	S23700

• Not illustrated.

**NOTE:** Also accepts gasket **S05126** as replacement for O-Ring. See **Supplement E** located at the beginning of this section.



# BERKELEY® B2EQHH

## Cast Iron Impeller

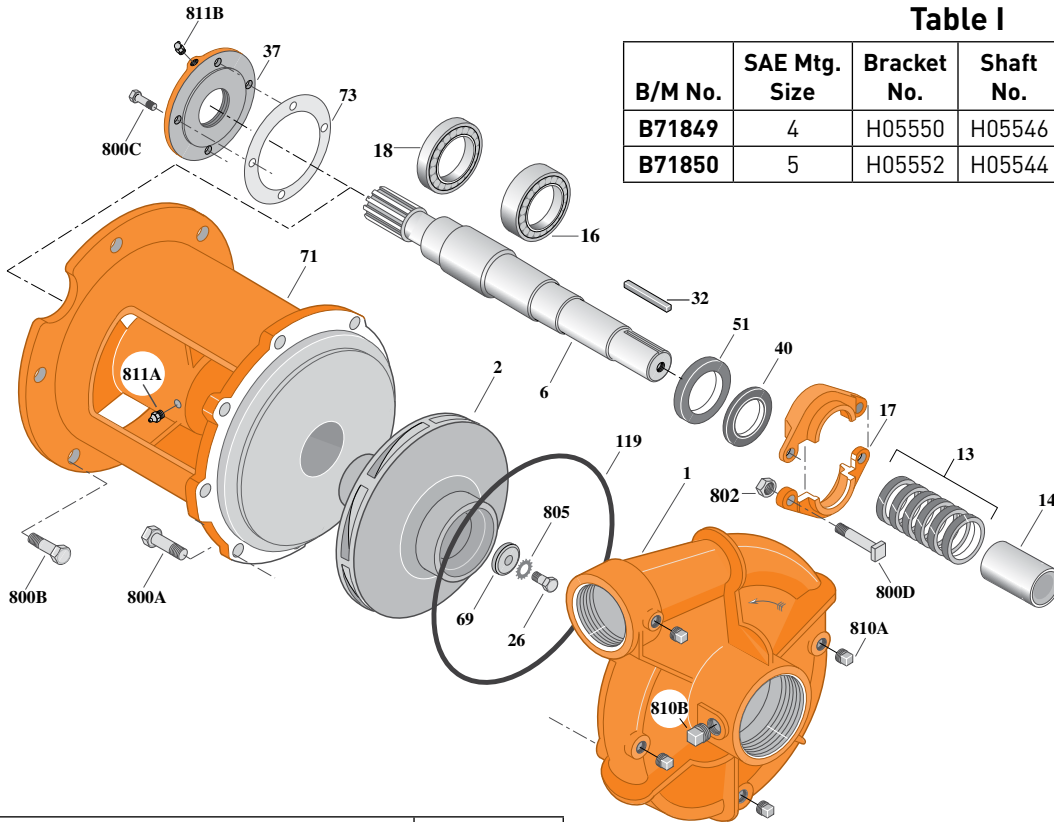
Threaded Case (NPT), Packing Construction

SAE ENGINE MOUNT

Section	SAE
Page	40.1
Date	March 4, 2013
Supersedes 01/01/04	

Table I

B/M No.	SAE Mtg. Size	Bracket No.	Shaft No.	Shaft Spline No.	Shaft Ext.
B71849	4	H05550	H05546	1-3/8-10T	3"
B71850	5	H05552	H05544	1-3/8-10T	2-1/2"



Item No.	Part Description	Part Number
1	Case, Volute	L03482
2	Impeller	M06915
6	Shaft	See Table I
13	Ring, Packing [Set of 6]	S14023
14	Sleeve, Shaft	S05974
16	Bearing, Ball	S13396
17	Gland, Packing	B82472
18	Bearing, Ball	S13395
26	Screw, Impeller 1/2-13x1"	S23619
32	Key, 1/4 x 2-1/4"	S23677
37	Bearing Cap, Outer	M10979
40	Slinger, Water	S10964
51	Seal, Oil	S14765
69	Washer, Impeller	S06319
71	Bracket	See Table I
73	Gasket	S18055

Item No.	Part Description	Part Number
119	O-Ring	S13760
800A	Capscrew, Hex 1-1/2-13x1-1/4" [8 Req.]	S26914
800B	Capscrew, Hex 3/8-16x1" [12 Req. - SAE 4]	S26914
800B	Capscrew, Hex 3/8-16x1-1/2" [7 Req. - SAE 5]	S26830
800C	Capscrew, Hex 1/4-20x3/4" [4 Req.]	S23119
800D	Bolt, Sq. Head 1/2-13x2-1/2" [2 Req.]	S23793
802	Nut, Hex 1/2-13x7/16" [2 Req.]	S23347
805	Washer, Lock	S23038
810A	Plug, Pipe 1/4 NPT [4 Req.]	S23715
810B	Plug, Pipe 1/2 NPT	S23717
811A	Fitting, Grease	S23670
811B	Fitting, Grease	S23702
•	Plug, Pipe 1/8 NPT	S13883

• Not illustrated.





# BERKELEY® B2-1/2ZQM

SAE ENGINE MOUNT

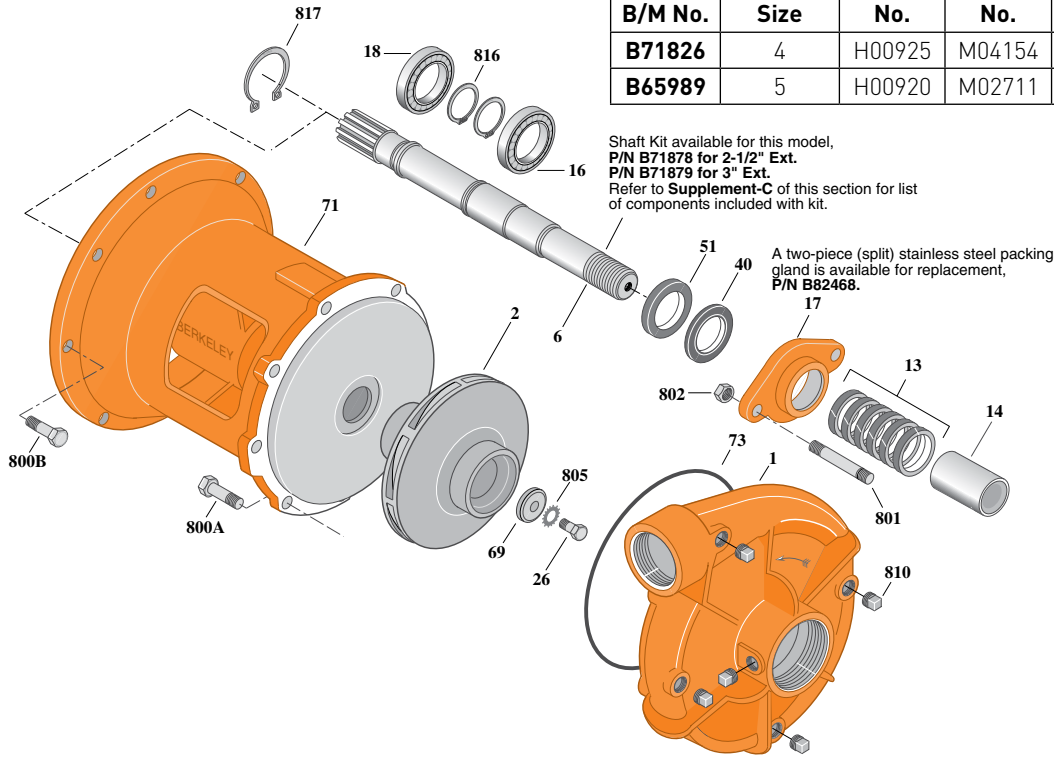
## Cast Iron Impeller

Threaded Case (NPT), Packing Construction

Section	SAE
Page	50.1
Date	March 4, 2013
Supersedes 07/01/11	

**Table I**

B/M No.	SAE Mtg. Size	Bracket No.	Shaft No.	Shaft Spline No.	Shaft Ext.
<b>B71826</b>	4	H00925	M04154	1-3/8-10T	3"
<b>B65989</b>	5	H00920	M02711	1-3/8-10T	2-1/2"



1954A 1210

Item No.	Part Description	Part Number
1	Case, Volute	L01027
2	Impeller	L01097
6	Shaft	See Table I
13	Ring, Packing (Set of 6)	S14022
14	Sleeve, Shaft	S05127
16	Bearing, Ball	S13270
17	Gland, Packing (See Note)	S04948
18	Bearing, Ball	S14059
26	Screw, Impeller 3/8-16x1"	S23566
40	Slinger, Water	S12260
51	Seal, Oil	S14762
69	Washer, Impeller	S06314
71	Bracket	See Table I
73	O-Ring (See Note)	M14943
800A	Capscrew, Hex 3/8-16x7/8" (8 Req.)	S26825
800B	Capscrew, Hex 3/8-16x1-1/4" (12 Req. - SAE 4)	S26828

Item No.	Part Description	Part Number
800B	Capscrew, Hex 3/8-16x1-1/4" (7 Req. - SAE 5)	S26828
801	Stud, 3/8-16x3" (2 Req.)	S04439
802	Nut, Hex 3/8-16 (2 Req.)	S23343
805	Washer, Lock	S23036
810	Plug, Pipe, 1/4 NPT (5 Req.)	S23715
816	Ring, Retaining (2 Req.)	S23010
817	Ring, Retaining	S24652
•	Fitting, Grease	S23700

• Not illustrated.

**NOTE:** Also accepts gasket **S05126** as replacement for O-Ring. See **Supplement E** located at the beginning of this section.



# BERKELEY® B2-1/2JQBL

## SAE ENGINE MOUNT

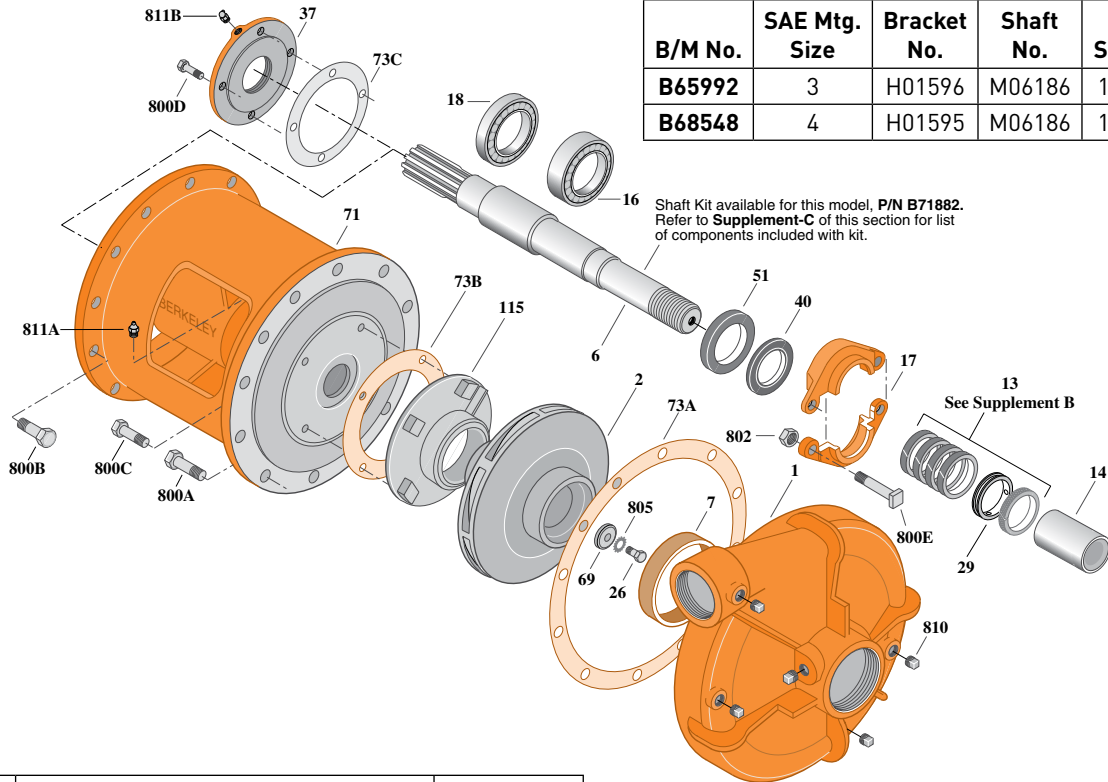
### Cast Iron Impeller

Threaded Case (NPT), Packing Construction

Section	SAE
Page	60.1
Date	March 4, 2013
Supersedes 01/01/04	

**Table I**

B/M No.	SAE Mtg. Size	Bracket No.	Shaft No.	Shaft Spline No.	Shaft Ext.
<b>B65992</b>	3	H01596	M06186	1-3/8-10T	3"
<b>B68548</b>	4	H01595	M06186	1-3/8-10T	3"



Item No.	Part Description	Part Number
1	Case, Volute	H01928
2	Impeller	L03077
6	Shaft (See Note)	See Table I
7	Ring, Wearing	S04176
13	Ring, Packing (Set of 4)	S13436
14	Sleeve, Shaft	S05974
16	Bearing, Ball	S13396
17	Gland, Packing	B82472
18	Bearing, Ball	S13395
26	Screw, Impeller 1/2-13x1-1/2"	S23623
29	Ring, Lantern	S18993
37	Bearing Cap, Outer	M04998
40	Slinger, Water	S10964
51	Seal, Oil	S14765
69	Washer, Impeller	S06319
71	Bracket	See Table I

Item No.	Part Description	Part Number
73A	Gasket, Volute	S06271
73B	Gasket, Balance Ring	S09943
73C	Gasket	S18055
115	Balance Ring	M05115
800A	Capscrew, Hex 3/8-16x1-1/4" (12 Req.)	S26828
800B	Capscrew, Hex 5/8-11x1-1/2" (12 Req.)	S26999
800C	Capscrew, Hex 3/8-16x1" (4 Req.)	S26826
800D	Capscrew, Hex 1/4-20x3/4" (4 Req.)	S23119
800E	Bolt, Sq. Head 1/2-13x2-3/4" (2 Req.)	S23794
802	Nut, Hex 1/2-13x7/16" (2 Req.)	S23347
805	Washer, Lock	S23038
810	Plug, Pipe 1/2 NPT (6 Req.)	S23717
811A	Fitting, Grease	S23670
811B	Fitting, Grease	S23702
•	Fitting, Grease	S23700

• Not illustrated.



# BERKELEY® B2-1/2JQBL

SAE ENGINE MOUNT

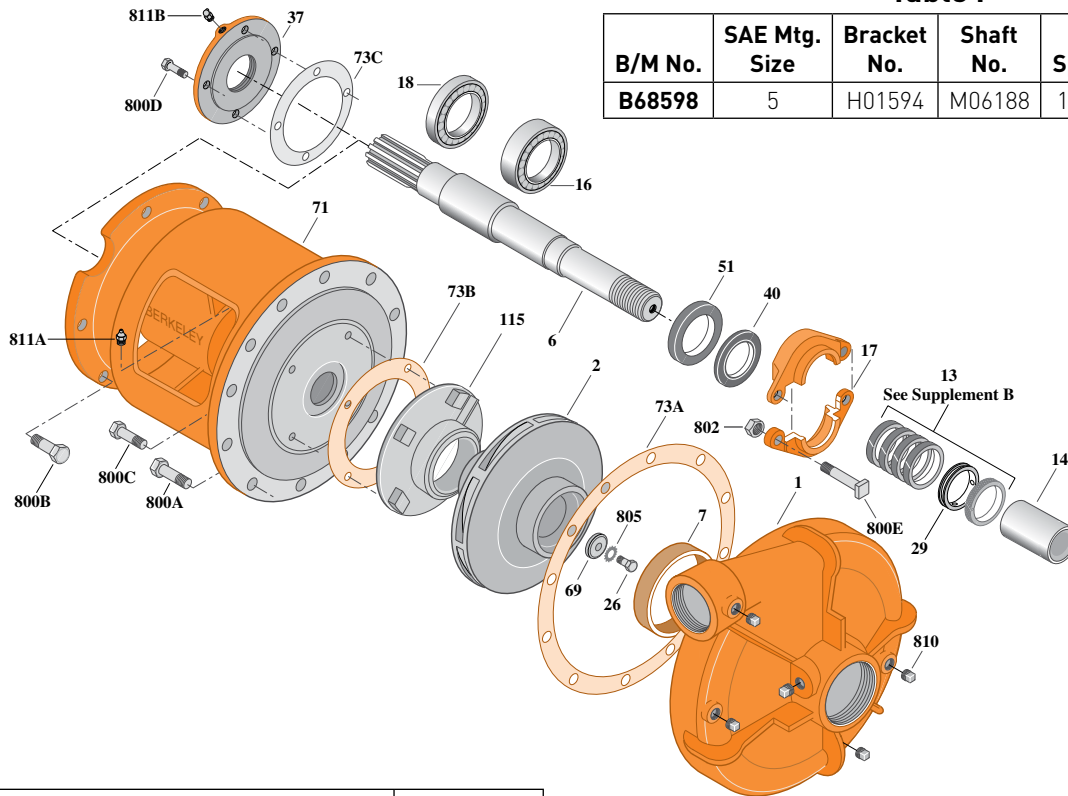
## Cast Iron Impeller

Threaded Case (NPT), Packing Construction

Section	SAE
Page	60.2
Date	March 4, 2013
Supersedes 01/01/04	

**Table I**

B/M No.	SAE Mtg. Size	Bracket No.	Shaft No.	Shaft Spline No.	Shaft Ext.
B68598	5	H01594	M06188	1-3/8-10T	2-1/2"



Item No.	Part Description	Part Number
1	Case, Volute	H01928
2	Impeller	L03077
6	Shaft	See Table I
7	Ring, Wearing	S04176
13	Ring, Packing (Set of 4)	S13436
14	Sleeve, Shaft	S05974
16	Bearing, Ball	S13396
17	Gland, Packing	B82472
18	Bearing, Ball	S13395
26	Screw, Impeller 1/2-13x1-1/2"	S23623
29	Ring, Lantern	S18993
37	Bearing Cap, Outer	M04998
40	Slinger, Water	S10964
51	Seal, Oil	S14765
69	Washer, Impeller	S06319
71	Bracket	See Table I

Item No.	Part Description	Part Number
73A	Gasket, Volute	S06271
73B	Gasket, Balance Ring	S09943
73C	Gasket	S18055
115	Ring, Balance	M05115
800A	Capscrew, Hex 3/8-16x1-1/4" (8 Req.)	S26828
800B	Capscrew, Hex 5/8-11x1-1/2" (12 Req.)	S26999
800C	Capscrew, Hex 3/8-16x1" (4 Req.)	S26826
800D	Capscrew, Hex 1/4-20x3/4" (4 Req.)	S23119
800E	Bolt, Sq. Head 1/2-13x2-3/4" (2 Req.)	S23794
802	Nut, Hex 1/2-13x7/16" (2 Req.)	S23347
805	Washer, Lock	S23038
810	Plug, Pipe 1/2 NPT (6 Req.)	S23717
811A	Fitting, Grease	S23670
811B	Fitting, Grease	S23702
•	Fitting, Grease	S23700

• Not illustrated.



# BERKELEY® B2-1/2JQBM

SAE ENGINE MOUNT

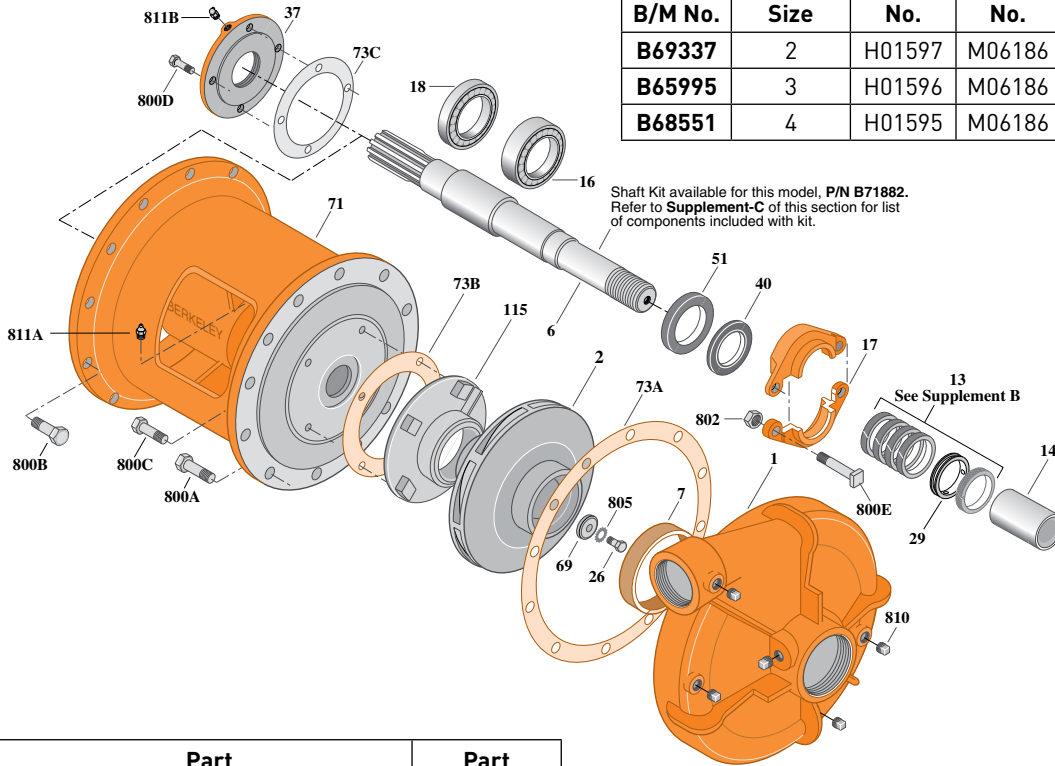
## Cast Iron Impeller

Threaded Case (NPT), Packing Construction

Section	SAE
Page	70.1
Date	March 4, 2013
Supersedes 01/01/04	

**Table I**

B/M No.	SAE Mtg. Size	Bracket No.	Shaft No.	Shaft Spline No.	Shaft Ext.
<b>B69337</b>	2	H01597	M06186	1-3/8-10T	3"
<b>B65995</b>	3	H01596	M06186	1-3/8-10T	3"
<b>B68551</b>	4	H01595	M06186	1-3/8-10T	3"



Item No.	Part Description	Part Number
1	Case, Volute	H01928
2	Impeller	L03039
6	Shaft	See Table I
7	Ring, Wearing	S04176
13	Ring, Packing (Set of 4)	S13436
14	Sleeve, Shaft	S05974
16	Bearing, Ball	S13396
17	Gland, Packing	B82472
18	Bearing, Ball	S13395
26	Screw, Impeller 1/2-13x1-1/2"	S23623
29	Ring, Lantern	S18993
37	Bearing Cap, Outer	M04998
40	Slinger, Water	S10964
51	Seal, Oil	S14765
69	Washer, Impeller	S06319
71	Bracket	See Table I

Item No.	Part Description	Part Number
73A	Gasket, Volute	S06271
73B	Gasket, Balance Ring	S09943
73C	Gasket	S18055
115	Ring, Balance	M05115
800A	Capscrew, Hex 3/8-16x1-1/4" (12 Req.)	S26828
800B	Capscrew, Hex 5/8-11x1-1/2" (12 Req.)	S26999
800C	Capscrew, Hex 3/8-16x1" (4 Req.)	S26826
800D	Capscrew, Hex 1/4-20x3/4" (4 Req.)	S23119
800E	Bolt, Sq. Head 1/2-13x2-3/4" (2 Req.)	S23794
802	Nut, Hex 1/2-13x7/16" (2 Req.)	S23347
805	Washer, Lock	S23038
810	Plug, Pipe 1/2 NPT (6 Req.)	S23717
811A	Fitting, Grease	S23670
811B	Fitting, Grease	S23702
•	Fitting, Grease	S23700

• Not illustrated.



# BERKELEY® B2-1/2JQBM

SAE ENGINE MOUNT

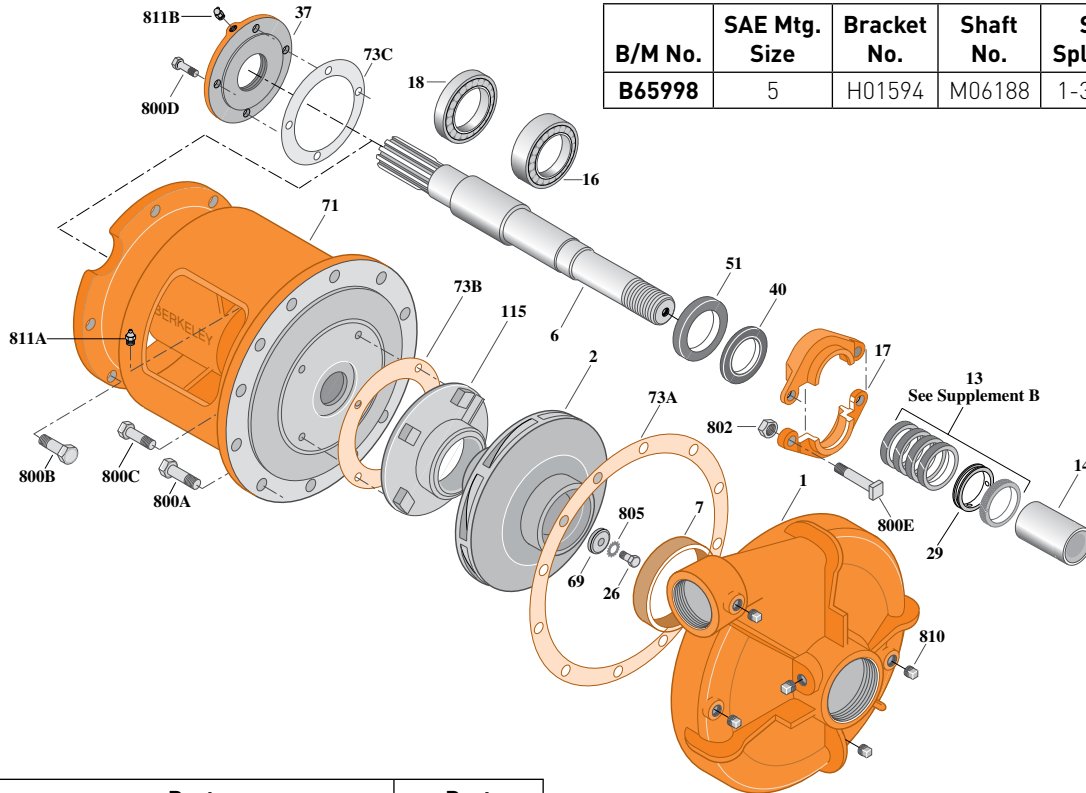
## Cast Iron Impeller

Threaded Case (NPT), Packing Construction

Section	SAE
Page	70.2
Date	March 4, 2013
Supersedes 01/01/04	

Table I

B/M No.	SAE Mtg. Size	Bracket No.	Shaft No.	Shaft Spline No.	Shaft Ext.
B65998	5	H01594	M06188	1-3/8-10T	2-1/2"



Item No.	Part Description	Part Number
1	Case, Volute	H01928
2	Impeller	L03039
6	Shaft	See Table I
7	Ring, Wearing	S04176
13	Ring, Packing (Set of 4)	S13436
14	Sleeve, Shaft	S05974
16	Bearing, Ball	S13396
17	Gland, Packing	B82472
18	Bearing, Ball	S13395
26	Screw, Impeller 1/2-13x1-1/2"	S23623
29	Ring, Lantern	S18993
37	Bearing Cap, Outer	M04998
40	Slinger, Water	S10964
51	Seal, Oil	S14765
69	Washer, Impeller	S06319
71	Bracket	See Table I

Item No.	Part Description	Part Number
73A	Gasket, Volute	S06271
73B	Gasket, Balance Ring	S09943
73C	Gasket	S18055
115	Ring, Balance	M05115
800A	Capscrew, Hex 3/8-16x1-1/4" (8 Req.)	S26828
800B	Capscrew, Hex 5/8-11x1-1/2" (12 Req.)	S26999
800C	Capscrew, Hex 3/8-16x1" (4 Req.)	S26826
800D	Capscrew, Hex 1/4-20x3/4" (4 Req.)	S23119
800E	Bolt, Sq. Head 1/2-13x2-3/4" (2 Req.)	S23794
802	Nut, Hex 1/2-13x7/16" (2 Req.)	S23347
805	Washer, Lock	S23038
810	Plug, Pipe 1/2 NPT (6 Req.)	S23717
811A	Fitting, Grease	S23670
811B	Fitting, Grease	S23702
•	Fitting, Grease	S18993

• Not illustrated.



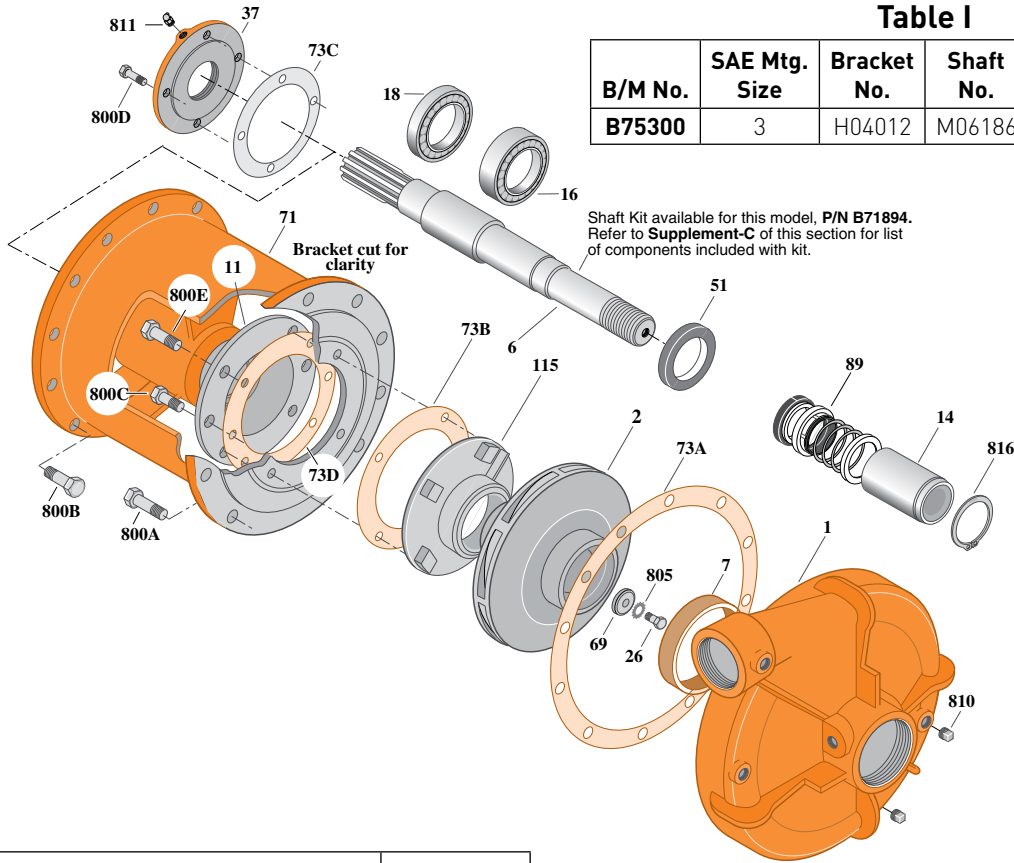
# BERKELEY® B2-1/2JQBMS

SAE ENGINE MOUNT

## Cast Iron Impeller

Threaded Case (NPT), Mechanical Seal Construction

Section	SAE
Page	70.3
Date	March 4, 2013
Supersedes 01/01/04	



**Table I**

B/M No.	SAE Mtg. Size	Bracket No.	Shaft No.	Shaft Spline No.	Shaft Ext.
<b>B75300</b>	3	H04012	M06186	1-3/8-10T	3"

Shaft Kit available for this model, P/N B71894. Refer to Supplement-C of this section for list of components included with kit.

Item No.	Part Description	Part Number
1	Case, Volute	H01928
2	Impeller	L03039
6	Shaft (See Note)	See Table I
7	Ring, Wearing	S04176
11	Retainer, Mechanical Shaft Seal	M07603
14	Sleeve, Shaft	S33429
16	Bearing, Ball	S13396
18	Bearing, Ball	S13395
26	Screw, Impeller 1/2-13x1-1/2"	S23623
37	Outer Bearing Cap	M04998
51	Seal, Oil	S14765
69	Washer, Impeller	S06319
71	Bracket	See Table I
73A	Gasket, Volute	S06271
73B	Gasket, Balance Ring	S09943

Item No.	Part Description	Part Number
73C	Gasket	S18055
89	Seal, Mechanical Shaft	S32694
115	Ring, Balance	M05115
800A	Capscrew, Hex 5/8-11x1-1/2" (12 Req.)	S26999
800B	Capscrew, Hex 3/8-16x1-1/4" (12 Req.)	S26828
800C	Capscrew, Hex 3/8-16x5/8" (2 Req.)	S39853
800D	Capscrew, Hex 1/4-20x3/4" (4 Req.)	S23119
801	Stud, 3/8-16x1-1/2" (4 Req.)	S23995
802	Nut, Hex 3/8-16 (4 Req.)	S23103
805	Washer, Lock	S23038
810	Plug, Pipe 1/2 NPT (6 Req.)	S23717
811	Fitting, Grease	S23670
816	Ring, Retaining	S29341
•	Fitting, Grease	S23700

• Not illustrated.





# BERKELEY® B2-1/2JQBMS

SAE ENGINE MOUNT

## Cast Iron Impeller

Threaded Case (NPT), Mechanical Seal Construction

Section	SAE
Page	70.4
Date	March 4, 2013
Supersedes 01/01/12	

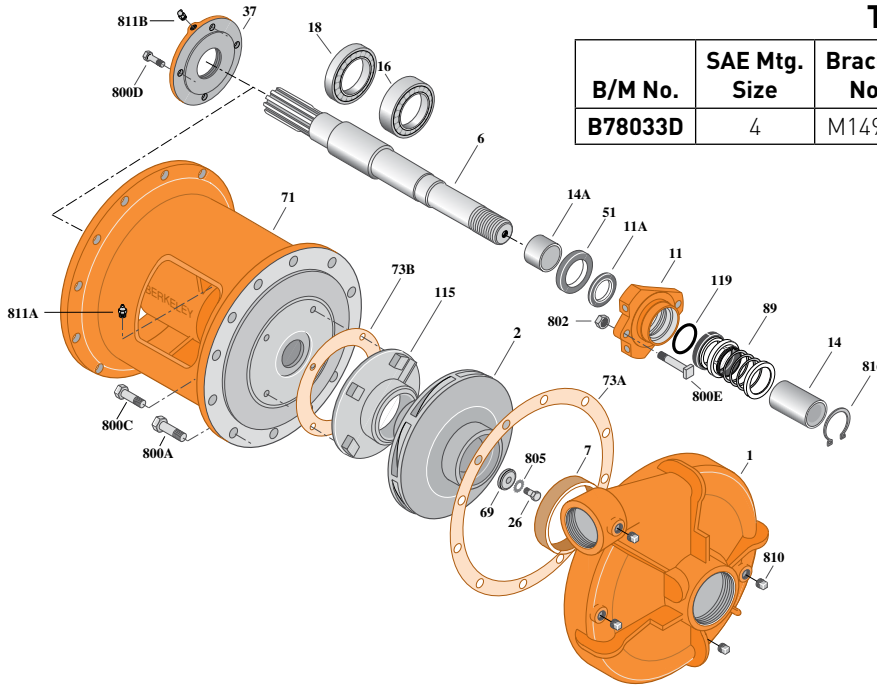


Table I

B/M No.	SAE Mtg. Size	Bracket No.	Shaft No.	Shaft Spline No.	Shaft Ext.
B78033D	4	M14965	M06183	1-1/2-10T	3"

Item No.	Part Description	Part Number
1	Case, Volute	H01928
2	Impeller	L03039
6	Shaft	See Table 1
7	Ring, Wearing	S04176
11	Retainer, Mechanical Shaft Seal, Dry Run	M14959
11A	Dry run Gland Lip Seal	M12337
14	Sleeve, Shaft	S33429L
14A	Sleeve, Shaft	M14971
16	Bearing, Ball	S13396
18	Bearing, Ball	S13395
26	Screw, Impeller 1/2-13x1-1/2"	S23623
37	Outer Bearing Cap Assembly	M04998
51	Seal, Oil	S14765
69	Washer, Impeller	S06319
71	Bracket	See Table 1
73A	Gasket, Volute	S06271
73B	Gasket, Balance Ring	S09943
89	Seal, Mechanical Shaft	S32693
115	Ring, Balance	M06646
119	O-Ring	M14972

Item No.	Part Description	Part Number
800A	Capscrew, Hex 5/8-11x1-1/2" (10 Rqd.)	S26999
800A	Capscrew, Hex 5/8-11x1-3/4" (2 Rqd.) top Ctr	S27001
800C	Capscrew, Hex 3/8-16x1" (4 Rqd.)	S26826
800D	Capscrew, Hex 1/4-20x3/4" (4 Rqd.)	S23119
800E	Bolt, Sq. Head 1/2-13x2-1/4" (2 Rqd.)	S23792
802	Nut, Hex 1/2-13 (2 Rqd.)	S23347
805	Washer, Lock	S23038
810	Plug, Pipe 1/2 NPT (4 Rqd.)	S23717
811A	Fitting, Grease	S23670
811B	Fitting, Grease	S23702
816	Ring, Retaining	S29341

**NOTE 1: Shaft Replacement Kit** is available for this model. Berkeley part number **B71894**. Pump shaft sold in replacement kit only. Refer to **Supplement C** for shaft kit components.

**NOTE 2:** Refer to **Supplement F** for dry run tank repair parts. Dry run lubrication system requires one gallon of food grade hydraulic oil (FGHO), viscosity 150 SSU at 100° F. Oil not supplied, purchase locally.



# BERKELEY® B3ZQM

## Cast Iron Impeller

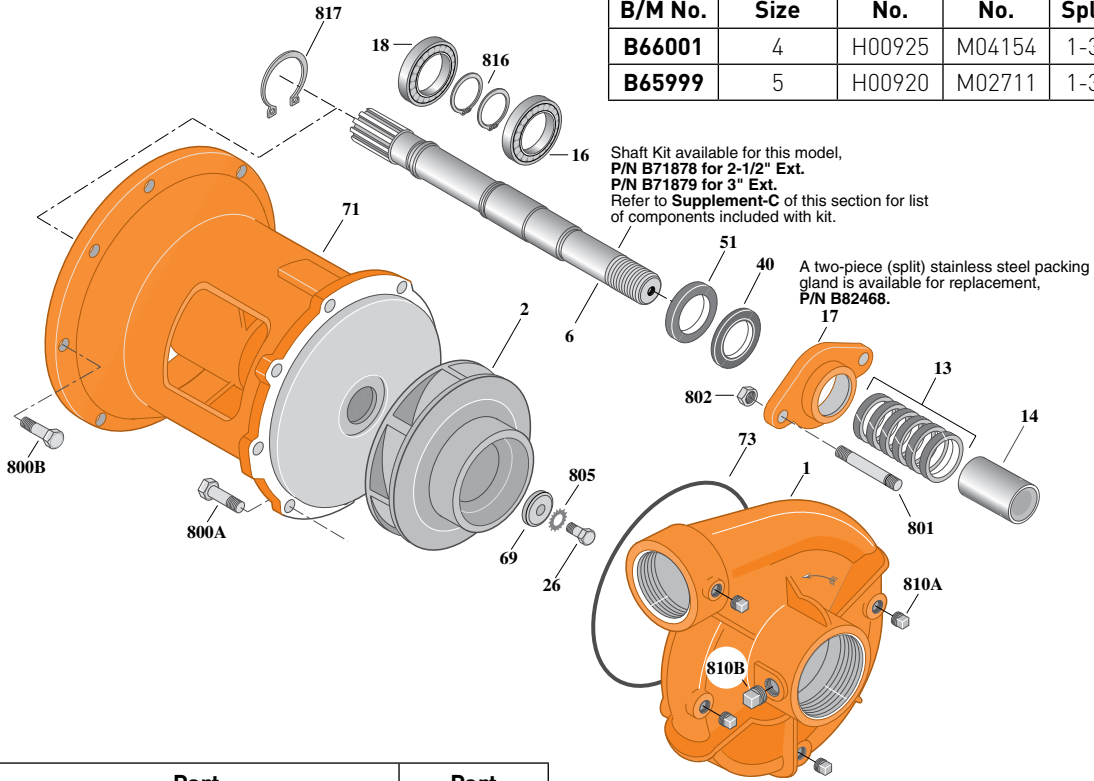
Threaded Case (NPT), Packing Construction

SAE ENGINE MOUNT

Section	SAE
Page	80.1
Date	March 4, 2013
Supersedes 03/01/11	

Table I

B/M No.	SAE Mtg. Size	Bracket No.	Shaft No.	Shaft Spline No.	Shaft Ext.
B66001	4	H00925	M04154	1-3/8-10T	3"
B65999	5	H00920	M02711	1-3/8-10T	2-1/2"



Item No.	Part Description	Part Number
1	Case, Volute	H00689
2	Impeller	M02153
6	Shaft [See Note]	See Table I
13	Ring, Packing [Set of 6]	S14022
14	Sleeve, Shaft	S05127
16	Bearing, Ball	S13270
17	Gland, Packing [See Note]	S04948
18	Bearing, Ball	S14059
26	Screw, Impeller 3/8-16x1"	S23566
40	Slinger, Water	S12260
51	Seal, Oil	S14762
69	Washer, Impeller	S06314
71	Bracket	See Table I
73	O-Ring [See Note]	M14943
800A	Capscrew, Hex 3/8-16x7/8" [8 Req.]	S26825
800B	Capscrew, Hex 3/8-16x1-1/4" [12 Req. - SAE 4]	S26828

Item No.	Part Description	Part Number
800B	Capscrew, Hex 3/8-16x1-1/4" [7 Req. - SAE 5]	S26828
801	Stud, 3/8-16x3" [2 Req.]	S04439
802	Nut, Hex 3/8-16 [2 Req.]	S23343
805	Washer, Lock	S23036
810A	Plug, Pipe, 1/4 NPT [4 Req.]	S23715
810B	Plug, Pipe, 1/2 NPT	S23717
816	Ring, Retaining [2 Req.]	S23010
817	Ring, Retaining	S24652
•	Fitting, Grease	S23700

• Not illustrated.

**NOTE:** Also accepts gasket **S05126** as replacement for O-Ring. See **Supplement E** located at the beginning of this section.



# BERKELEY® B3ZQM

## Cast Iron Impeller

Victaulic Case, Packing Construction

### SAE ENGINE MOUNT

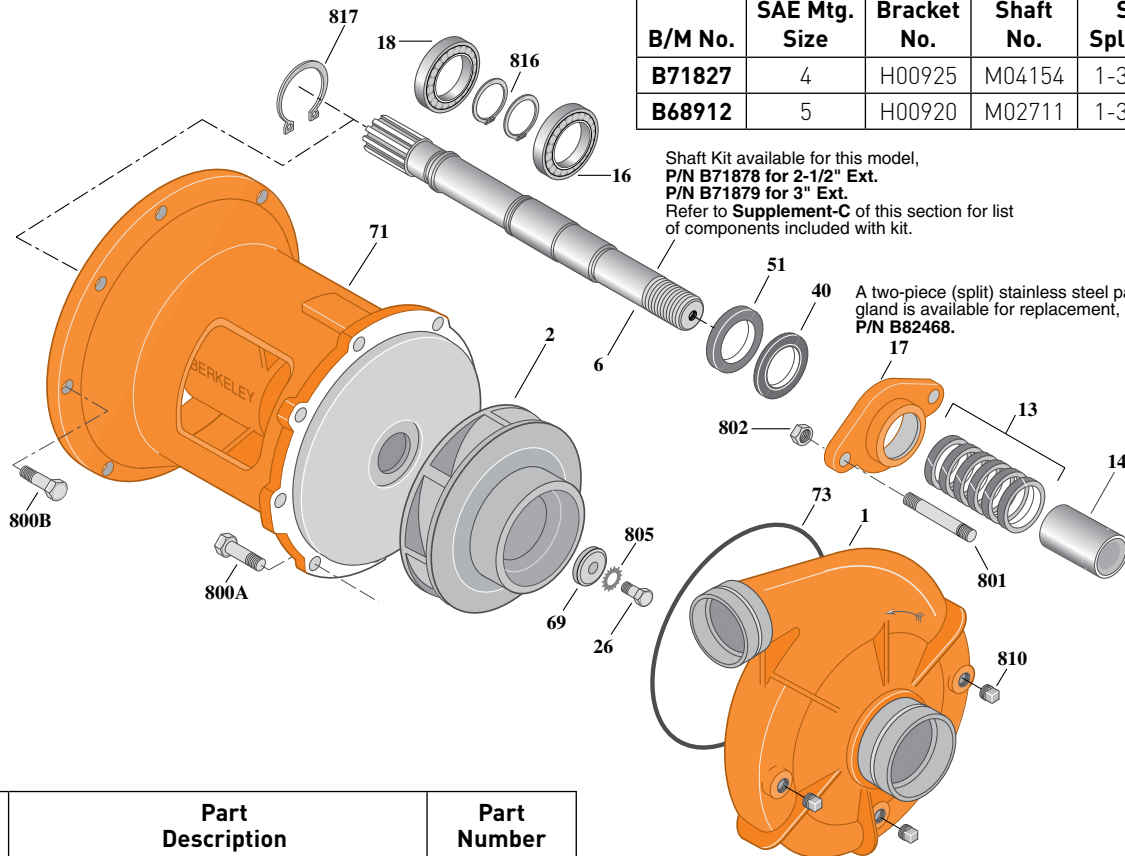
Section	SAE
Page	80.2
Date	March 4, 2013
Supersedes 03/01/11	

**Table I**

B/M No.	SAE Mtg. Size	Bracket No.	Shaft No.	Shaft Spline No.	Shaft Ext.
<b>B71827</b>	4	H00925	M04154	1-3/8-10T	3"
<b>B68912</b>	5	H00920	M02711	1-3/8-10T	2-1/2"

Shaft Kit available for this model,  
**P/N B71878 for 2-1/2" Ext.**  
**P/N B71879 for 3" Ext.**  
 Refer to **Supplement-C** of this section for list of components included with kit.

A two-piece (split) stainless steel packing gland is available for replacement,  
**P/N B82468.**



1962A 1210

Item No.	Part Description	Part Number
1	Case, Volute	H04040
2	Impeller	M02153
6	Shaft [See Note]	See Table I
13	Ring, Packing [Set of 6]	S14022
14	Sleeve, Shaft	S05127
16	Bearing, Ball	S13270
17	Gland, Packing [See Note]	S04948
18	Bearing, Ball	S14059
26	Screw, Impeller 3/8-16x1"	S23566
40	Slinger, Water	S12260
51	Seal, Oil	S14762
69	Washer, Impeller	S06314
71	Bracket	See Table I
73	O-Ring [See Note]	M14943
800A	Capscrew, Hex 3/8-16x7/8" [8 Req.]	S26825
800B	Capscrew, Hex 3/8-16x1-1/4" [12 Req. - SAE 4]	S26828

Item No.	Part Description	Part Number
800B	Capscrew, Hex 3/8-16x1-1/4" [7 Req. - SAE 5]	S26828
801	Stud, 3/8-16x3" [2 Req.]	S04439
802	Nut, Hex 3/8-16 [2 Req.]	S23343
805	Washer, Lock	S23036
810	Plug, Pipe, 1/4 NPT [3 Req.]	S23715
816	Ring, Retaining [2 Req.]	S23010
817	Ring, Retaining	S24652
•	Fitting, Grease	S23700

• Not illustrated.

**NOTE:** Also accepts gasket **S05126** as replacement for O-Ring. See **Supplement E** located at the beginning of this section.



# BERKELEY® B3ZQM

## Cast Iron Impeller

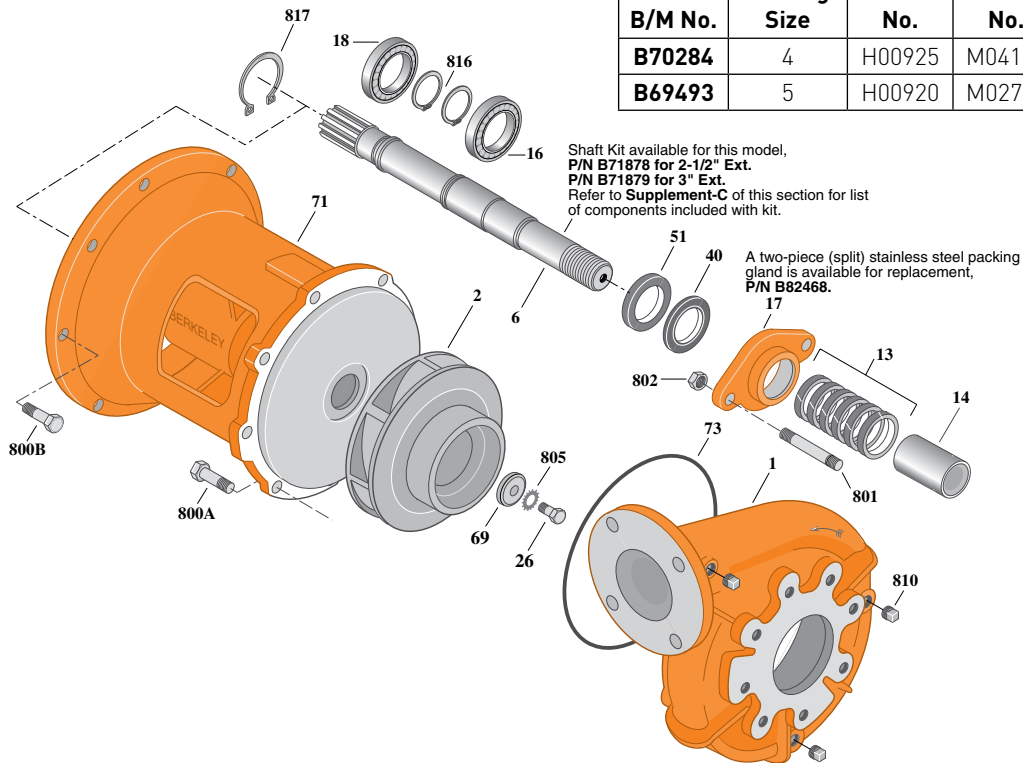
### Flanged Case, Packing Construction

## SAE ENGINE MOUNT

Section	SAE
Page	80.3
Date	March 4, 2013
Supersedes 07/01/11	

**Table I**

B/M No.	SAE Mtg. Size	Bracket No.	Shaft No.	Shaft Spline No.	Shaft Ext.
<b>B70284</b>	4	H00925	M04154	1-3/8-10T	3"
<b>B69493</b>	5	H00920	M02711	1-3/8-10T	2-1/2"



1961A 1210

Item No.	Part Description	Part Number
1	Case, Volute	H05130
2	Impeller	M02153
6	Shaft [See Note]	See Table I
13	Ring, Packing [Set of 6]	S14022
14	Sleeve, Shaft	S05127
16	Bearing, Ball	S13270
17	Gland, Packing [See Note]	S04948
18	Bearing, Ball	S14059
26	Screw, Impeller 3/8-16x1"	S23566
40	Slinger, Water	S12260
51	Seal, Oil	S14762
69	Washer, Impeller	S06314
71	Bracket	See Table I
73	O-Ring [See Note]	M14943
800A	Capscrew, Hex 3/8-16x1" [8 Req.]	S26826
800B	Capscrew, Hex 3/8-16x1-1/4" [12 Req. - SAE 4]	S26828

Item No.	Part Description	Part Number
800B	Capscrew, Hex 3/8-16x1-1/4" [7 Req. - SAE 5]	S26828
801	Stud, 3/8-16x3" [2 Req.]	S04439
802	Nut, Hex 3/8-16 [2 Req.]	S23343
805	Washer, Lock	S23036
810	Plug, Pipe, 1/4 NPT [3 Req.]	S23715
816	Ring, Retaining [2 Req.]	S23010
817	Ring, Retaining	S24652
•	Fitting, Grease	S23700

• Not illustrated.

**NOTE:** Also accepts gasket **S05126** as replacement for O-Ring. See **Supplement E** located at the beginning of this section.



# BERKELEY® B3ZQMS

## Cast Iron Impeller

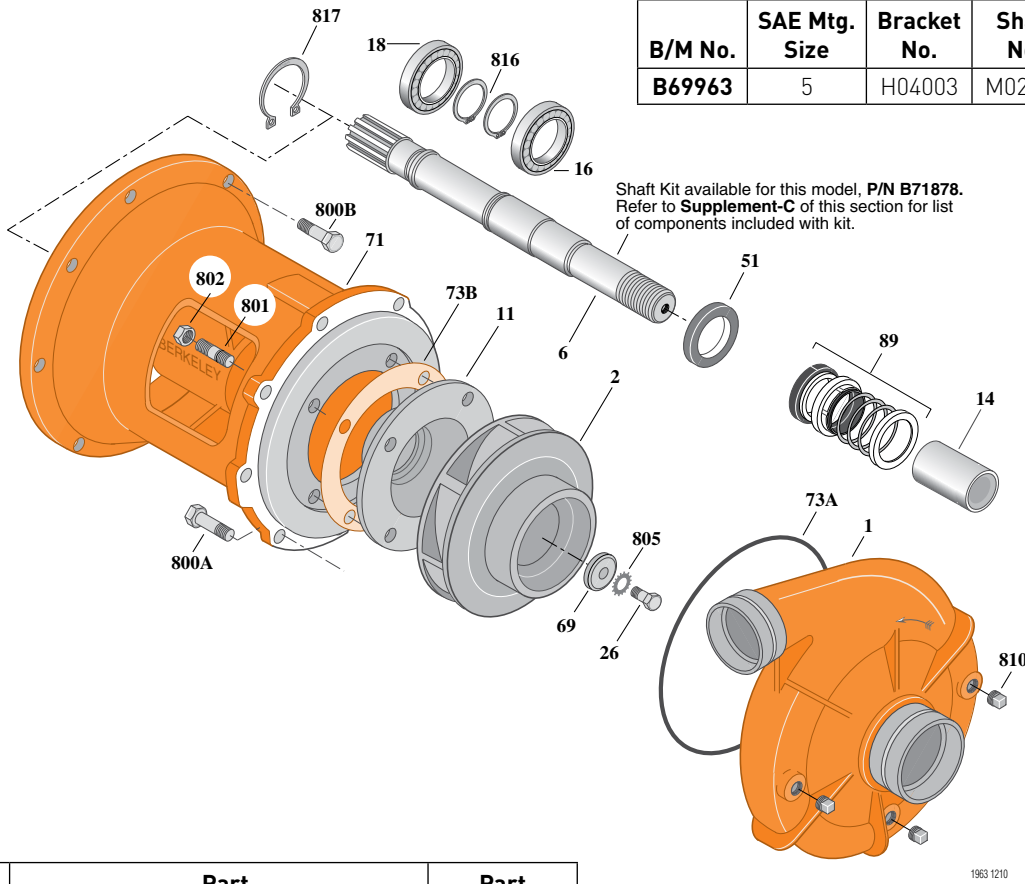
Victaulic Case, Mechanical Seal Construction

### SAE ENGINE MOUNT

Section	SAE
Page	80.4
Date	March 4, 2013
Supersedes 07/01/11	

**Table I**

B/M No.	SAE Mtg. Size	Bracket No.	Shaft No.	Shaft Spline No.	Shaft Ext.
B69963	5	H04003	M02711	1-3/8-10T	2-1/2"



Item No.	Part Description	Part Number
1	Case, Volute	H04040
2	Impeller	M04275
6	Shaft [See Note]	See Table I
11	Seal, Retainer	M06063
14	Sleeve, Shaft	S05127
16	Bearing, Ball	S13270
18	Bearing, Ball	S14059
26	Screw, Impeller 3/8-16x1"	S23566
51	Seal, Oil	S14762
69	Washer, Impeller	S06314
71	Bracket	See Table I
73A	O-Ring [See Note]	M14943
73B	Gasket, Seal Retainer	S16800
89	Seal, Mechanical Shaft	S32690
800A	Capscrew, Hex 3/8-16x7/8" [8 Req.]	S26825

Item No.	Part Description	Part Number
800B	Capscrew, Hex 3/8-16x1" [7 Req.]	S26826
801	Stud, 3/8-16x1-1/4" [4 Req.]	S23944
802	Nut, Hex 3/8-16 [4 Req.]	S23103
805	Washer, Lock	S23036
810	Plug, Pipe, 1/4 NPT [3 Req.]	S23715
816	Ring, Retaining [2 Req.]	S23010
817	Ring, Retaining	S24652
•	Fitting, Grease	S23700

• Not illustrated.

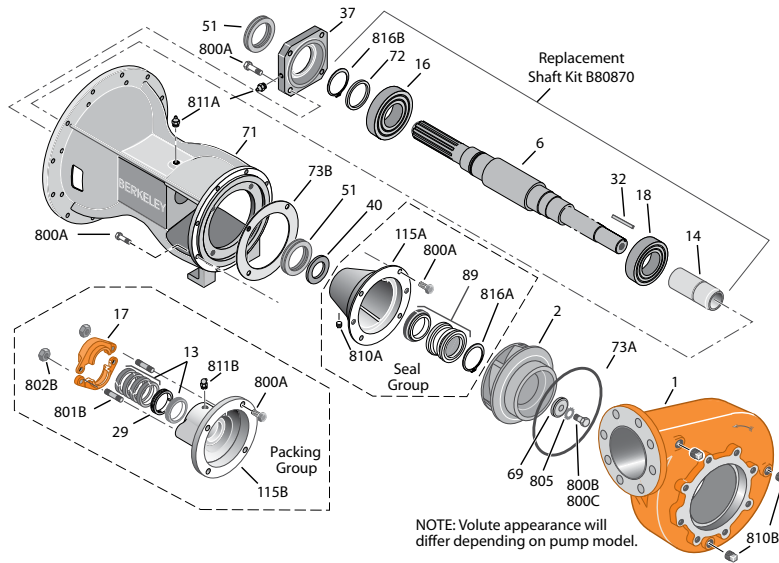
**NOTE:** Also accepts gasket **S05126** as replacement for O-Ring. See **Supplement E** located at the beginning of this section.



# BERKELEY® B3ZQM(S) Cast Iron Impeller

SAE ENGINE MOUNT

Section	SAE
Page	80.5
Date	March 4, 2013
Supersedes 01/01/04	



## B3ZQ Common Parts Groups Repair Parts List

Item No.	Part Description	Part Number
2	Impeller	M02911
6	Shaft, 1-1/2-10T SAE*	M12339
14	1-3/8 ID x 1-3/4 OD Shaft Sleeve	M12422
16	Single Row Ball Bearing	S13395
18	Ball Bearing	S13397
32	Shaft Key, 1/4" Sq. x 2-1/4" Lg.	S23677
37	Bearing Cap	M12335
40	Water Slinger	S10964
51	Grease Seal [2 Req.]	M12337
69	Lock Washer	S06319
71	Bracket	M12331
72	Thrust Ring	S06519
73A	Volute Gasket	S05126
73B	Balance Ring Gasket	S09943
800A	3/8-16 x 1" Lg. Hex Hd Capscrew (16 Req.)	S26826
800B	1/2-13 X 1" Lg Hex Hd. Capscrew	S23621
805	Lock Washer	S23038
811A	Grease Fitting [2 Req.]	S23700
816B	External Retaining Ring	S23016

\* Sold only in Shaft Repair Kit B80870.

### Packing Components

Item No.	Part Description	Part Number
13	Packing Ring Set	†
17	Split Packing Gland Set	B82470
29	Lantern Ring	S19200
115B	Packing Housing	M12334
801B	3/8-16NC x 2-1/2" Lg Stud [2 Req.]	S04438
802B	3/8-16 Hex Nut [2 Req.]	S23343
811B	1/8 MPT x 90° Grease Fitting	S23702

† See Supplement B.

### Seal Components

Item No.	Part Description	Part Number
89	1-3/4" Mechanical Shaft Seal	S32015
115A	Mechanical Seal Housing	M12333
810A	1/8" NPT Sq. Hd. Pipe Plug	S23714
816A	External Retaining Ring	S16767

Refer to following page for model specific repair parts listing.





# BERKELEY® B3ZQM(S)

## Cast Iron Impeller

SAE ENGINE MOUNT

Section	SAE
Page	80.6
Date	March 4, 2013
Supersedes 01/01/04	

### B3ZQM(S) Series 1-1/2" x 10T, SAE 4 & 5

Pump Series	Catalog Number	Style	Volute	Pipe Plugs	Part Number	Replacement Shaft Kit	Replacement Coupling	Clutch Size	
B3ZQM Packing Construction	B80830	4" x 9" Flanged Suction 3" x 7-1/2" Flanged Discharge	H05130*	1/4" NPT QTY. 3	S23715	B80870	B80828	7.5"	
	B80831						B80829	6.5"	
	B80832						B77599	10"	
	B80833						B80827	8"	
	B80834	4" Victaulic Suction 3" Victaulic Discharge	H04040*	1/4" NPT QTY. 3	S23715		B80828	7.5"	
	B80835						B80829	6.5"	
	B80836						B80828	7.5"	
	B80837	H04040*	1/2" NPT QTY. 1	S23717	B80828		7.5"		
	B80838	4" NPT Suction 3" NPT Discharge	H00689*	1/4" NPT QTY. 4	S23715		B80828	7.5"	
	B80839						B80829	6.5"	
	B80840						B77599	10"	
	B80841						B80827	8"	
	B80842						B3ZQMS Mechanical Seal Construction	4" x 9" Flanged Suction 3" x 7-1/2" Flanged Discharge	H05130*
	B80843	B80829	6.5"						
B80844	B77599	10"							
B80845	B80827	8"							
B80846	4" Victaulic Suction 3" Victaulic Discharge	H04040*	1/4" NPT QTY. 3	S23715	B80828	7.5"			
B80847					B80829	6.5"			
B80848					B80828	7.5"			
B80849	H04040*	1/2" NPT QTY. 1	S23717	B80828	7.5"				
B80850	4" NPT Suction 3" NPT Discharge	H00689*	1/4" NPT QTY. 4	S23715	B80828	7.5"			
B80851					B80829	6.5"			
B80852					B77599	10"			
B80853					B80827	8"			

\* NOTE: Also accepts gasket S05126 as replacement O-Ring. See **Supplement E** located at the beginning of this section.



# BERKELEY® B3EQBL

## SAE ENGINE MOUNT

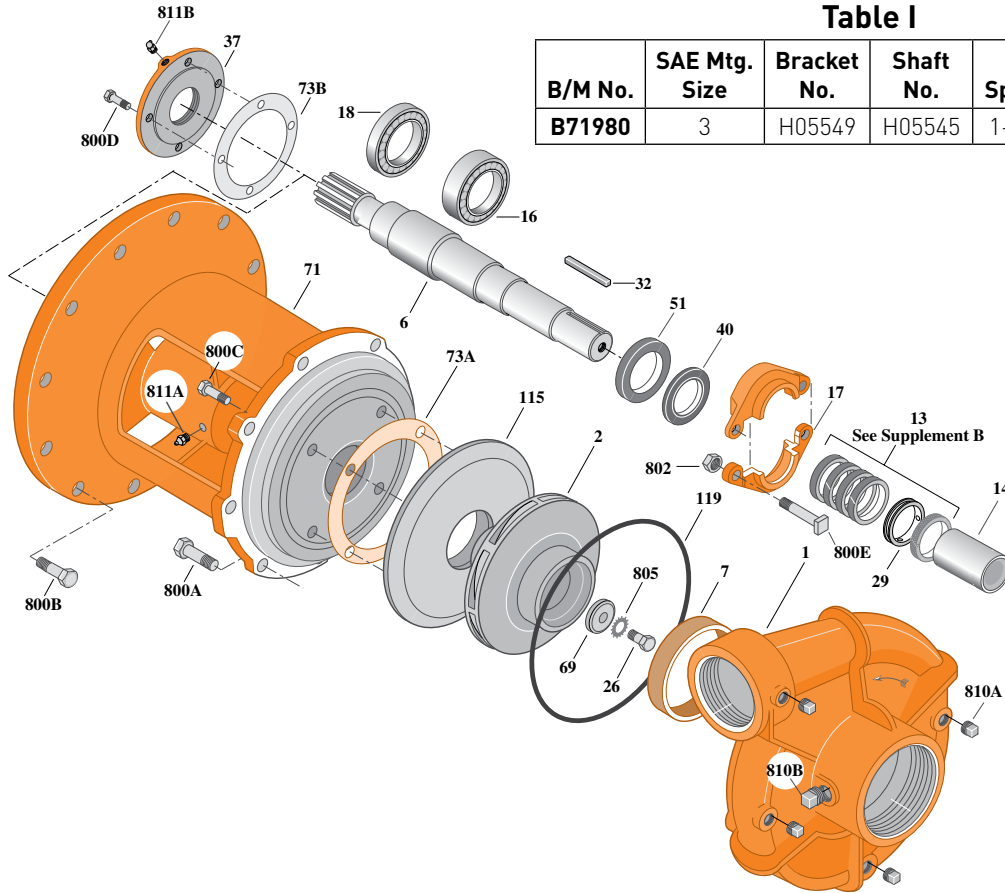
### Cast Iron Impeller

Threaded Case (NPT), Packing Construction

Section	SAE
Page	90.1
Date	March 4, 2013
Supersedes 01/01/04	

**Table I**

B/M No.	SAE Mtg. Size	Bracket No.	Shaft No.	Shaft Spline No.	Shaft Ext.
B71980	3	H05549	H05545	1-3/8-10T	3"



Item No.	Part Description	Part Number
1	Case, Volute	H02087
2	Impeller	M07316
6	Shaft	See Table I
7	Ring, Wearing	S06860
13	Ring, Packing (Set of 4)	S13436
14	Sleeve, Shaft	S05974
16	Bearing, Ball	S13396
17	Gland, Packing	B82472
18	Bearing, Ball	S13395
26	Screw, Impeller 1/2-13x1-1/4"	S23621
29	Ring, Lantern	S18993
32	Key, 1/4 x 2-1/4"	S23677
37	Outer Bearing Cap	M10979
40	Slinger, Water	S10964
51	Seal, Oil	S14765
69	Washer, Impeller	S18117

Item No.	Part Description	Part Number
71	Bracket	See Table I
73A	Gasket, Balance Ring	S09943
73B	Gasket	S18055
115	Ring, Balance	L03648
119	O-Ring	S13760
800A	Capscrew, Hex 1/2-13x1-1/4" (8 Req.)	S26914
800B	Capscrew, Hex 3/8-16x1-1/2" (12 Req.)	S26830
800C	Capscrew, Hex 3/8-16x1-1/4" (4 Req.)	S26828
800D	Capscrew, Hex 1/4-20x3/4" (4 Req.)	S23119
800E	Bolt, Sq. Head 1/2-13x2-3/4" (2 Req.)	S23794
802	Nut, Hex 1/2-13x7/16" (2 Req.)	S23347
805	Washer, Lock	S23038
810A	Plug, Pipe 1/4 NPT (4 Req.)	S23715
810B	Plug, Pipe 1/2 NPT	S23717
811A	Fitting, Grease	S23670
811B	Fitting, Grease	S23702



# BERKELEY® B3EQBL

SAE ENGINE MOUNT

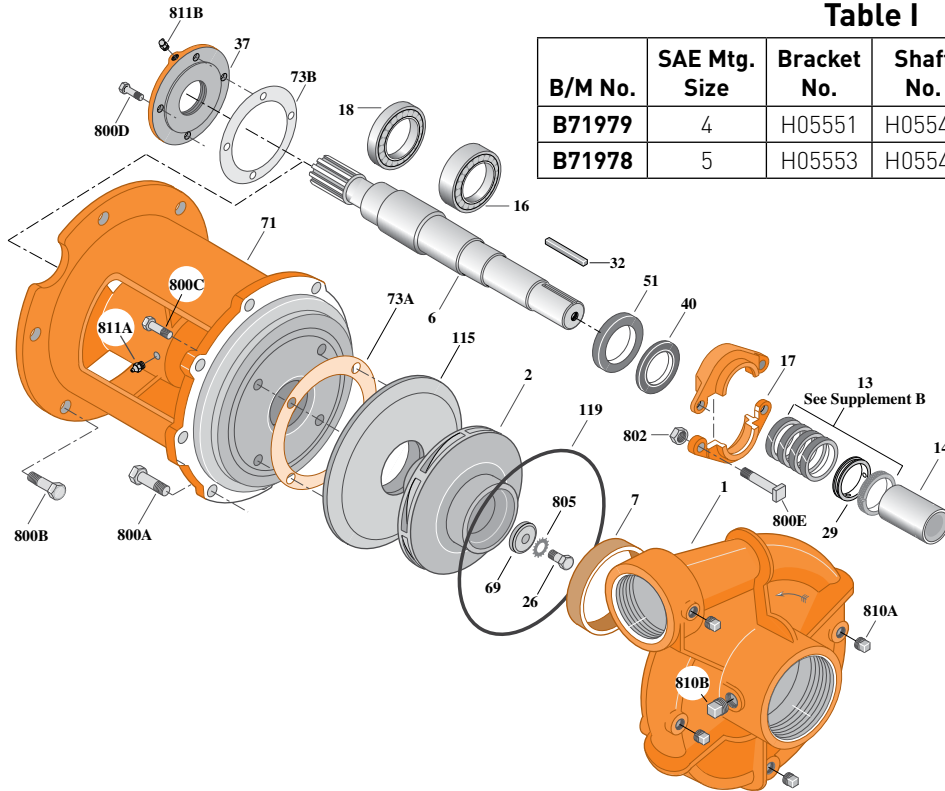
## Cast Iron Impeller

Threaded Case (NPT), Packing Construction

Section	SAE
Page	90.2
Date	March 4, 2013
Supersedes 01/01/04	

Table I

B/M No.	SAE Mtg. Size	Bracket No.	Shaft No.	Shaft Spline No.	Shaft Ext.
B71979	4	H05551	H05546	1-3/8-10T	3"
B71978	5	H05553	H05544	1-3/8-10T	2-1/2"



Item No.	Part Description	Part Number
1	Case, Volute	H02087
2	Impeller	M07316
6	Shaft	See Table I
7	Ring, Wearing	S06860
13	Ring, Packing [Set of 4]	S13436
14	Sleeve, Shaft	S05974
16	Bearing, Ball	S13396
17	Gland, Packing	B82472
18	Bearing, Ball	S13395
26	Screw, Impeller 1/2-13x1-1/4"	S23621
29	Ring, Lantern	S18993
32	Key, 1/4x2-1/4"	S23677
37	Outer Bearing Cap	M10979
40	Slinger, Water	S10964
51	Seal, Oil	S14765
69	Washer, Impeller	S18117
71	Bracket	See Table I
73A	Gasket, Balance Ring	S09943

Item No.	Part Description	Part Number
73B	Gasket	S18055
115	Ring, Balance	L03648
119	O-Ring	S13760
800A	Capscrew, Hex 1/2-13x1-1/4" [8 Req.]	S26914
800B	Capscrew, Hex 3/8-16x1-1/4" [12 Req. - SAE 4]	S26828
800B	Capscrew, Hex 3/8-16x1" [11 Req. - SAE 5]	S26826
800C	Capscrew, Hex 3/8-16x1" [4 Req. - SAE 4]	S26826
800D	Capscrew, Hex 1/4-20x3/4" [4 Req.]	S23119
800E	Bolt, Sq. Head 1/2-13x2-3/4" [2 Req.]	S23794
802	Nut, Hex 1/2-13x7/16" [2 Req.]	S23347
805	Washer, Lock	S23038
810A	Plug, Pipe 1/4 NPT [4 Req.]	S23715
810B	Plug, Pipe 1/2 NPT	S23717
811A	Fitting, Grease	S23670
811B	Fitting, Grease	S23702



# BERKELEY® B3JQBM

## SAE ENGINE MOUNT

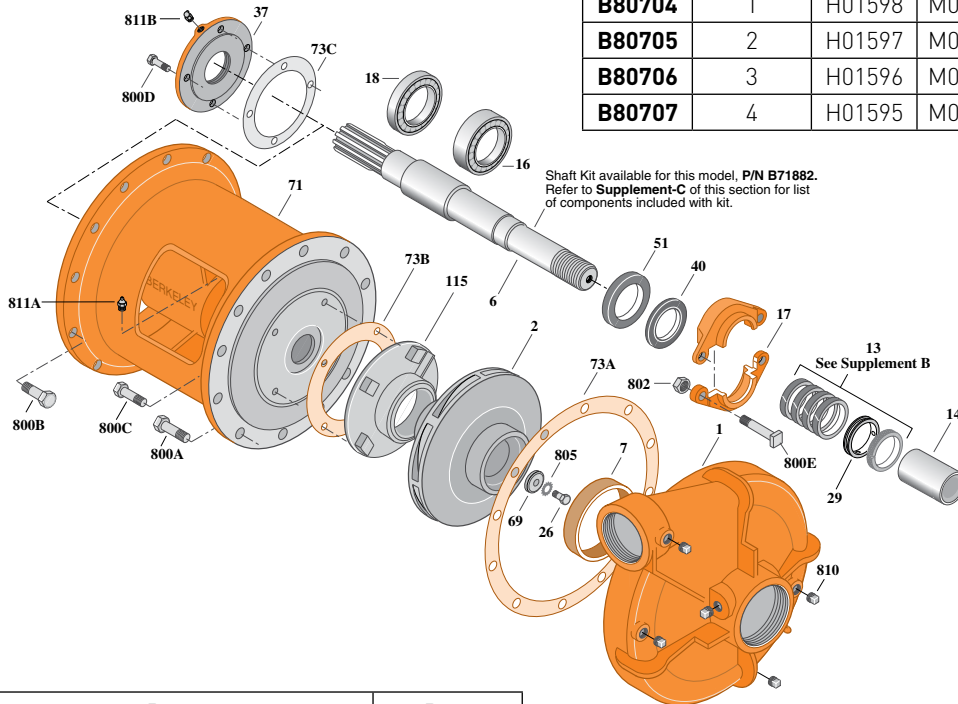
### Cast Iron Impeller

Threaded Case (NPT), Packing Construction

Section	SAE
Page	100.1.2
Date	March 4, 2013
Supersedes 01/01/04	

**Table I**

B/M No.	SAE Mtg. Size	Bracket No.	Shaft No.	Shaft Spline No.	Shaft Ext.
<b>B80704</b>	1	H01598	M06183	1-1/2-10T	3"
<b>B80705</b>	2	H01597	M06183	1-1/2-10T	3"
<b>B80706</b>	3	H01596	M06183	1-1/2-10T	3"
<b>B80707</b>	4	H01595	M06183	1-1/2-10T	3"



Item No.	Part Description	Part Number
1	Case, Volute	H01863
2	Impeller	L03038
6	Shaft (See Note)	See Table I
7	Ring, Wearing	S04176
13	Ring, Packing (Set of 4)	S13436
14	Sleeve, Shaft	S05974
16	Bearing, Ball	S13396
17	Gland, Packing	B82472
18	Bearing, Ball	S13395
26	Screw, Impeller 1/2-13x1-1/2"	S23623
29	Ring, Lantern	S18993
37	Outer Bearing Cap	M04998
40	Slinger, Water	S10964
51	Seal, Oil	S14765
69	Washer, Impeller	S06319
71	Bracket	See Table I

Item No.	Part Description	Part Number
73A	Gasket, Volute	S06271
73B	Gasket, Balance Ring	S09943
73C	Gasket	S18055
115	Ring, Balance	M05115
800A	Capscrew, Hex 5/8-20x1-1/2" [12 Req.]	S26999
800B	Capscrew, Hex 3/8-16x1-1/4" [12 Req.]	S26828
800C	Capscrew, Hex 3/8-16x1" [4 Req.]	S26826
800D	Capscrew, Hex 1/4-20x3/4" [4 Req.]	S23119
800E	Bolt, Sq. Head 1/2-13x2-3/4" [2 Req.]	S22794
802	Nut, Hex 1/2-13x7/16" [2 Req.]	S23347
805	Washer, Lock	S23038
810	Plug, Pipe 1/2 NPT [6 Req.]	S23717
811A	Fitting, Grease	S23670
811B	Fitting, Grease	S23702
•	Fitting, Grease	S23700

• Not illustrated.



# BERKELEY® B3JQBM

## Cast Iron Impeller

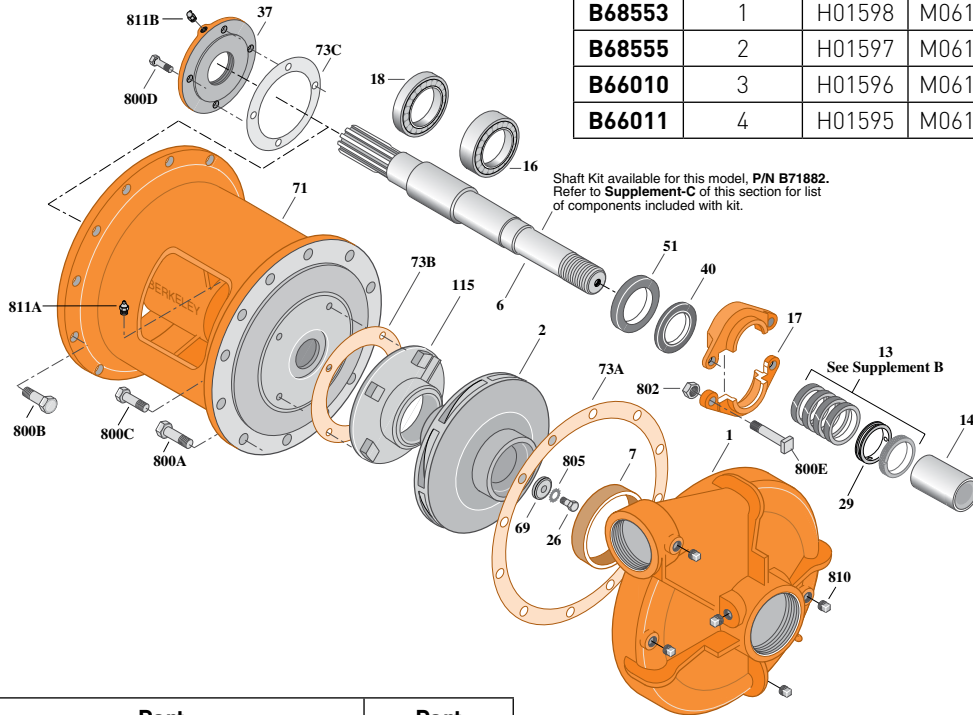
Threaded Case (NPT), Packing Construction

SAE ENGINE MOUNT

Section	SAE
Page	100.1
Date	March 4, 2013
Supersedes 01/01/04	

Table I

B/M No.	SAE Mtg. Size	Bracket No.	Shaft No.	Shaft Spline No.	Shaft Ext.
B68553	1	H01598	M06186	1-3/8-10T	3"
B68555	2	H01597	M06186	1-3/8-10T	3"
B66010	3	H01596	M06186	1-3/8-10T	3"
B66011	4	H01595	M06186	1-3/8-10T	3"



Item No.	Part Description	Part Number
1	Case, Volute	H01863
2	Impeller	L03038
6	Shaft (See Note)	See Table I
7	Ring, Wearing	S04176
13	Ring, Packing (Set of 4)	S13436
14	Sleeve, Shaft	S05974
16	Bearing, Ball	S13396
17	Gland, Packing	B82472
18	Bearing, Ball	S13395
26	Screw, Impeller 1/2-13x1-1/2"	S23623
29	Ring, Lantern	S18993
37	Outer Bearing Cap	M04998
40	Slinger, Water	S10964
51	Seal, Oil	S14765
69	Washer, Impeller	S06319
71	Bracket	See Table I

Item No.	Part Description	Part Number
73A	Gasket, Volute	S06271
73B	Gasket, Balance Ring	S09943
73C	Gasket	S18055
115	Ring, Balance	M05115
800A	Capscrew, Hex 5/8-20x1-1/2" (12 Req.)	S26999
800B	Capscrew, Hex 3/8-16x1-1/4" (12 Req.)	S26828
800C	Capscrew, Hex 3/8-16x1" (4 Req.)	S26826
800D	Capscrew, Hex 1/4-20x3/4" (4 Req.)	S23119
800E	Bolt, Sq. Head 1/2-13x2-3/4" (2 Req.)	S22794
802	Nut, Hex 1/2-13x7/16" (2 Req.)	S23347
805	Washer, Lock	S23038
810	Plug, Pipe 1/2 NPT (6 Req.)	S23717
811A	Fitting, Grease	S23670
811B	Fitting, Grease	S23702
•	Fitting, Grease	S23700

• Not illustrated.



# BERKELEY® B3JQBM

## Cast Iron Impeller

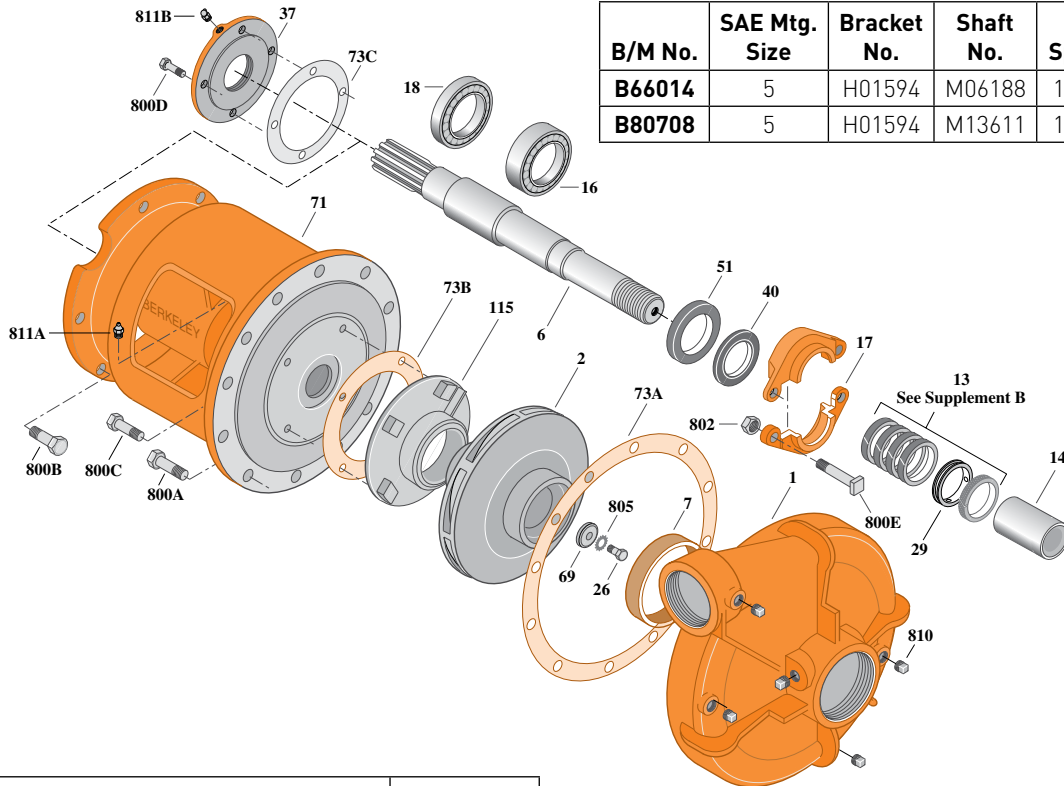
Threaded Case (NPT), Packing Construction

### SAE ENGINE MOUNT

Section	SAE
Page	100.2
Date	March 4, 2013
Supersedes 01/01/04	

**Table I**

B/M No.	SAE Mtg. Size	Bracket No.	Shaft No.	Shaft Spline No.	Shaft Ext.
<b>B66014</b>	5	H01594	M06188	1-3/8-10T	2-1/2"
<b>B80708</b>	5	H01594	M13611	1-1/2-10T	2-1/2"



Item No.	Part Description	Part Number
1	Case, Volute	H01863
2	Impeller	L03038
6	Shaft	See Table I
7	Ring, Wearing	S04176
13	Ring, Packing (Set of 4)	S13436
14	Sleeve, Shaft	S05974
16	Bearing, Ball	S13396
17	Gland, Packing	B82472
18	Bearing, Ball	S13395
26	Screw, Impeller 1/2-13x1-1/2"	S23623
29	Ring, Lantern	S18993
37	Outer Bearing Cap	M04998
40	Slinger, Water	S10964
51	Seal, Oil	S14765
69	Washer, Impeller	S06319
71	Bracket	See Table I

Item No.	Part Description	Part Number
73A	Gasket, Volute	S06271
73B	Gasket, Balance Ring	S09943
73C	Gasket	S18055
115	Ring, Balance	M05115
800A	Capscrew, Hex 5/8-11x1-1/2" (12 Req.)	S26999
800B	Capscrew, Hex 3/8-16x1-1/4" (8 Req.)	S26828
800C	Capscrew, Hex 3/8-16x1" (4 Req.)	S26826
800D	Capscrew, Hex 1/4-20x3/4" (4 Req.)	S23119
800E	Bolt, Sq. Head 1/2-13x2-3/4" (2 Req.)	S23794
802	Nut, Hex 1/2-13x7/16" (2 Req.)	S23347
805	Washer, Lock	S23038
810	Plug, Pipe 1/2 NPT (6 Req.)	S23717
811A	Fitting, Grease	S23670
811B	Fitting, Grease	S23702
•	Fitting, Grease	S23700

• Not illustrated.





# BERKELEY® B3JQBMS

SAE ENGINE MOUNT

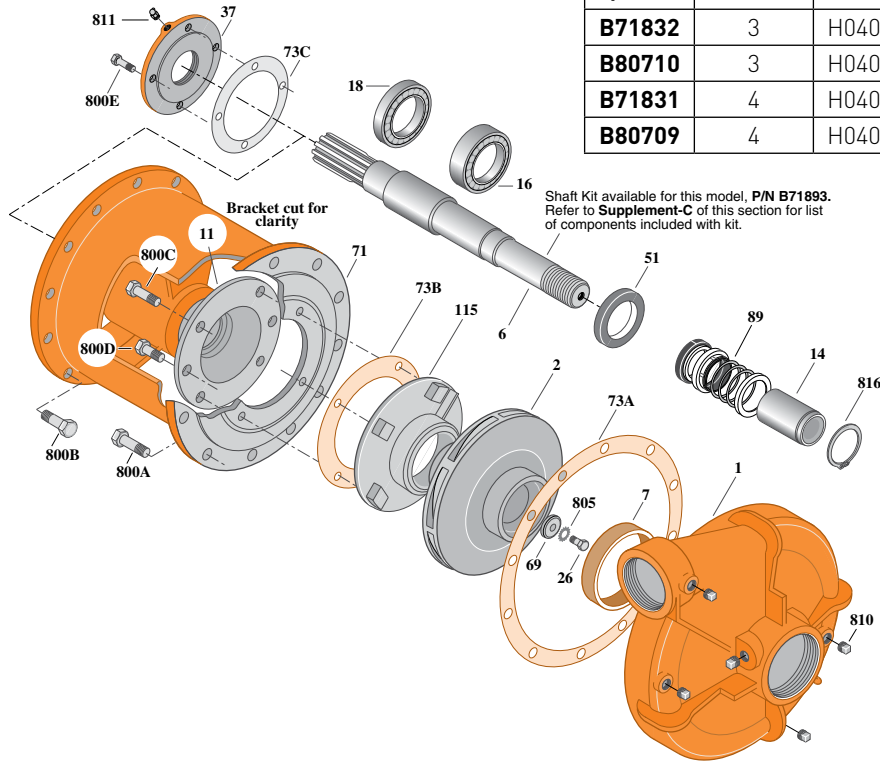
## Cast Iron Impeller

Threaded Case (NPT), Mechanical Seal Construction

Section	SAE
Page	100.3
Date	March 4, 2013
Supersedes 01/01/04	

Table I

B/M No.	SAE Mtg. Size	Bracket No.	Shaft No.	Shaft Spline No.	Shaft Ext.
<b>B71832</b>	3	H04012	M06186	1-3/8-10T	3"
<b>B80710</b>	3	H04012	M06183	1-1/2-10T	3"
<b>B71831</b>	4	H04013	M06186	1-3/8-10T	3"
<b>B80709</b>	4	H04013	M06183	1-1/2-10T	3"



Item No.	Part Description	Part Number
1	Case, Volute	H01863
2	Impeller	L03038
6	Shaft (See Note)	See Table I
7	Ring, Wearing	S04176
11	Retainer, Mechanical Seal	M07603
14	Sleeve, Shaft	S33429
16	Bearing, Ball	S13396
18	Bearing, Ball	S13395
26	Screw, Impeller 1/2-13x1-1/2"	S23623
37	Outer Bearing Cap	M04998
51	Seal, Oil	S14765
69	Washer, Impeller	S06319
71	Bracket	See Table I
73A	Gasket, Volute	S06271

Item No.	Part Description	Part Number
73B	Gasket, Balance Ring	S09943
73C	Gasket	S18055
89	Seal, Mechanical Shaft	S32694
115	Ring, Balance	M05073
800A	Capscrew, Hex 5/8-11x1-1/2" [12 Req.]	S26999
800B	Capscrew, Hex 3/8-16x1-1/4" [12 Req.]	S26828
800C	Capscrew, Hex 3/8-16x1" [4 Req.]	S26826
800D	Capscrew, Hex 3/8-16x5/8" [2 Req.]	S39853
800E	Capscrew, Hex 1/4-20x3/4" [4 Req.]	S23119
805	Washer, Lock	S23038
810	Plug, Pipe 1/2 NPT [6 Req.]	S23717
811	Fitting, Grease	S23702
816	Ring, Retaining	S29341
•	Fitting, Grease	S23670

• Not illustrated.



# BERKELEY® B3JQBMS

SAE ENGINE MOUNT

## Cast Iron Impeller

Threaded Case (NPT), Mechanical Shaft Seal Construction

Section	SAE
Page	100.4
Date	March 4, 2013
Supersedes 01/01/12	

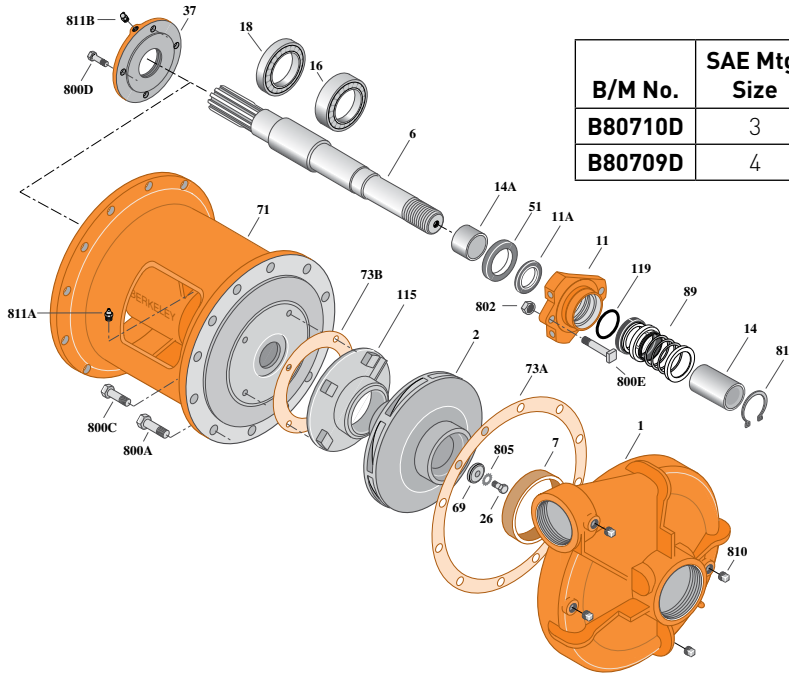


Table I

B/M No.	SAE Mtg. Size	Bracket No.	Shaft No.	Shaft Spline No.	Shaft Ext.
B80710D	3	M14966	M06183	1-1/2-10T	3"
B80709D	4	M14965	M06183	1-1/2-10T	3"

Item No.	Part Description	Part Number
1	Case, Volute	H01863
2	Impeller	L03038
6	Shaft	See Table 1
7	Ring, Wearing	S04176
11	Retainer, Mechanical Shaft Seal, Dry Run	M14959
11A	Dry run Gland Lip Seal	M12337
14	Sleeve, Shaft	S33429L
14A	Sleeve, Shaft	M14971
16	Bearing, Ball	S13396
18	Bearing, Ball	S13395
26	Screw, Impeller 1/2-13x1-1/2"	S23623
37	Outer Bearing Cap Assembly	M04998
51	Seal, Oil	S14765
69	Washer, Impeller	S06319
71	Bracket	See Table 1
73A	Gasket, Volute	S06271
73B	Gasket, Balance Ring	S09943
89	Seal, Mechanical Shaft	S32693
115	Ring, Balance	M06646
119	O-Ring	M14972

Item No.	Part Description	Part Number
800A	Capscrew, Hex 5/8-11x1-1/2" [10 Rqd.]	S26999
800A	Capscrew, Hex 5/8-11x1-3/4" [2 Rqd.] top Ctr	S27001
800C	Capscrew, Hex 3/8-16x1" [4 Rqd.]	S26826
800D	Capscrew, Hex 1/4-20x3/4" [4 Rqd.]	S23119
800E	Bolt, Sq. Head 1/2-13x2-1/4" [2 Rqd.]	S23792
802	Nut, Hex 1/2-13 [2 Rqd.]	S23347
805	Washer, Lock	S23038
810	Plug, Pipe 1/2 NPT [4 Rqd.]	S23717
811A	Fitting, Grease	S23670
811B	Fitting, Grease	S23702
816	Ring, Retaining	S29341

**NOTE 1: Shaft Replacement Kit** is available for this model. Berkeley part number **B71894**. Pump shaft sold in replacement kit only. Refer to **Supplement C** for shaft kit components.

**NOTE 2:** Refer to **Supplement F** for dry run tank repair parts. Dry run lubrication system requires one gallon of food grade hydraulic oil (FGHO), viscosity 150 SSU at 100° F. Oil not supplied, purchase locally.



# BERKELEY® B4ZQBH

## Cast Iron Impeller

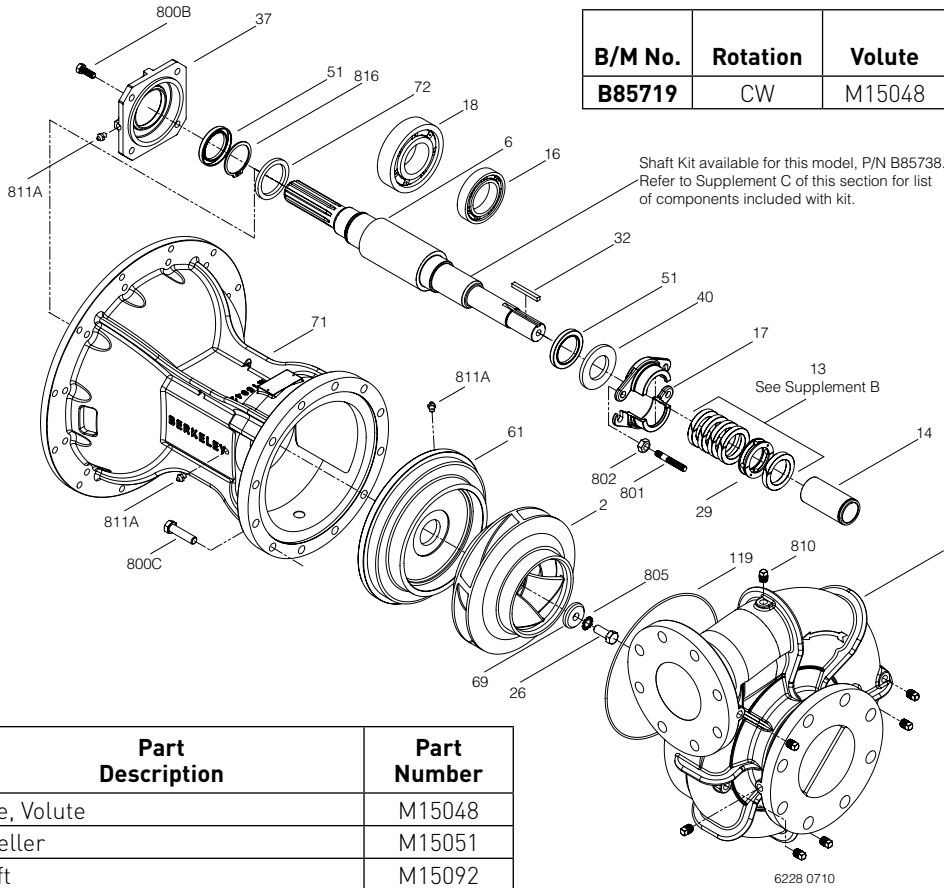
Flanged Case, Packing Construction

SAE ENGINE MOUNT

Section	SAE
Page	107.1
Date	March 4, 2013
Supersedes 08/17/10	

**Table I**

B/M No.	Rotation	Volute	Impeller	Impeller Diameter
B85719	CW	M15048	M15051	9.50"



Item No.	Part Description	Part Number
1	Case, Volute	M15048
2	Impeller	M15051
6	Shaft	M15092
13	Ring, Packing (Set of 4)	S13435
14	Sleeve, Shaft (Note 3)	B85741
16	Bearing, Ball	M15097
17	Gland, Packing	B82470
18	Bearing, Ball	S13754
26	Screw, Impeller	S23621
29	Ring, Lantern	S19200
32	Key, 1/4" x 2-1/4"	S23677
37	Outer Bearing Cap	M15054
40	Slinger, Water	S10964
51	Seal, Oil (2 rqd)	M12337
61	Plate, Seal	M15047
69	Washer, Impeller	S06319
71	Bracket	M15042
72	Ring, Thrust	M15095
119	O-Ring	M15099
800B	Screw, 3/8-16 x 1" LG CRS (4 rqd)	S26826
800C	Screw, 1/2-13NC x 2" LG CRS (12 rqd)	S26920

Item No.	Part Description	Part Number
801	Stud, 3/8-16NC x 2-1/2" LG 416SS (2 rqd)	S04438
802	Nut, Hex, Lock 3/8-16 SS (2 rqd)	M13771
805	Washer, Lock	S23038
810	Plug, Pipe	S23715
811A	Fitting, Grease (2 rqd)	S23700
811B	Fitting, Grease	S23702
816	Ring, Retaining	M15094

**NOTE 1: Shaft replacement kit B85738** includes items 6, 14, 16, 18, 26, 32, 40, 51, 69, 72, 805, 816.

**NOTE 2: Impeller kit B85754** includes items 26, 32, 69, 119, 805.

**NOTE 3: Shaft sleeve kit B85741** includes item 14, adhesive and instruction sheet.



# BERKELEY® B4ZQBHS

SAE ENGINE MOUNT

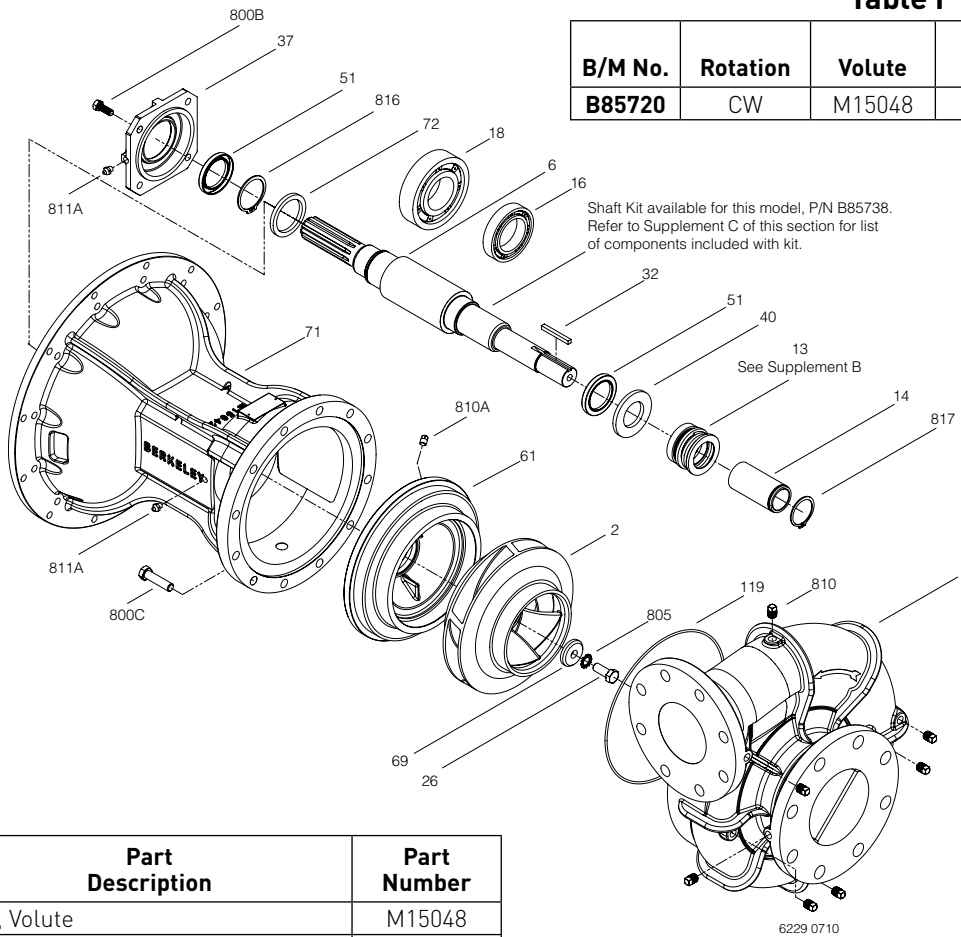
## Cast Iron Impeller

Flanged Case, Mechanical Shaft Seal Construction

Section	SAE
Page	107.2
Date	March 4, 2013
Supersedes 08/17/10	

Table I

B/M No.	Rotation	Volute	Impeller	Impeller Diameter
B85720	CW	M15048	M15051	9.50"



Item No.	Part Description	Part Number
1	Case, Volute	M15048
2	Impeller	M15051
6	Shaft	M15092
13	Seal, Shaft	S32015
14	Sleeve, Shaft (Note 3)	B85741
16	Bearing, Ball	M15097
18	Bearing, Ball	S13754
26	Screw, Impeller	S23621
32	Key, 1/4" x 2-1/4"	S23677
37	Outer Bearing Cap	M15054
40	Slinger, Water	S10964
51	Seal, Grease (2 rqd)	M12337
61	Plate, Seal	M15046
69	Washer, Lock	S06319
71	Bracket	M15042
72	Ring, Thrust	M15095
119	O-Ring	M15099
800B	Screw, 3/8-16 x 1" LG CRS (4 rqd)	S26826

Item No.	Part Description	Part Number
800C	Screw, 1/2-13NC x 2" LG CRS (12 rqd)	S26920
805	Washer, Lock	S23038
810	Plug, Pipe	S23715
810A	Plug, Pipe	U78-56ZPS
811A	Fitting, Grease (2 rqd)	S23700
816	Ring, Retaining	M15094
817	Ring, Retaining	S16767

**NOTE 1: Shaft replacement kit B85738** includes items 6, 14, 16, 18, 26, 32, 40, 51, 69, 72, 805, 816.

**NOTE 2: Impeller kit B85754** includes items 26, 32, 69, 119, 805.

**NOTE 3: Shaft sleeve kit B85741** includes item 14, adhesive and instruction sheet.



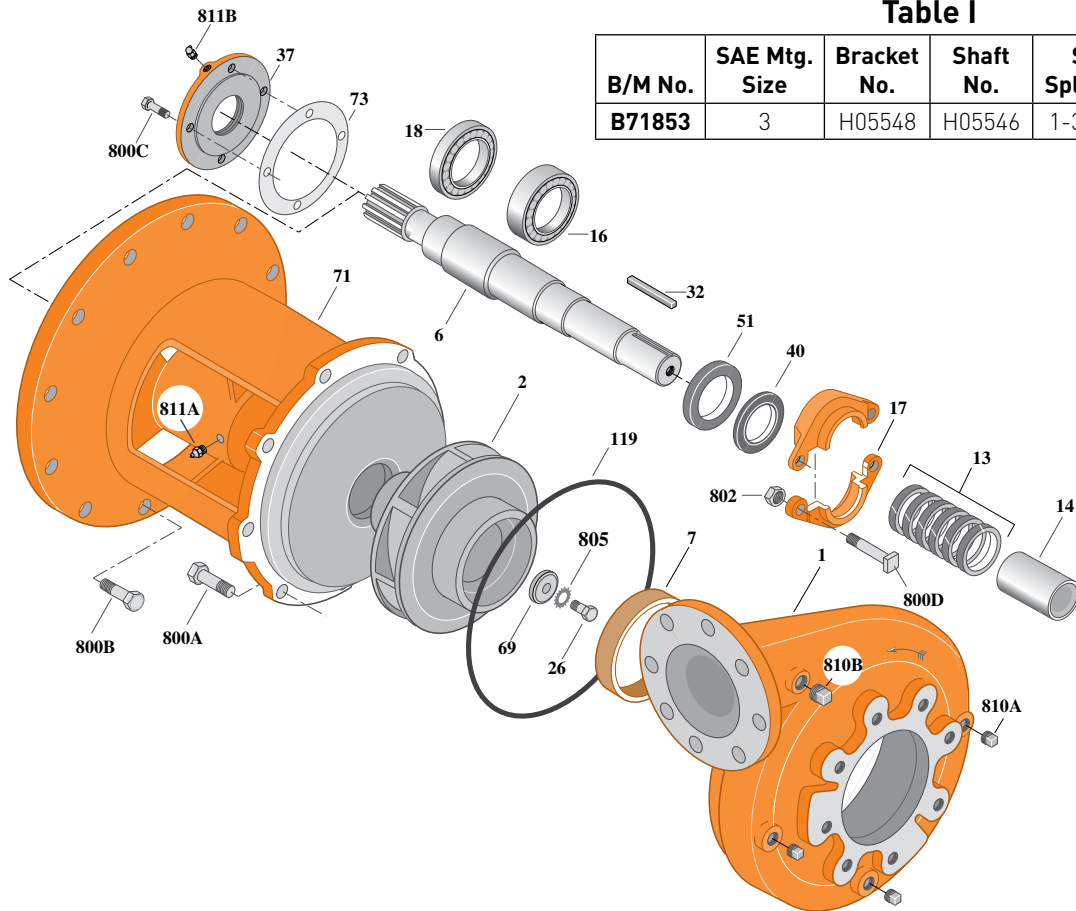
# BERKELEY® B4EQM

## Cast Iron Impeller

Flanged Case, Packing Construction

### SAE ENGINE MOUNT

Section	SAE
Page	110.1
Date	March 4, 2013
Supersedes 01/01/04	



**Table I**

B/M No.	SAE Mtg. Size	Bracket No.	Shaft No.	Shaft Spline No.	Shaft Ext.
<b>B71853</b>	3	H05548	H05546	1-3/8-10T	3"

Item No.	Part Description	Part Number
1	Case, Volute	H01939
2	Impeller	M04821
6	Shaft	See Table I
7	Ring, Wearing	S13061
13	Ring, Packing [Set of 6]	S14023
14	Sleeve, Shaft	S05974
16	Bearing, Ball	S13396
17	Gland, Packing	B82472
18	Bearing, Ball	S13395
26	Screw, Impeller 1/2-13x1-1/2"	S23623
32	Key, 1/4 x 2-1/4"	S23677
37	Outer Bearing Cap	M10979
40	Slinger, Water	S10964
51	Seal, Oil	S14765

Item No.	Part Description	Part Number
69	Washer, Impeller	S06317
71	Bracket	See Table I
73	Gasket	S18055
119	O-Ring	S13760
800A	Capscrew, Hex 1/2-13x1-1/4" (8 Req.)	S26914
800B	Capscrew, Hex 3/8-16x1" (12 Req.)	S26826
800C	Capscrew, Hex 1/4-20x3/4" (4 Req.)	S23119
800D	Bolt, Sq. Head 1/2-13x2-1/2" (2 Req.)	S23793
802	Nut, Hex 1/2-13x7/16" (2 Req.)	S23347
805	Washer, Lock	S23038
810A	Plug, Pipe 1/4 NPT (3 Req.)	S23715
810B	Plug, Pipe 1/2 NPT (2 Req.)	S23717
811A	Fitting, Grease	S23670
811B	Fitting, Grease	S23702



# BERKELEY® B4EQM

## SAE ENGINE MOUNT

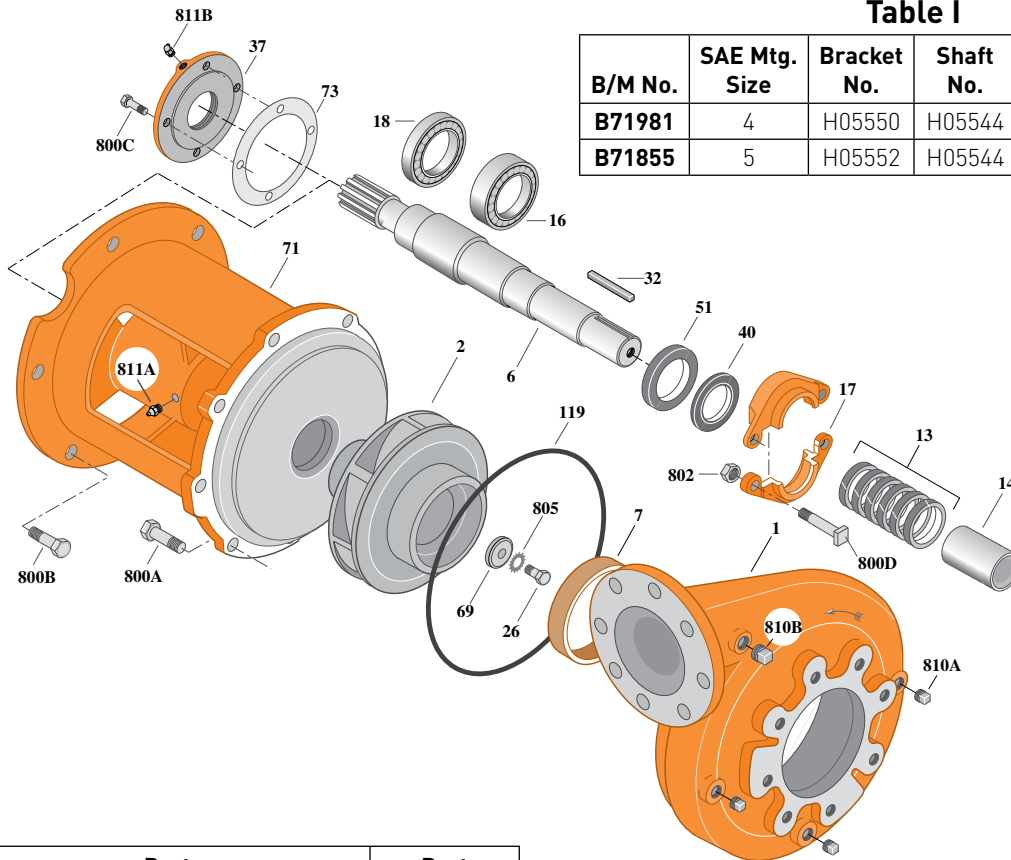
### Cast Iron Impeller

Flanged Case, Packing Construction

Section	SAE
Page	110.2
Date	March 4, 2013
Supersedes 01/01/04	

**Table I**

B/M No.	SAE Mtg. Size	Bracket No.	Shaft No.	Shaft Spline No.	Shaft Ext.
<b>B71981</b>	4	H05550	H05544	1-3/8-10T	2-1/2"
<b>B71855</b>	5	H05552	H05544	1-3/8-10T	2-1/2"



Item No.	Part Description	Part Number
1	Case, Volute	H01939
2	Impeller	M04821
6	Shaft	See Table I
7	Ring, Wearing	S13061
13	Ring, Packing (Set of 6)	S14023
14	Sleeve, Shaft	S05974
16	Bearing, Ball	S13396
17	Gland, Packing	B82472
18	Bearing, Ball	S13395
26	Screw, Impeller 1/2-13x1-1/2"	S23623
32	Key, 1/4 x 2-1/4"	S23677
37	Outer Bearing Cap	M10979
40	Slinger, Water	S10964
51	Seal, Oil	S14765
69	Washer, Impeller	S06317

Item No.	Part Description	Part Number
71	Bracket	See Table I
73	Gasket	S18055
119	O-Ring	S13760
800A	Capscrew, Hex 1/2-13x1-1/4" (8 Req.)	S26914
800B	Capscrew, Hex 3/8-16x1-1/2" (7 Req.)	S26830
800C	Capscrew, Hex 1/4-20x3/4" (4 Req.)	S23119
800D	Bolt, 1/2-13x2-1/2" (2 Req.)	S23793
802	Nut, Hex 1/2-13x7/16" (2 Req.)	S23347
805	Washer, Lock	S23038
810A	Plug, Pipe 1/4 NPT (3 Req.)	S23715
810B	Plug, Pipe 1/2 NPT (2 Req.)	S23717
811A	Fitting, Grease	S23670
811B	Fitting, Grease	S23702
•	Plug, Pipe 1/8 NPT	S13883

• Not illustrated.





# BERKELEY® B4JQBH

## SAE ENGINE MOUNT

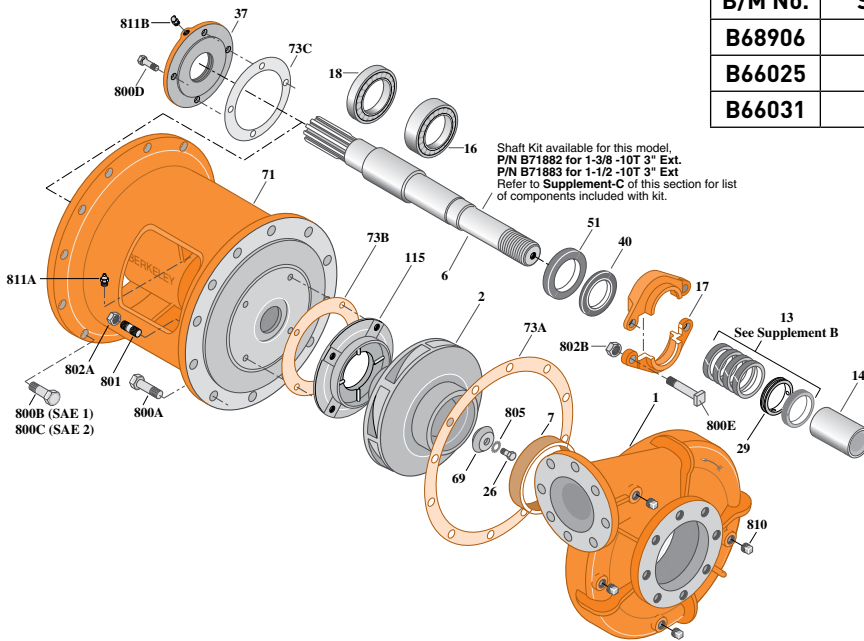
### Cast Iron Impeller

Flanged Case, Packing Construction

Section	SAE
Page	120.1
Date	March 4, 2013
Supersedes 01/01/04	

**Table I**

B/M No.	SAE Mtg. Size	Bracket No.	Shaft No.	Shaft Spline No.	Shaft Ext.
<b>B68906</b>	1	H01598	M06183	1-1/2-10T	3"
<b>B66025</b>	2	H01597	M06186	1-3/8-10T	3"
<b>B66031</b>	2	H01597	M06183	1-1/2-10T	3"



Item No.	Part Description	Part Number
1	Case, Volute	H03843
2	Impeller	L05976
6	Shaft [See Note]	See Table I
7	Ring, Wearing	S02894
13	Ring, Packing [Set of 4]	S13436
14	Sleeve, Shaft	S05974
16	Bearing, Ball	S13396
17	Gland, Packing	B82472
18	Bearing, Ball	S13395
26	Screw, Impeller 1/2-13x1-1/2"	S23623
29	Ring, Lantern	S18993
37	Outer Bearing Cap	M04998
40	Slinger, Water	S10964
51	Seal, Oil	S14765
69	Washer, Impeller	S19275
71	Bracket	See Table I
73A	Gasket, Volute	S06271
73B	Gasket, Balance Ring	S09943

Item No.	Part Description	Part Number
73C	Gasket	S18055
115	Ring, Balance	S12315
73A	Gasket, Volute	S06271
73B	Gasket, Balance Ring	S09943
73C	Gasket	S18055
115	Ring, Balance	S12315
800A	Capscrew, Hex 5/8-11x1-1/2" [12 Req.]	S26999
800B	Capscrew, Hex 3/8-16x1-1/4" [12 Req.]	S26828
800C	Capscrew, Hex 1/4-20x3/4" [4 Req.]	S23119
800D	Bolt, Sq. Head 1/2-13x2-3/4" [2 Req.]	S23794
801	Stud, 3/8-16x1-3/8" [4 Req.]	S09942
802A	Nut, Hex 3/8-16 [4 Req.]	S23103
802B	Nut, Hex 1/2-13x7/16" [2 Req.]	S23347
805	Washer, Lock	S23038
810	Plug, Pipe 1/2 NPT [4 Req.]	S23717
811A	Fitting, Grease	S23670
811B	Fitting, Grease	S23702
•	Fitting, Grease	S23700

• Not illustrated.



# BERKELEY® B4JQBH

## SAE ENGINE MOUNT

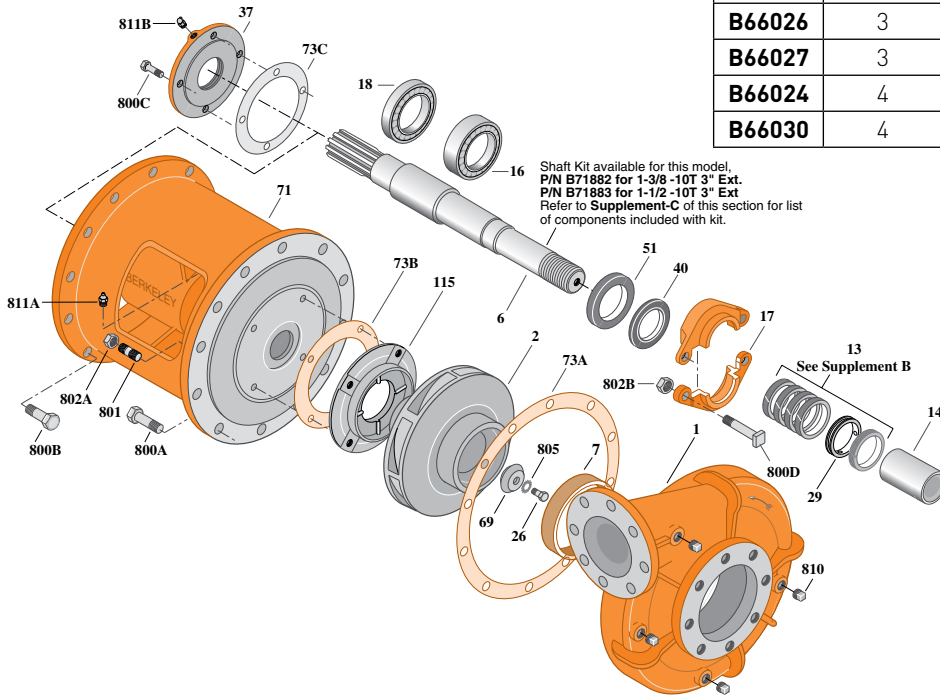
### Cast Iron Impeller

Flanged Case, Packing Construction

Section	SAE
Page	120.2
Date	March 4, 2013
Supersedes 01/01/04	

**Table I**

B/M No.	SAE Mtg. Size	Bracket No.	Shaft No.	Shaft Spline No.	Shaft Ext.
<b>B66026</b>	3	H01596	M06183	1-1/2-10T	3"
<b>B66027</b>	3	H01596	M06186	1-3/8-10T	3"
<b>B66024</b>	4	H01595	M06186	1-3/8-10T	3"
<b>B66030</b>	4	H01595	M06183	1-1/2-10T	3"



Item No.	Part Description	Part Number
1	Case, Volute	H03843
2	Impeller	L05976
6	Shaft (See Note)	See Table I
7	Ring, Wearing	S02894
13	Ring, Packing (Set of 4)	S13436
14	Sleeve, Shaft	S05974
16	Bearing, Ball	S13396
17	Gland, Packing	B82472
18	Bearing, Ball	S13395
26	Screw, Impeller 1/2-13x1-1/2"	S23623
29	Ring, Lantern	S18993
37	Outer Bearing Cap	M04998
40	Slinger, Water	S10964
51	Seal, Oil	S14765
69	Washer, Impeller	S19275
71	Bracket	See Table I

Item No.	Part Description	Part Number
73A	Gasket, Volute	S06271
73B	Gasket, Balance Ring	S09943
73C	Gasket	S18055
115	Ring, Balance	S12315
800A	Capscrew, Hex 5/8-11x1-1/2" (12 Req.)	S26999
800B	Capscrew, Hex 3/8-16x1-1/4" (12 Req.)	S26828
800C	Capscrew, Hex 1/4-20x3/4" (4 Req.)	S23119
800D	Bolt, Sq. Head 1/2-13x2-3/4" (2 Req.)	S23794
801	Stud, 3/8-16x1-3/8" (4 Req.)	S09942
802A	Nut, Hex 3/8-16 (4 Req.)	S23103
802B	Nut, Hex 1/2-13x7/16" (2 Req.)	S23347
805	Washer, Lock	S23038
810	Plug, Pipe 1/2 NPT (4 Req.)	S23717
811A	Fitting, Grease	S23670
811B	Fitting, Grease	S23702
•	Fitting, Grease	S23700

• Not illustrated.



# BERKELEY® B4JQBH

## SAE ENGINE MOUNT

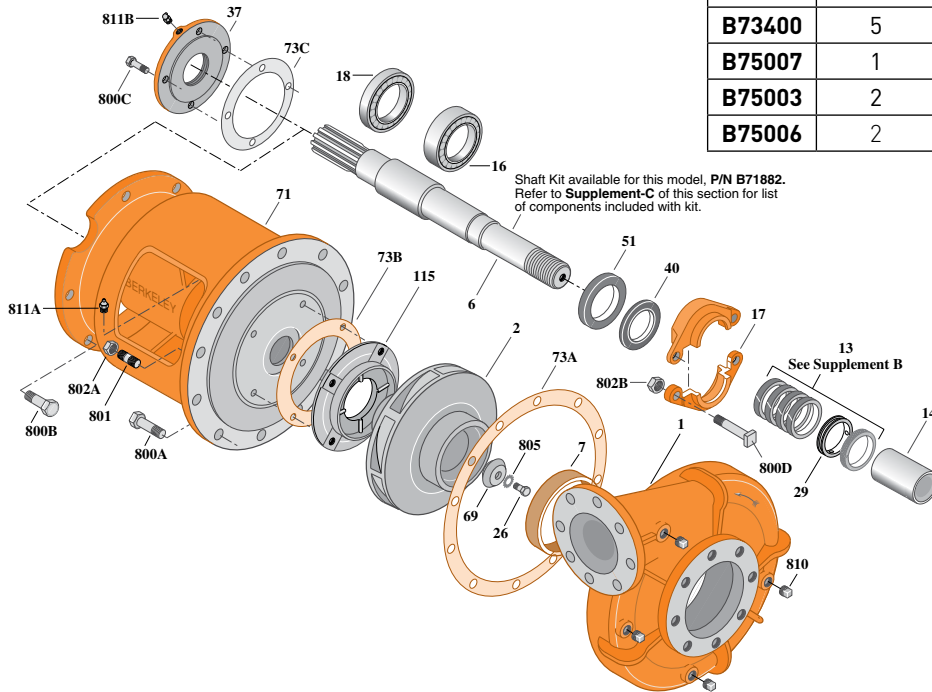
### Cast Iron Impeller

Flanged Case, Packing Construction

Section	SAE
Page	120.3
Date	March 4, 2013
Supersedes 01/01/04	

**Table I**

B/M No.	SAE Mtg. Size	Bracket No.	Shaft No.	Shaft Spline No.	Shaft Ext.
<b>B73400</b>	5	H01594	M06186	1-3/8-10T	3"
<b>B75007</b>	1	H01598	M06183	1-1/2-10T	3"
<b>B75003</b>	2	H01597	M06186	1-3/8-10T	3"
<b>B75006</b>	2	H01597	M06183	1-1/2-10T	3"



Item No.	Part Description	Part Number
1	Case, Volute	H03843
2	Impeller	L05976
6	Shaft (See Note)	See Table I
7	Ring, Wearing	S02894
13	Ring, Packing (Set of 4)	S13436
14	Sleeve, Shaft	S05974
16	Bearing, Ball	S13396
17	Gland, Packing	B82472
18	Bearing, Ball	S13395
26	Screw, Impeller 1/2-13x1-1/2"	S23623
29	Ring, Lantern	S18993
37	Outer Bearing Cap	M04998
40	Slinger, Water	S10964
51	Seal, Oil	S14765
69	Washer, Impeller	S19275
71	Bracket	See Table I

Item No.	Part Description	Part Number
73A	Gasket, Volute	S06271
73B	Gasket, Balance Ring	S09943
73C	Gasket	S18055
115	Ring, Balance	S12315
800A	Capscrew, Hex 5/8-11x1-1/2" [12 Req.]	S26999
800B	Capscrew, Hex 3/8-16x1-1/4" [12 Req.]	S26828
800C	Capscrew, Hex 1/4-20x3/4" [4 Req.]	S23119
800D	Bolt, Sq. Head 1/2-13x2-3/4" [2 Req.]	S23794
801	Stud, 3/8-16x1-3/8" [4 Req.]	S09942
802A	Nut, Hex 3/8-16 [4 Req.]	S23103
802B	Nut, Hex 1/2-13x7/16" [2 Req.]	S23347
805	Washer, Lock	S23038
810	Plug, Pipe 1/2 NPT [4 Req.]	S23717
811A	Fitting, Grease	S23670
811B	Fitting, Grease	S23702
•	Fitting, Grease	S23700

• Not illustrated.



# BERKELEY® B4JQBHS

## Cast Iron Impeller

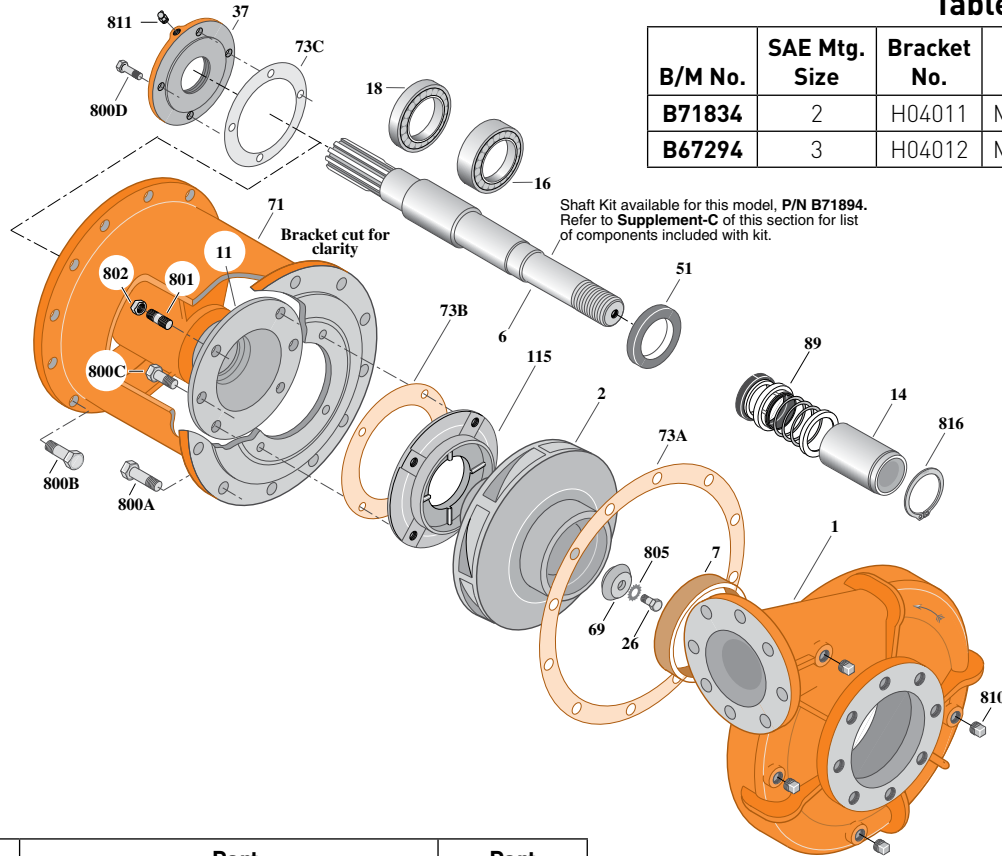
Flanged Case, Mechanical Seal Construction

SAE ENGINE MOUNT

Section	SAE
Page	120.4
Date	March 4, 2013
Supersedes 01/01/04	

Table I

B/M No.	SAE Mtg. Size	Bracket No.	Shaft No.	Shaft Spline No.	Shaft Ext.
<b>B71834</b>	2	H04011	M06183	1-1/2-10T	3"
<b>B67294</b>	3	H04012	M06183	1-1/2-10T	3"



Item No.	Part Description	Part Number
1	Case, Volute	H03843
2	Impeller	L05976
6	Shaft (See Note)	See Table I
7	Ring, Wearing	S02894
11	Retainer, Mechanical Shaft Seal	M07603
14	Sleeve, Shaft	S33429
16	Bearing, Ball	S13396
18	Bearing, Ball	S13395
26	Screw, Impeller 1/2-13x1-1/2"	S23623
37	Outer Bearing Cap	M04998
51	Seal, Oil	S14765
69	Washer, Impeller	S19275
71	Bracket	See Table I
73A	Gasket, Volute	S06271
73B	Gasket, Balance Ring	S09943

Item No.	Part Description	Part Number
73C	Gasket	S18055
89	Seal, Mechanical Shaft	S32694
115	Ring, Balance	S19109
800A	Capscrew, Hex 5/8-11x1-1/2" (12 Req.)	S26999
800B	Capscrew, Hex 3/8-16x1-1/4" (12 Req.)	S26828
800C	Capscrew, Hex 3/8-16x5/8" (2 Req.)	S39853
800D	Capscrew, Hex 1/4-20x3/4" (4 Req.)	S23119
801	Stud, 3/8-16x1-1/2" (4 Req.)	S23995
802	Nut, Hex 3/8-16 (4 Req.)	S23103
805	Washer, Lock	S23038
810	Plug, Pipe 1/2 NPT (4 Req.)	S23717
811	Fitting, Grease	S23670
816	Ring, Retaining	S29341
•	Fitting, Grease	S23702

• Not illustrated.



# BERKELEY® B4JQBH

## SAE ENGINE MOUNT

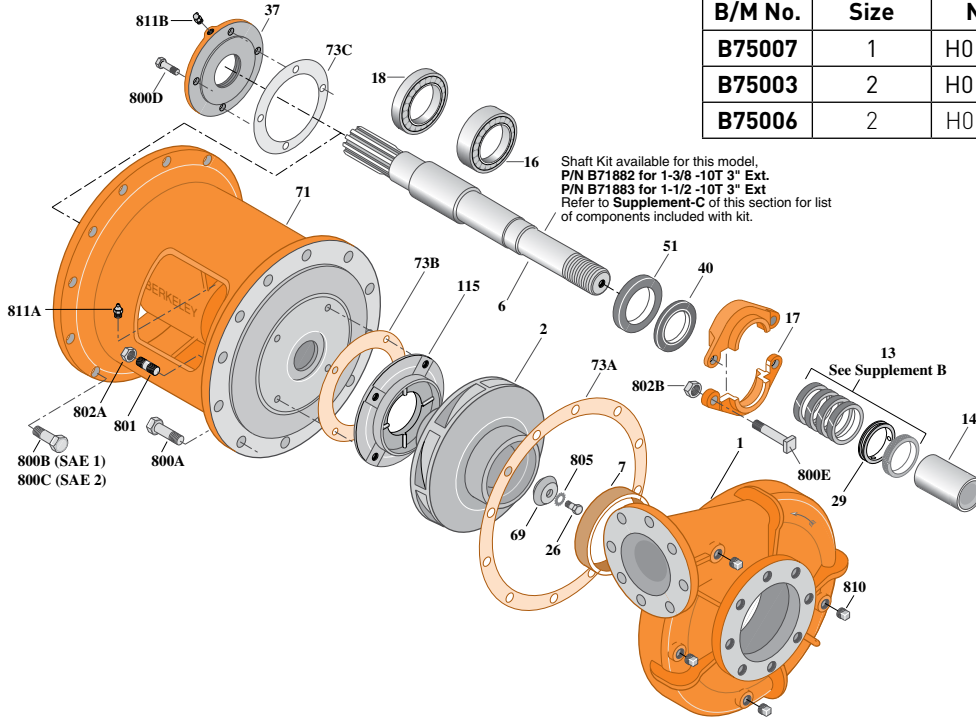
### Bronze Impeller

Flanged Case, Packing Construction

Section	SAE
Page	120.5
Date	March 4, 2013
Supersedes 01/01/04	

**Table I**

B/M No.	SAE Mtg. Size	Bracket No.	Shaft No.	Shaft Spline No.	Shaft Ext.
<b>B75007</b>	1	H01598	M06183	1-1/2-10T	3"
<b>B75003</b>	2	H01597	M06186	1-3/8-10T	3"
<b>B75006</b>	2	H01597	M06183	1-1/2-10T	3"



Shaft Kit available for this model.  
 P/N B71882 for 1-3/8 -10T 3" Ext.  
 P/N B71883 for 1-1/2 -10T 3" Ext.  
 Refer to Supplement-C of this section for list of components included with kit.

Item No.	Part Description	Part Number
1	Case, Volute	H03843
2	Impeller	H05724
6	Shaft (See Note)	See Table I
7	Ring, Wearing	S02894
13	Ring, Packing (Set of 4)	S13436
14	Sleeve, Shaft	S05974
16	Bearing, Ball	S13396
17	Gland, Packing	B82472
18	Bearing, Ball	S13395
26	Screw, Impeller 1/2-13x1-1/2"	S23623
29	Ring, Lantern	S18993
37	Outer Bearing Cap	M04998
40	Slinger, Water	S10964
51	Seal, Oil	S14765
69	Washer, Impeller	S19275
71	Bracket	See Table I

Item No.	Part Description	Part Number
73A	Gasket, Volute	S06271
73B	Gasket, Balance Ring	S09943
73C	Gasket	S18055
115	Ring, Balance	S12315
800A	Capscrew, Hex 5/8-11x1-1/2" (12 Req.)	S26999
800B	Capscrew, Hex 3/8-16x1-1/4" (12 Req.)	S26828
800C	Capscrew, Hex 1/4-20x3/4" (4 Req.)	S23119
800D	Bolt, Sq. Head 1/2-13x2-3/4" (2 Req.)	S23794
801	Stud, 3/8-16x1-3/8" (4 Req.)	S09942
802A	Nut, Hex 3/8-16 (4 Req.)	S23103
802B	Nut, Hex 1/2-13x7/16" (2 Req.)	S23347
805	Washer, Lock	S23038
810	Plug, Pipe 1/2 NPT (4 Req.)	S23717
811A	Fitting, Grease	S23670
811B	Fitting, Grease	S23702
•	Fitting, Grease	S23700

• Not illustrated.



# BERKELEY® B4JQBH

## SAE ENGINE MOUNT

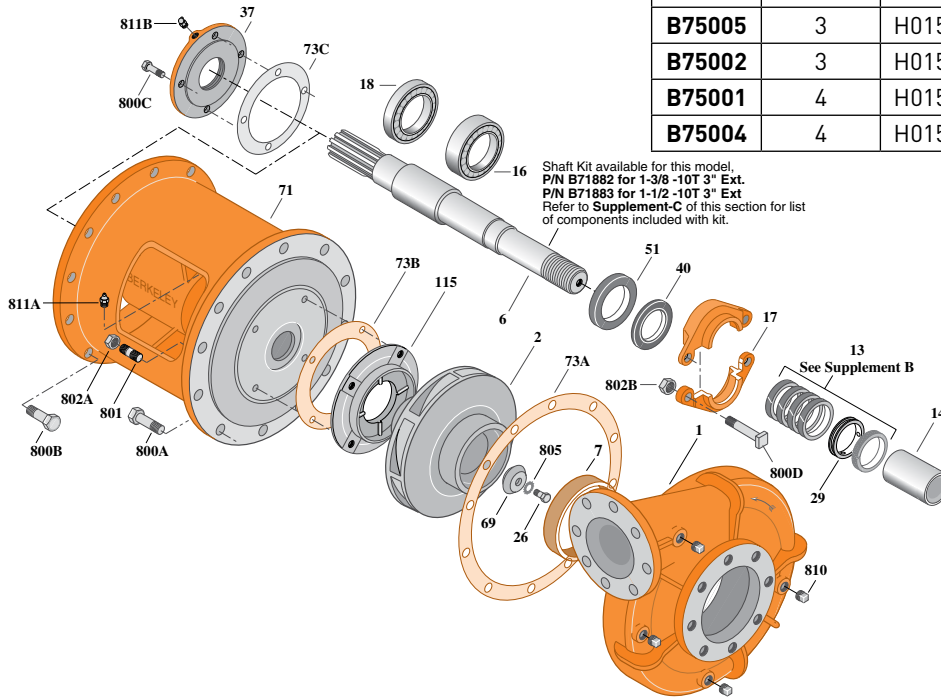
### Bronze Impeller

Flanged Case, Packing Construction

Section	SAE
Page	120.6
Date	March 4, 2013
Supersedes 01/01/04	

**Table I**

B/M No.	SAE Mtg. Size	Bracket No.	Shaft No.	Shaft Spline No.	Shaft Ext.
<b>B75005</b>	3	H01596	M06183	1-1/2-10T	3"
<b>B75002</b>	3	H01596	M06186	1-3/8-10T	3"
<b>B75001</b>	4	H01595	M06186	1-3/8-10T	3"
<b>B75004</b>	4	H01595	M06183	1-1/2-10T	3"



Item No.	Part Description	Part Number
1	Case, Volute	H03843
2	Impeller	H05724
6	Shaft (See Note)	See Table I
7	Ring, Wearing	S02894
13	Ring, Packing (Set of 4)	S13436
14	Sleeve, Shaft	S05974
16	Bearing, Ball	S13396
17	Gland, Packing	B82472
18	Bearing, Ball	S13395
26	Screw, Impeller 1/2-13x1-1/2"	S23623
29	Ring, Lantern	S18993
37	Outer Bearing Cap	M04998
40	Slinger, Water	S10964
51	Seal, Oil	S14765
69	Washer, Impeller	S19275
71	Bracket	See Table I

Item No.	Part Description	Part Number
73A	Gasket, Volute	S06271
73B	Gasket, Balance Ring	S09943
73C	Gasket	S18055
115	Ring, Balance	S12315
800A	Capscrew, Hex 5/8-11x1-1/2" [12 Req.]	S26999
800B	Capscrew, Hex 3/8-16x1-1/4" [12 Req.]	S26828
800C	Capscrew, Hex 1/4-20x3/4" [4 Req.]	S23119
800D	Bolt, Sq. Head 1/2-13x2-3/4" [2 Req.]	S23794
801	Stud, 3/8-16x1-3/8" [4 Req.]	S09942
802A	Nut, Hex 3/8-16 [4 Req.]	S23103
802B	Nut, Hex 1/2-13x7/16" [2 Req.]	S23347
805	Washer, Lock	S23038
810	Plug, Pipe 1/2 NPT [4 Req.]	S23717
811A	Fitting, Grease	S23670
811B	Fitting, Grease	S23702
•	Fitting, Grease	S23700

• Not illustrated.





# BERKELEY® B4JQBH

## Bronze Impeller

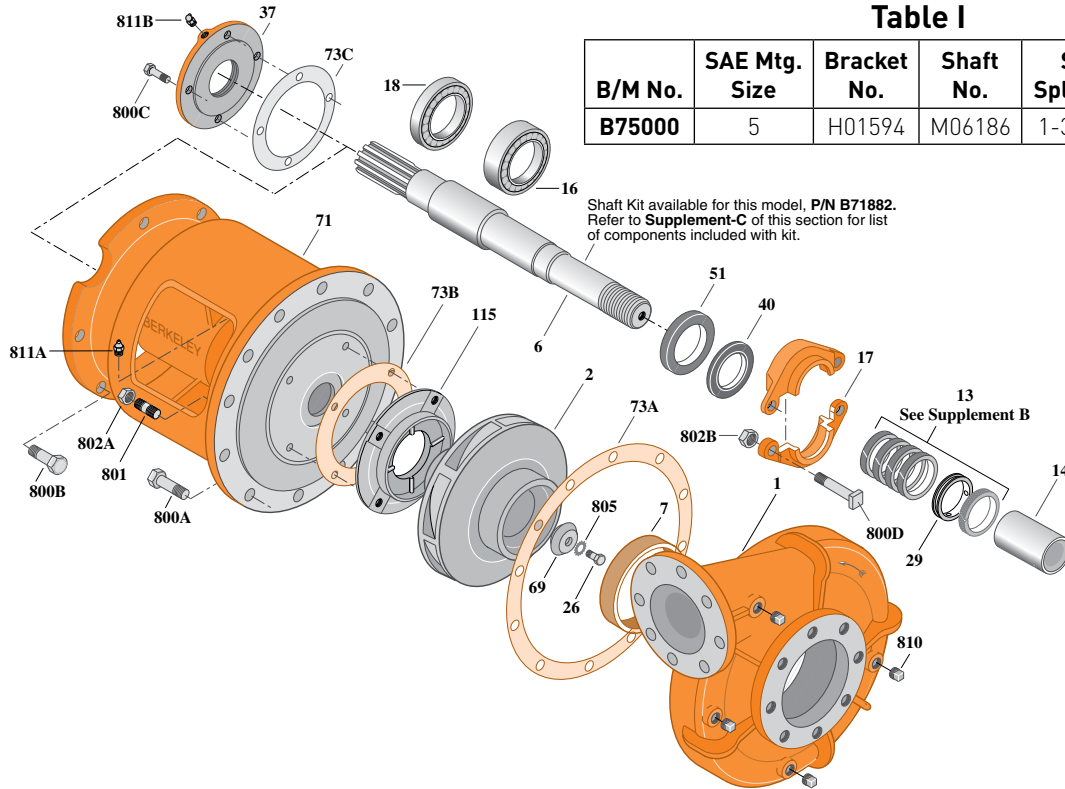
Flanged Case, Packing Construction

SAE ENGINE MOUNT

Section	SAE
Page	120.7
Date	March 4, 2013
Supersedes 01/01/04	

Table I

B/M No.	SAE Mtg. Size	Bracket No.	Shaft No.	Shaft Spline No.	Shaft Ext.
B75000	5	H01594	M06186	1-3/8-10T	3"



Shaft Kit available for this model, P/N B71882. Refer to Supplement-C of this section for list of components included with kit.

Item No.	Part Description	Part Number
1	Case, Volute	H03843
2	Impeller	H05724
6	Shaft (See Note)	See Table I
7	Ring, Wearing	S02894
13	Ring, Packing (Set of 4)	S13436
14	Sleeve, Shaft	S05974
16	Bearing, Ball	S13396
17	Gland, Packing	B82472
18	Bearing, Ball	S13395
26	Screw, Impeller 1/2-13x1-1/2"	S23623
29	Ring, Lantern	S18993
37	Outer Bearing Cap	M04998
40	Slinger, Water	S10964
51	Seal, Oil	S14765
69	Washer, Impeller	S19275
71	Bracket	See Table I

Item No.	Part Description	Part Number
73A	Gasket, Volute	S06271
73B	Gasket, Balance Ring	S09943
73C	Gasket	S18055
115	Ring, Balance	S12315
800A	Capscrew, Hex 5/8-11x1-1/2" (12 Req.)	S26999
800B	Capscrew, Hex 3/8-16x1-1/4" (12 Req.)	S26828
800C	Capscrew, Hex 1/4-20x3/4" (4 Req.)	S23119
800D	Bolt, Sq. Head 1/2-13x2-3/4" (2 Req.)	S23794
801	Stud, 3/8-16x1-3/8" (4 Req.)	S09942
802A	Nut, Hex 3/8-16 (4 Req.)	S23103
802B	Nut, Hex 1/2-13x7/16" (2 Req.)	S23347
805	Washer, Lock	S23038
810	Plug, Pipe 1/2 NPT (4 Req.)	S23717
811A	Fitting, Grease	S23670
811B	Fitting, Grease	S23702
•	Fitting, Grease	S23700

• Not illustrated.



# BERKELEY® B4JQBHS

## Bronze Impeller

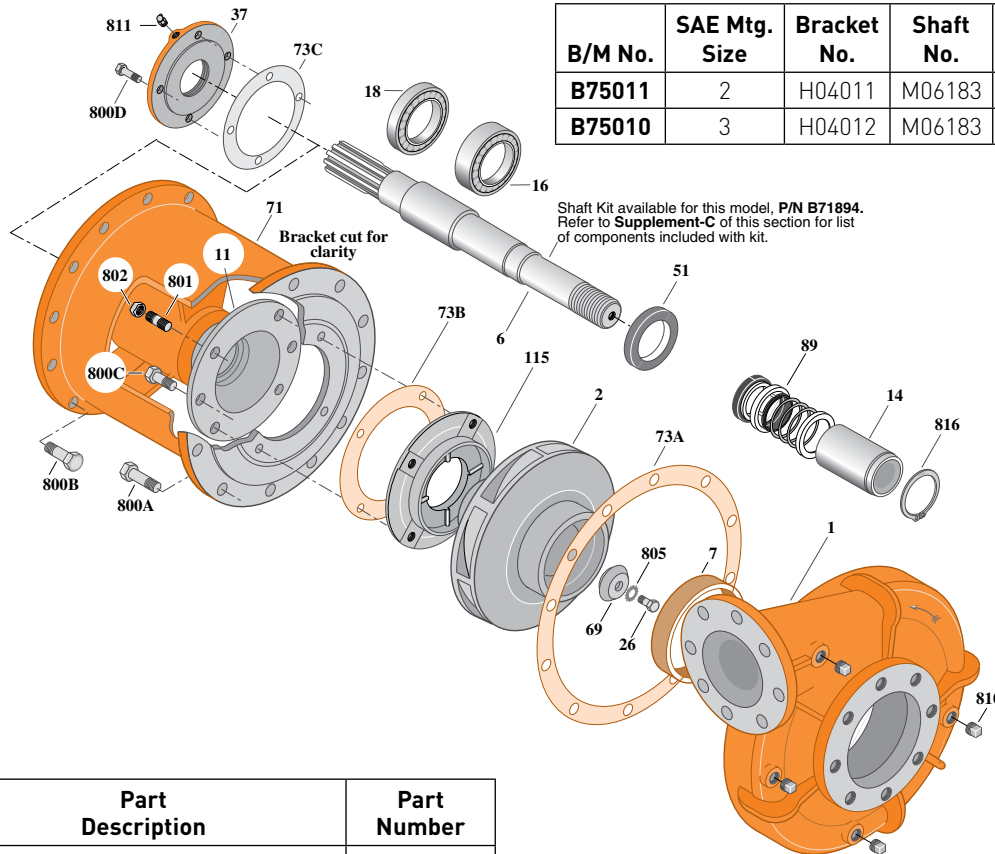
Flanged Case, Mechanical Seal Construction

SAE ENGINE MOUNT

Section	SAE
Page	120.8
Date	March 4, 2013
Supersedes 01/01/04	

Table I

B/M No.	SAE Mtg. Size	Bracket No.	Shaft No.	Shaft Spline No.	Shaft Ext.
B75011	2	H04011	M06183	1-1/2-10T	3"
B75010	3	H04012	M06183	1-1/2-10T	3"



Item No.	Part Description	Part Number
1	Case, Volute	H03843
2	Impeller	H05724
6	Shaft (See Note)	See Table I
7	Ring, Wearing	S02894
11	Retainer, Mechanical Shaft Seal	M07603
14	Sleeve, Shaft	S33429
16	Bearing, Ball	S13396
18	Bearing, Ball	S13395
26	Screw, Impeller 1/2-13x1-1/2"	S23623
37	Outer Bearing Cap	M04998
51	Seal, Oil	S14765
69	Washer, Impeller	S19275
71	Bracket	See Table I
73A	Gasket, Volute	S06271
73B	Gasket, Balance Ring	S09943
73C	Gasket	S18055

Item No.	Part Description	Part Number
89	Seal, Mechanical Shaft	S32694
115	Ring, Balance	S19109
800A	Capscrew, Hex 5/8-11x1-1/2" (12 Req.)	S26999
800B	Capscrew, Hex 3/8-16x1-1/4" (12 Req.)	S26828
800C	Capscrew, Hex 3/8-16x5/8" (2 Req.)	S39853
800D	Capscrew, Hex 1/4-20x3/4" (4 Req.)	S23119
801	Stud, 3/8-16x1-1/2" (4 Req.)	S23995
802	Nut, Hex 3/8-16 (4 Req.)	S23103
805	Washer, Lock	S23038
810	Plug, Pipe 1/2 NPT (4 Req.)	S23717
811	Fitting, Grease	S23670
816	Ring, Retaining	S29341
•	Fitting, Grease	S23702

• Not illustrated.



# BERKELEY® B4JQBHS

## SAE ENGINE MOUNT

### Cast Iron Impeller

Flanged Case, Mechanical Shaft Seal Construction

Section	SAE
Page	120.9
Date	March 4, 2013
Supersedes 01/01/12	

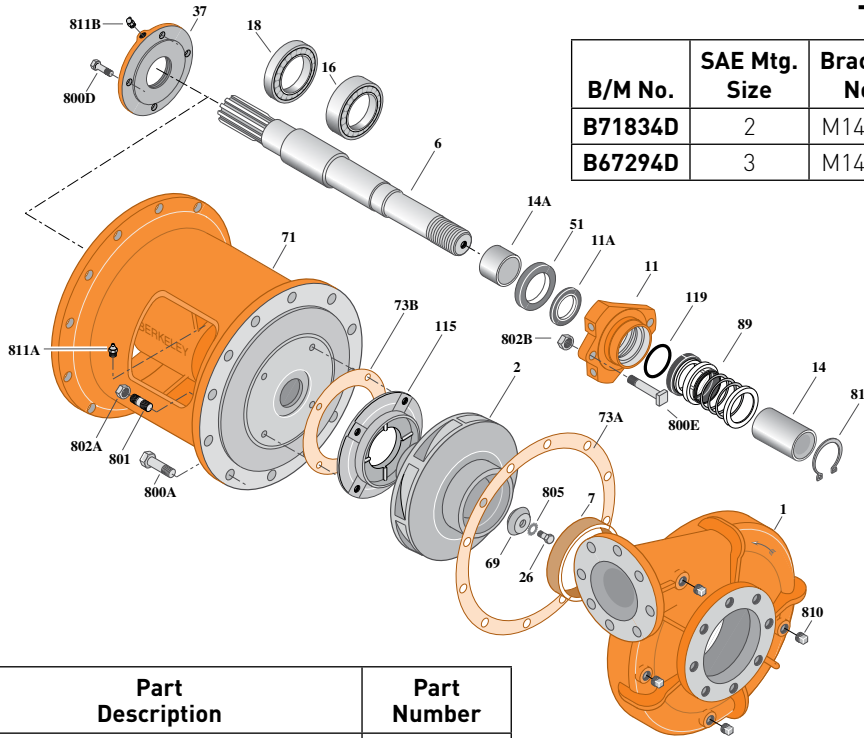


Table I

B/M No.	SAE Mtg. Size	Bracket No.	Shaft No.	Shaft Spline No.	Shaft Ext.
B71834D	2	M14967	M06183	1-1/2-10T	3"
B67294D	3	M14966	M06183	1-1/2-10T	3"

Item No.	Part Description	Part Number
1	Case, Volute	H03843
2	Impeller	L05976
6	Shaft	See Table 1
7	Ring, Wearing	S02894
11	Retainer, Mechanical Shaft Seal, Dry Run	M14959
11A	Dry run Gland Lip Seal	M12337
14	Sleeve, Shaft	S33429L
14A	Sleeve, Shaft	M14971
16	Bearing, Ball	S13396
18	Bearing, Ball	S13395
26	Screw, Impeller 1/2-13x1-1/2"	S23623
37	Outer Bearing Cap Assembly	M04998
51	Seal, Oil	S14765
69	Washer, Impeller	S19275
71	Bracket	See Table 1
73A	Gasket, Volute	S06271
73B	Gasket, Balance Ring	S09943
89	Seal, Mechanical Shaft	S32693
115	Ring, Balance	S19109
119	O-Ring	M14972
800A	Capscrew, Hex 5/8-11x1-3/4" (2 Rqd.) top ctr	S27001

1974 1111

Item No.	Part Description	Part Number
800A	Capscrew, Hex 5/8-11x1-1/2" (10 Rqd.)	S26999
800D	Capscrew, Hex 1/4-2x3/4" (4 Rqd.)	S23119
800E	Bolt, Sq. Head 1/2-13x2-1/4" (2 Rqd.)	S23792
801	Stud 3/8-16 X 1-1/4 (4 Rqd.)	S23994
802A	Nut, Hex 3/8-16 STL (4 Rqd.)	S23103
802B	Nut, Hex 1/2-13 (2 Rqd.)	S23347
805	Washer, Lock	S23038
810	Plug, Pipe 1/2 NPT (4 Rqd.)	S23717
811A	Fitting, Grease	S23670
811B	Fitting, Grease	S23702
816	Ring, Retaining	S29341

**NOTE 1: Shaft Replacement Kit** is available for this model. Berkeley part number **B71894**. Pump shaft sold in replacement kit only. Refer to **Supplement C** for shaft kit components.

**NOTE 2:** Refer to **Supplement F** for dry run tank repair parts. Dry run lubrication system requires one gallon of food grade hydraulic oil (FGHO), viscosity 150 SSU at 100 °F. Oil not supplied, purchase locally.



# BERKELEY® B4GQBH

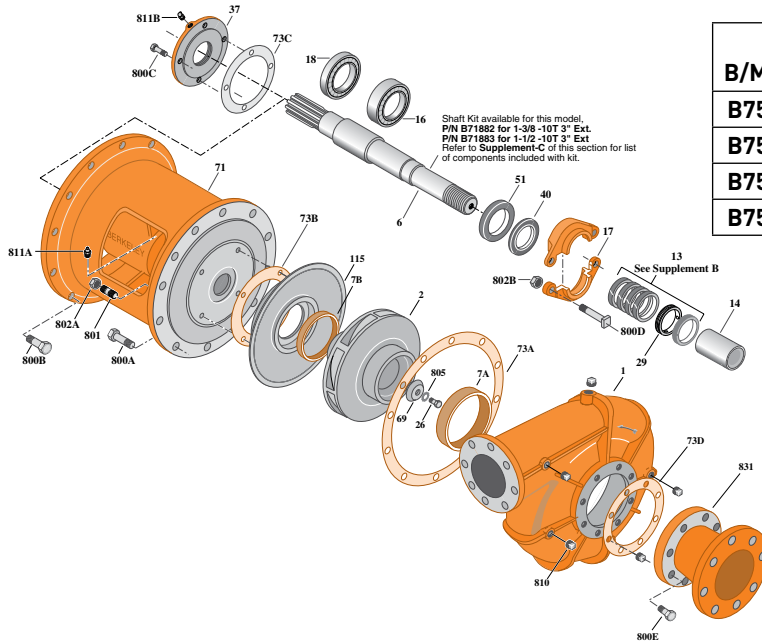
## Silicon Bronze Impeller

### Flanged Case, Packing Construction

Section	SAE
Page	125.1
Date	March 4, 2013
Supersedes 01/01/04	

**Table I**

B/M No.	SAE Mtg. Size	Bracket No.	Shaft No.	Shaft Spline No.	Shaft Ext.
<b>B75561</b>	4	H01595	M06183	1-1/2-10T	3"
<b>B75562</b>	3	H01596	M06183	1-1/2-10T	3"
<b>B75563</b>	2	H01597	M06183	1-1/2-10T	3"
<b>B75564</b>	1	H01598	M06183	1-1/2-10T	3"



Item No.	Part Description	Part Number
1	Case, Volute	H05778
2	Impeller	H05882
6	Shaft (See Note)	See Table I
7A	Ring, Wearing	M11195
7B	Ring, Wearing	M11194
13	Ring, Packing (Set of 4)	S13436
14	Sleeve, Shaft	S05974
16	Bearing, Ball	S13396
17	Gland, Packing	B82472
18	Bearing, Ball	S13395
26	Screw, Impeller 1/2-13x1-3/4"	S23625
29	Ring, Lantern	S18993
37	Outer Bearing Cap	M04998
40	Slinger, Water	S10964
51	Seal, Oil	S14765
69	Washer, Impeller	S06319
71	Bracket	See Table I
73A	Gasket, Volute	S06271
73B	Gasket, Balance Ring	S09943
73C	Gasket	S18055

Item No.	Part Description	Part Number
73D	Gasket, Reducer	S10367
115	Ring, Balance	H05781
800A	Capscrew, Hex 5/8-11x1-1/2" (12 Req.)	S26999
800B	Capscrew, Hex 3/8-16x1-1/4" (12 Req.)	S26828
800B	Capscrew, Hex 7/16-14x1-1/4" (12 Req.)*	S26872
800C	Capscrew, Hex 1/4-20x3/4" (4 Req.)	S23119
800D	Bolt, Sq. Head 1/2-13x2-3/4" (2 Req.)	S23794
800E	Capscrew, Hex 3/4-10x1-3/4" (8 Req.)	S27327
801	Stud, 3/8-16x1-3/8" (4 Req.)	S09942
802A	Nut, Hex 3/8-16 (4 Req.)	S23103
802B	Nut, Hex 1/2-13x7/16" (2 Req.)	S23347
805	Washer, Lock	S23038
810	Plug, Pipe 1/2 NPT (6 Req.)	S23717
811A	Fitting, Grease (2 Req.)	S23670
811B	Fitting, Grease	S23702
831	Reducer, Eccentric	H05780
•	Fitting, Grease	S23700

\* For B/M No. 75564 Only.  
 • Not illustrated.

# BERKELEY® B4GQBHS

## Silicon Bronze Impeller

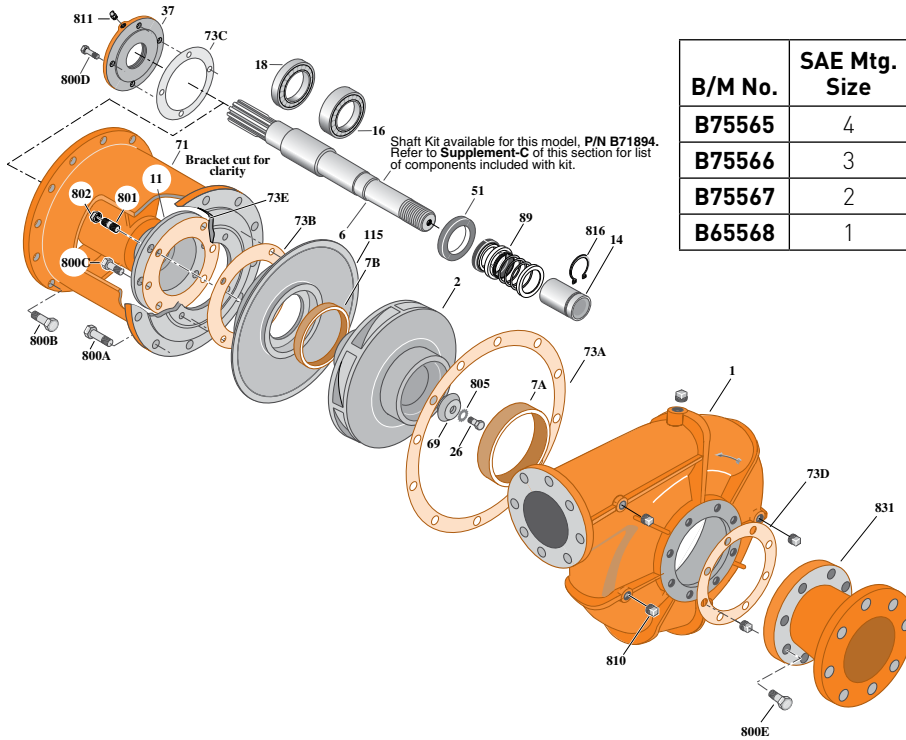
### Flanged Case, Mechanical Seal Construction

SAE ENGINE MOUNT

Section	SAE
Page	125.2
Date	March 4, 2013
Supersedes 01/01/04	

Table I

B/M No.	SAE Mtg. Size	Bracket No.	Shaft No.	Shaft Spline No.	Shaft Ext.
B75565	4	H04013	M06183	1-1/2-10T	3"
B75566	3	H04012	M06183	1-1/2-10T	3"
B75567	2	H04011	M06183	1-1/2-10T	3"
B65568	1	H04010	M06183	1-1/2-10T	3"



Item No.	Part Description	Part Number
1	Case, Volute	H05778
2	Impeller	H05882
6	Shaft (See Note)	See Table I
7A	Ring, Wearing	M11195
7B	Ring, Wearing	M11194
11	Retainer, Mechanical Shaft Seal	M07603
14	Sleeve, Shaft	S33429
16	Bearing, Ball	S13396
18	Bearing, Ball	S13395
26	Screw, Impeller 1/2-13x1-1/2"	S23625
37	Outer Bearing Cap	M04998
51	Seal, Oil	S14765
69	Washer, Impeller	S06319
71	Bracket	See Table I
73A	Gasket, Volute	S06271
73B	Gasket, Balance Ring	S09943
73C	Gasket	S18055
73D	Gasket, Reducer	S10367
73E	Gasket	S39852

Item No.	Part Description	Part Number
89	Seal, Mechanical Shaft	S32694
115	Ring, Balance	H05781
800A	Capscrew, Hex 5/8-11x1-1/2" (12 Req.)	S26999
800B	Capscrew, Hex 3/8-16x1-1/4" (12 Req.)	S26828
800B	Capscrew, Hex 7/16-14x1-1/4" (12 Req.)*	S26872
800C	Capscrew, Hex 3/8-16x5/8" (2 Req.)	S39853
800D	Capscrew, Hex 1/4-20x3/4" (4 Req.)	S23119
800E	Capscrew, Hex 3/4-10x1-3/4" (8 Req.)	S27327
801	Stud, 3/8-16x1-1/2" (4 Req.)	S09942
802	Nut, Hex 3/8-16 (4 Req.)	S23103
805	Washer, Lock	S23038
810	Plug, Pipe 1/2 NPT (6 Req.)	S23717
811	Fitting, Grease	S23670
816	Ring, Retaining	S29341
831	Reducer, Eccentric	H05780
•	Fitting, Grease	S23702

\* For B/M No. 75568 Only.  
 • Not illustrated.



# BERKELEY® B4GQBHS

SAE ENGINE MOUNT

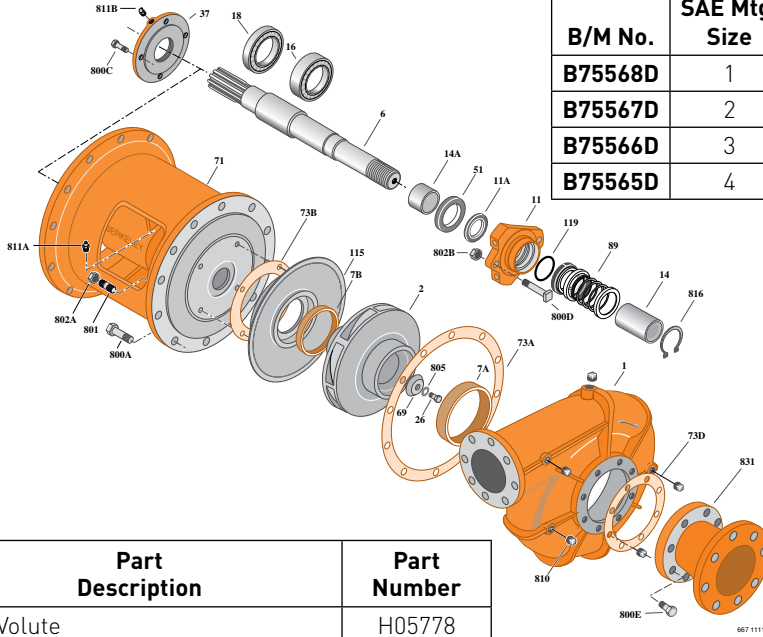
## Cast Iron Impeller

Flanged Case, Mechanical Shaft Seal Construction

Section	SAE
Page	125.3
Date	March 4, 2013
Supersedes 01/01/12	

Table I

B/M No.	SAE Mtg. Size	Bracket No.	Shaft No.	Shaft Spline No.	Shaft Ext.
B75568D	1	M14968	M06183	1-1/2-10T	3"
B75567D	2	M14967	M06183	1-1/2-10T	3"
B75566D	3	M14966	M06183	1-1/2-10T	3"
B75565D	4	M14965	M06183	1-1/2-10T	3"



Item No.	Part Description	Part Number
1	Case, Volute	H05778
2	Impeller	H05822
6	Shaft	See Table 1
7A	Ring, Wearing	M11195
7B	Ring, Wearing	M11194
11	Retainer, Mechanical Shaft Seal, Dry Run	M14959
11A	Dry run Gland Lip Seal	M12337
14	Sleeve, Shaft	S33429L
14A	Sleeve, Speedi	M14971
16	Bearing, Ball	S13396
18	Bearing, Ball	S13395
26	Screw, Impeller 1/2-13x1-3/4"	S23625
37	Outer Bearing Cap Assembly	M04998
51	Seal, Oil	S14765
69	Washer, Impeller	S06319
71	Bracket	See Table 1
73A	Gasket, Volute	S06271
73B	Gasket, Balance Ring	S09943
73D	Gasket, Reducer	S10367
89	Seal, Mechanical Shaft	S32693
115	Ring, Balance	H05781
119	O-Ring	M14972
800A	Capscrew, Hex 5/8-11x1-3/4" [2 Rqd.] top ctr	S27001

Item No.	Part Description	Part Number
800A	Capscrew, Hex 5/8-11x1-1/2" [10 Rqd.]	S26999
800C	Capscrew, Hex 1/4-2x3/4" [4 Rqd.]	S23119
800D	Bolt, Sq. Head 1/2-13x2-1/4" [2 Rqd.]	S23792
800E	Capscrew, Hex 3/4-10x1-3/4" [8 Rqd.]	S27327
801	Stud 3/8-16 X 1-3/8LG [4 Rqd]	S09942
802A	Nut, Hex 3/8-16 STL [4 Rqd]	S23103
802B	Nut, Hex 1/2-13 [2 Rqd.]	S23347
805	Washer, Lock	S23038
810	Plug, Pipe 1/2 NPT [4 Rqd.]	S23717
811A	Fitting, Grease	S23607
811B	Fitting, Grease	S23702
816	Ring, Retaining	S29341
831	Reducer, Eccentric	H05780

**NOTE 1: Shaft Replacement Kit** is available for this model. Berkeley part number **B71894**. Pump shaft sold in replacement kit only. Refer to **Supplement C** for shaft kit components.

**NOTE 2:** Refer to **Supplement F** for dry run tank repair parts. Dry run lubrication system requires one gallon of food grade hydraulic oil (FGHO), viscosity 150 SSU at 100 °F. Oil not supplied, purchase locally.





# BERKELEY® B4EXQBLS

## SAE ENGINE MOUNT

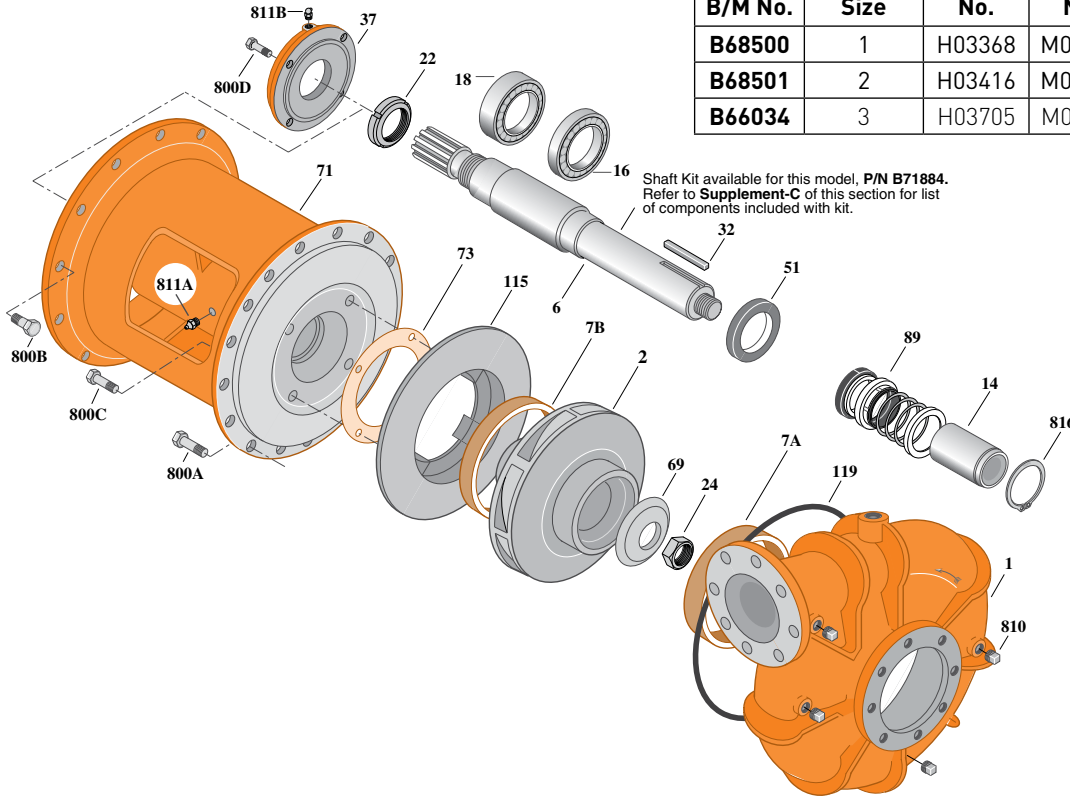
### Cast Iron Impeller

Flanged Case, Mechanical Seal Construction

Section	SAE
Page	130.1
Date	March 4, 2013
Supersedes 01/01/04	

**Table I**

B/M No.	SAE Mtg. Size	Bracket No.	Shaft No.	Shaft Spline No.	Shaft Ext.
<b>B68500</b>	1	H03368	M06735	1-1/2-10T	3"
<b>B68501</b>	2	H03416	M06735	1-1/2-10T	3"
<b>B66034</b>	3	H03705	M06735	1-1/2-10T	3"



Item No.	Part Description	Part Number
1	Case, Volute	H03356
2	Impeller	H03589
6	Shaft (See Note)	See Table I
7A	Ring, Wearing	M05972
7B	Ring, Wearing	M10758
14	Sleeve, Shaft	S19499
16	Bearing, Ball	S19502
18	Bearing, Ball	S18336
22	Nut, Bearing Lock	S19498
24	Nut, Impeller Lock	S19870
32	Key, 1/2 x 2"	S26545
37	Outer Bearing Cap	M06729
51	Seal, Oil	S19501
69	Washer, Impeller	S18720
71	Bracket	See Table I

Item No.	Part Description	Part Number
73	Gasket, Balance Ring	S09943
89	Seal, Mechanical Shaft	S30320
115	Ring, Balance	M06728
119	O-Ring	S14444
800A	Capscrew, Hex 5/8-11x1-3/4" (16 Req.)	S27001
800B	Capscrew, Hex 7/16-14x1-1/2" (12 Req. - SAE 1)	S26874
800B	Capscrew, Hex 3/8-16x1-1/4" (12 Req. - SAE 2, SAE 3)	S26828
800C	Capscrew, Hex 3/8-16x1" (4 Req.)	S26826
800D	Capscrew, Hex 3/8-16x7/8" (4 Req.)	S26825
810	Plug, Pipe 1/2 NPT (4 Req.)	S23717
811A	Fitting, Grease	S23670
811B	Fitting, Grease	S23702
816	Ring, Retaining	S17831



# BERKELEY® B4EYQBM

## SAE ENGINE MOUNT

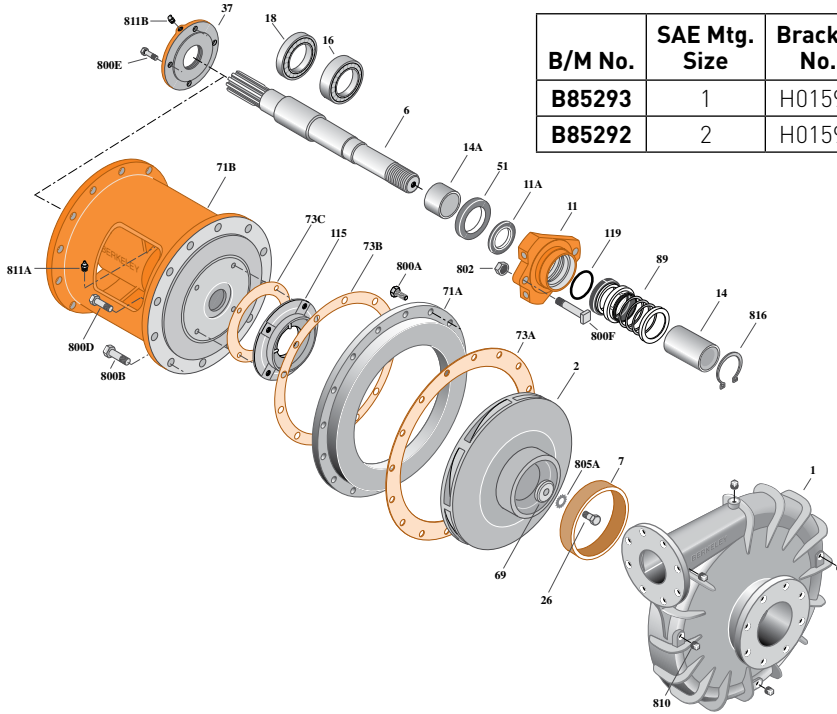
### Cast Iron Impeller

Flanged Case, Packing Construction

Section	SAE
Page	140.1.1
Date	March 4, 2013
Supersedes 12/01/05	

Table I

B/M No.	SAE Mtg. Size	Bracket No.	Shaft No.	Shaft Spline No.	Shaft Ext.
B85293	1	H01598	1-1/2-10T	3"	3"
B85292	2	H01597	1-1/2-10T	3"	2-1/2"



Item No.	Part Description	Part Number
1	Case, Volute	M13751
2	Impeller	L02409
6	Shaft [See Note]	KITB71883
7	Ring, Wearing	S15718
13	Ring, Packing [Set of 4]	S13436
14	Sleeve, Shaft	S05974
16	Bearing, Ball	S13396
17	Gland, Packing	B82472
18	Bearing, Ball	S13395
26	Screw, Impeller 1/2-13x1-1/4"	S23621
29	Ring, Lantern	S18993
37	Outer Bearing Cap	M04998
40	Slinger, Water	S10964
51	Seal, Oil	S14765
69	Washer, Impeller	S06319
71A	Ring, Adapter	M13753
71B	Bracket	See Table I
73A	Gasket, Suction Cover	S06401

Item No.	Part Description	Part Number
73B	Gasket, Volute	S06271
73C	Gasket, Balance Ring	S09943
115	Ring, Balance	S12304
800A	Capscrew, Hex 5/8-11x1-3/4" [16 Req.]	S27001
800B	Capscrew, Hex 5/8-11x1-1/2" [12 Req.]	S26999
800C	Capscrew, Hex 3/8-16x1-1/4" [12 Req. - SAE 1]	S26872
800C	Capscrew, Hex 3/8-16x1-1/4" [12 Req. - SAE 2]	S26828
800D	Capscrew, Hex 3/8-16x1" [4 Req.]	S26826
800E	Capscrew, Hex 1/4-20x3/4" [4 Req.]	S23119
800F	Bolt, Sq. Head 1/2-13x2-3/4" [2 Req.]	S23794
802	Nut, Hex 1/2-13x7/16" [2 Req.]	S23347
805	Washer, Lock	S23038
810	Plug, Pipe 1/2 NPT [4 Req.]	S23717
811A	Fitting, Grease	S23670
811B	Fitting, Grease	S23702
•	Fitting, Grease	S23700

• Not illustrated.



# BERKELEY® B4EYQBM

## SAE ENGINE MOUNT

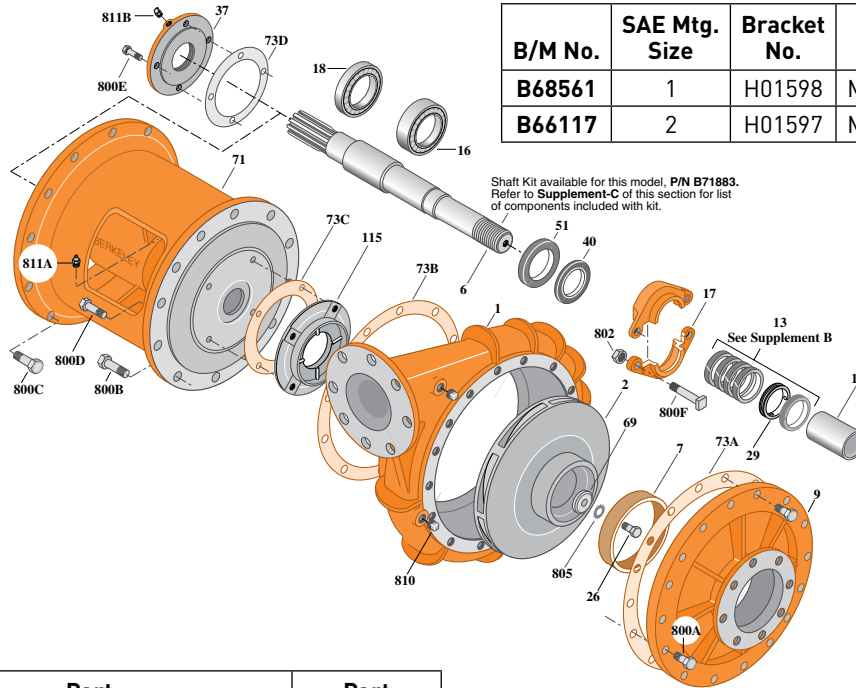
### Cast Iron Impeller

Flanged Case, Packing Construction

Section	SAE
Page	140.1
Date	March 4, 2013
Supersedes 12/01/11	

**Table I**

B/M No.	SAE Mtg. Size	Bracket No.	Shaft No.	Shaft Spline No.	Shaft Ext.
<b>B68561</b>	1	H01598	M06183	1-1/2-10T	3"
<b>B66117</b>	2	H01597	M06183	1-1/2-10T	3"



Item No.	Part Description	Part Number
1	Case, Volute	L01536
2	Impeller	L02409
6	Shaft (See Note)	See Table I
7	Ring, Wearing	S15718
9	Cover, Suction	L01541
13	Ring, Packing (Set of 4)	S13436
14	Sleeve, Shaft	S13436
16	Bearing, Ball	S13396
17	Gland, Packing	B82472
18	Bearing, Ball	S13395
26	Screw, Impeller 1/2-13x1-1/4"	S23621
29	Ring, Lantern	S18993
37	Outer Bearing Cap	M04998
40	Slinger, Water	S10964
51	Seal, Oil	S14765
69	Washer, Impeller	S06319
71	Bracket	See Table I
73A	Gasket, Suction Cover	S06401
73B	Gasket, Volute	S06271

Item No.	Part Description	Part Number
73C	Gasket, Balance Ring	S09943
73D	Gasket	S18055
115	Ring, Balance	S12304
800A	Capscrew, Hex 5/8-11x1-3/4" (16 Req.)	S27001
800B	Capscrew, Hex 5/8-11x1-1/2" (12 Req.)	S26999
800C	Capscrew, Hex 3/8-16x1-1/4" (12 Req. - SAE 1)	S26872
800C	Capscrew, Hex 3/8-16x1-1/4" (12 Req. - SAE 2)	S26828
800D	Capscrew, Hex 3/8-16x1" (4 Req.)	S26826
800E	Capscrew, Hex 1/4-20x3/4" (4 Req.)	S23119
800F	Bolt, Sq. Head 1/2-13x2-3/4" (2 Req.)	S23794
802	Nut, Hex 1/2-13x7/16" (2 Req.)	S23347
805	Washer, Lock	S23038
810	Plug, Pipe 1/2 NPT (4 Req.)	S23717
811A	Fitting, Grease	S23670
811B	Fitting, Grease	S23702
•	Fitting, Grease	S23700

• Not illustrated.



# BERKELEY® B4EYQBM

SAE ENGINE MOUNT

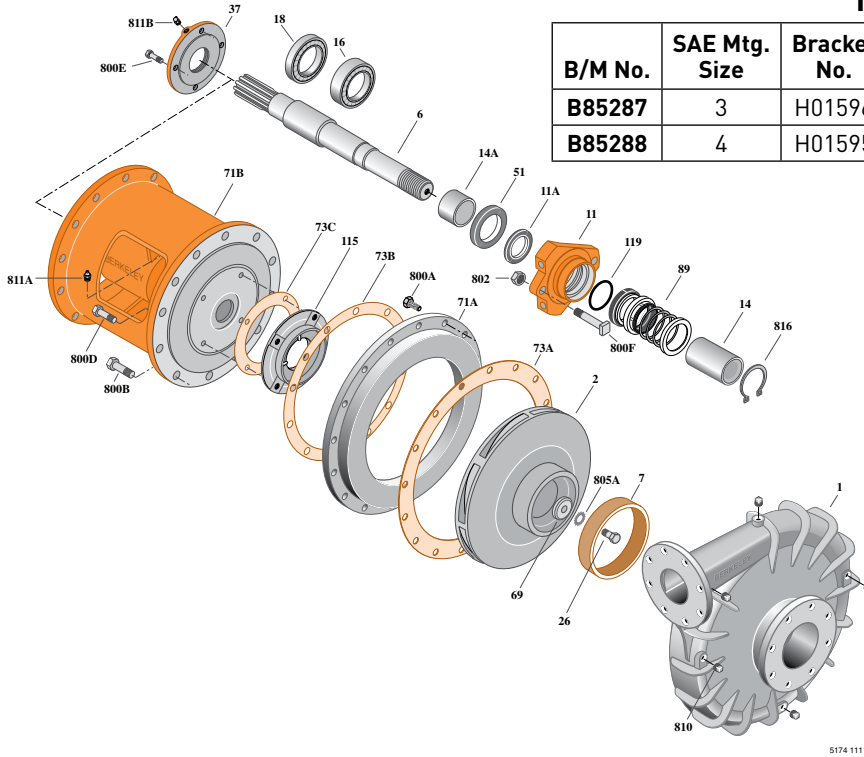
## Cast Iron Impeller

Flanged Case, Packing Construction

Section	SAE
Page	140.2.1
Date	March 4, 2013
Supersedes 12/01/11	

Table I

B/M No.	SAE Mtg. Size	Bracket No.	Shaft No.	Shaft Spline No.	Shaft Ext.
B85287	3	H01596	1-1/2-10T	3"	3"
B85288	4	H01595	1-1/2-10T	3"	2-1/2"



Item No.	Part Description	Part Number
1	Case, Volute	M13751
2	Impeller	L02409
6	Shaft (See Note)	KITB71883
7	Ring, Wearing	S15718
13	Ring, Packing (Set of 4)	S13436
14	Sleeve, Shaft	S05974
16	Bearing, Ball	S13396
17	Gland, Packing	B82472
18	Bearing, Ball	S13395
26	Screw, Impeller 1/2-13x1-1/4"	S23621
29	Ring, Lantern	S18993
37	Outer Bearing Cap	M04998
40	Slinger, Water	S10964
51	Seal, Oil	S14765
69	Washer, Impeller	S06319
71A	Ring, Adapter	M13753
71B	Bracket	See Table I

Item No.	Part Description	Part Number
73A	Gasket, Suction Cover	S06401
73B	Gasket, Volute	S06271
73C	Gasket, Balance Ring	S09943
115	Ring, Balance	S12304
800A	Capscrew, Hex 5/8-11x1-3/4" [16 Req.]	S27001
800B	Capscrew, Hex 5/8-11x1-1/2" [12 Req.]	S26999
800C	Capscrew, Hex 3/8-16x1-1/4" [12 Req.]	S26828
800D	Capscrew, Hex 3/8-16x1" [4 Req.]	S26826
800E	Capscrew, Hex 1/4-20x3/4" [4 Req.]	S23119
800F	Bolt, Sq. Head 1/2-13x2-3/4" [2 Req.]	S23794
802	Nut, Hex 1/2-13x7/16" [2 Req.]	S23347
805	Washer, Lock	S23038
810	Plug, Pipe 1/2 NPT [4 Req.]	S23717
811A	Fitting, Grease	S23670
811B	Fitting, Grease	S23702
•	Fitting, Grease (not illustrated)	S23700

• Not illustrated.



# BERKELEY® B4EYQBM

## SAE ENGINE MOUNT

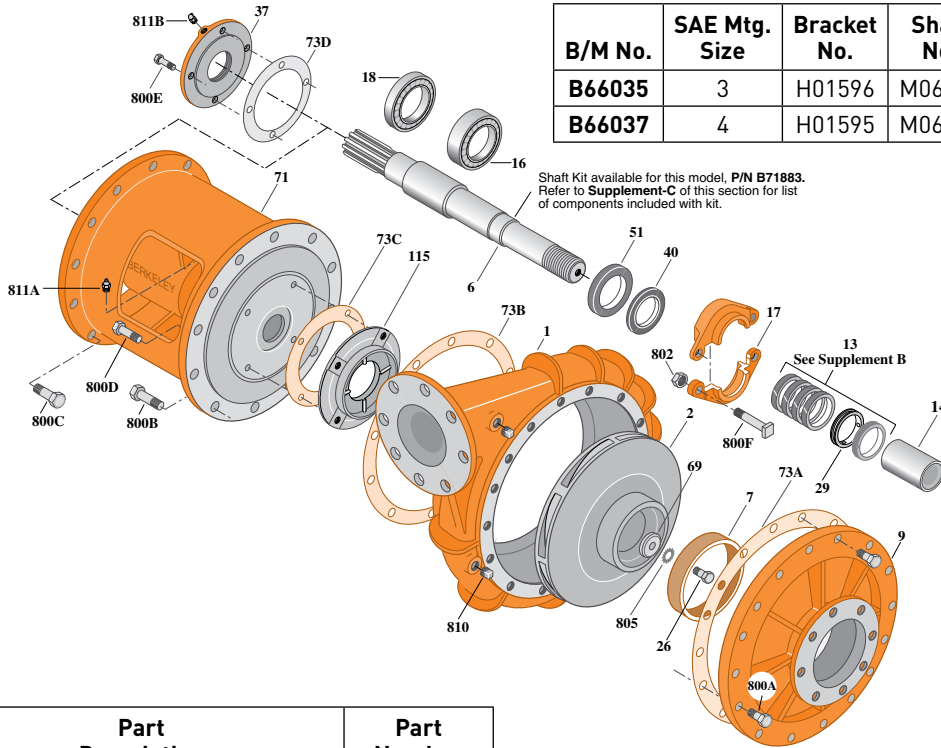
### Cast Iron Impeller

Flanged Case, Packing Construction

Section	SAE
Page	140.2
Date	March 4, 2013
Supersedes 12/01/11	

**Table I**

B/M No.	SAE Mtg. Size	Bracket No.	Shaft No.	Shaft Spline No.	Shaft Ext.
<b>B66035</b>	3	H01596	M06183	1-1/2-10T	3"
<b>B66037</b>	4	H01595	M06183	1-1/2-10T	3"



Item No.	Part Description	Part Number
1	Case, Volute	L01536
2	Impeller	L02409
6	Shaft [See Note]	See Table I
7	Ring, Wearing	S15718
9	Cover, Suction	L01541
13	Ring, Packing [Set of 4]	S13436
14	Sleeve, Shaft	S05974
16	Bearing, Ball	S13396
17	Gland, Packing	B82472
18	Bearing, Ball	S13395
26	Screw, Impeller 1/2-13x1-1/4"	S23621
29	Ring, Lantern	S18993
37	Outer Bearing Cap	M04998
40	Slinger, Water	S10964
51	Seal, Oil	S14765
69	Washer, Impeller	S06319
71	Bracket	See Table I
73A	Gasket, Suction Cover	S06401

Item No.	Part Description	Part Number
73B	Gasket, Volute	S06271
73C	Gasket, Balance Ring	S09943
73D	Gasket	S18055
115	Ring, Balance	S12304
800A	Capscrew, Hex 5/8-11x1-3/4" [16 Req.]	S27001
800B	Capscrew, Hex 5/8-11x1-1/2" [12 Req.]	S26999
800C	Capscrew, Hex 3/8-16x1-1/4" [12 Req.]	S26828
800D	Capscrew, Hex 3/8-16x1" [4 Req.]	S26826
800E	Capscrew, Hex 1/4-20x3/4" [4 Req.]	S23119
800F	Bolt, Sq. Head 1/2-13x2-3/4" [2 Req.]	S23794
802	Nut, Hex 1/2-13x7/16" [2 Req.]	S23347
805	Washer, Lock	S23038
810	Plug, Pipe 1/2 NPT [4 Req.]	S23717
811A	Fitting, Grease	S23670
811B	Fitting, Grease	S23702
•	Fitting, Grease	S23700

• Not illustrated.



# BERKELEY® B4EYQBH

## SAE ENGINE MOUNT

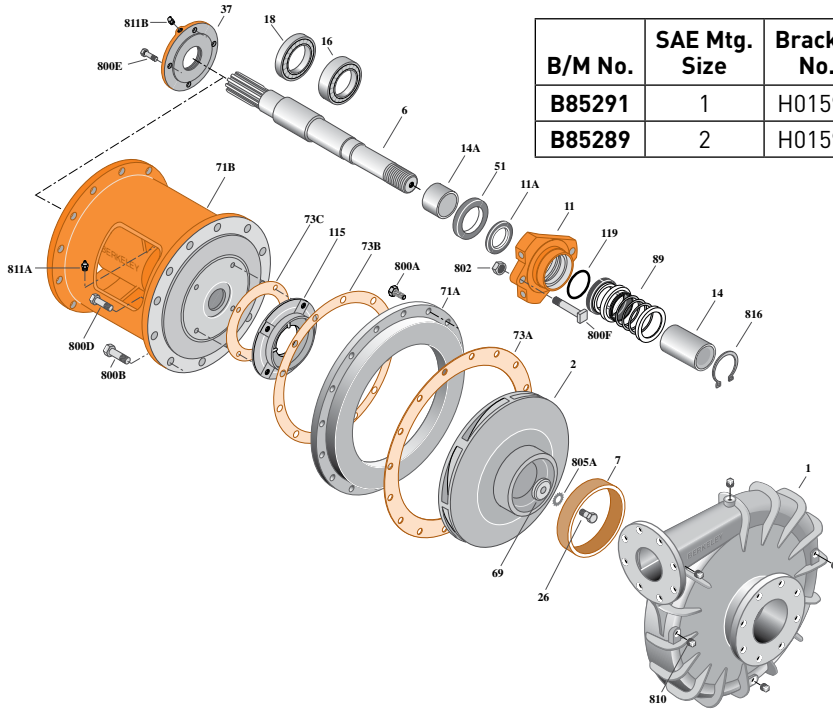
### Cast Iron Impeller

Flanged Case, Packing Construction

Section	SAE
Page	150.1.1
Date	March 4, 2013
Supersedes 12/01/11	

**Table I**

B/M No.	SAE Mtg. Size	Bracket No.	Shaft No.	Shaft Spline No.	Shaft Ext.
<b>B85291</b>	1	H01598	1-1/2-10T	3"	3"
<b>B85289</b>	2	H01597	1-1/2-10T	3"	2-1/2"



Item No.	Part Description	Part Number
1	Case, Volute	M13751
2	Impeller	L02634
6	Shaft (See Note)	KITB71883
7	Ring, Wearing	S15718
13	Ring, Packing (Set of 4)	S13436
14	Sleeve, Shaft	S05974
16	Bearing, Ball	S13396
17	Gland, Packing	B82472
18	Bearing, Ball	S13395
26	Screw, Impeller 1/2-13x1-1/4"	S23621
29	Ring, Lantern	S18993
37	Outer Bearing Cap	M04998
40	Slinger, Water	S10964
51	Seal, Oil	S14765
69	Washer, Impeller	S06319
71A	Ring, Adapter	M13753
71B	Bracket	See Table I
73A	Gasket, Suction Cover	S06401

Item No.	Part Description	Part Number
73B	Gasket, Volute	S06271
73C	Gasket, Balance Ring	S09943
115	Ring, Balance	S12304
800A	Capscrew, Hex 5/8-11x1-3/4" [16 Req.]	S27001
800B	Capscrew, Hex 5/8-11x1-1/2" [12 Req.]	S26999
800C	Capscrew, Hex 3/8-16x1-1/4" [12 Req. - SAE 1]	S26872
800C	Capscrew, Hex 3/8-16x1-1/4" [12 Req. - SAE 2]	S26828
800D	Capscrew, Hex 3/8-16x1" [4 Req.]	S26826
800E	Capscrew, Hex 1/4-20x3/4" [4 Req.]	S23119
800F	Bolt, Sq. Head 1/2-13x2-3/4" [2 Req.]	S23794
802	Nut, Hex 1/2-13x7/16" [2 Req.]	S23347
805	Washer, Lock	S23038
810	Plug, Pipe 1/2 NPT [4 Req.]	S23717
811A	Fitting, Grease	S23670
811B	Fitting, Grease	S23702
•	Fitting, Grease	S23700

• Not illustrated.





# BERKELEY® B4EYQBH

## Cast Iron Impeller

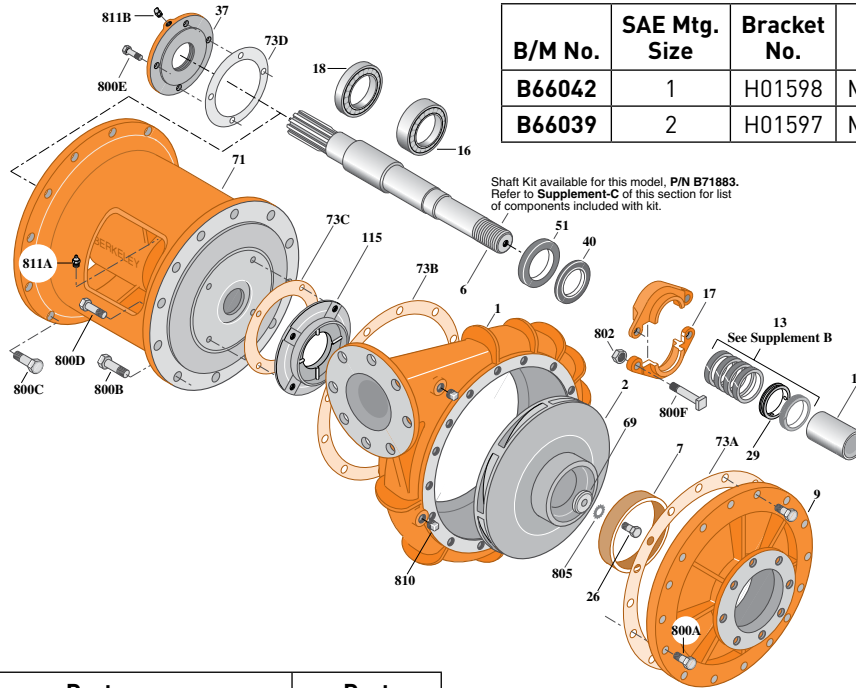
### Flanged Case, Packing Construction

SAE ENGINE MOUNT

Section	SAE
Page	150.1
Date	March 4, 2013
Supersedes 12/01/11	

**Table I**

B/M No.	SAE Mtg. Size	Bracket No.	Shaft No.	Shaft Spline No.	Shaft Ext.
<b>B66042</b>	1	H01598	M06183	1-1/2-10T	3"
<b>B66039</b>	2	H01597	M06183	1-1/2-10T	3"



Item No.	Part Description	Part Number
1	Case, Volute	L01536
2	Impeller	L02634
6	Shaft (See Note)	See Table I
7	Ring, Wearing	S15718
9	Cover, Suction	L01541
13	Ring, Packing (Set of 4)	S13436
14	Sleeve, Shaft	S05974
16	Bearing, Ball	S13396
17	Gland, Packing	B82472
18	Bearing, Ball	S13395
26	Screw, Impeller 1/2-13x1-1/4"	S23621
29	Ring, Lantern	S18993
37	Outer Bearing Cap	M04998
40	Slinger, Water	S10964
51	Seal, Oil	S14765
69	Washer, Impeller	S06319
71	Bracket	See Table I
73A	Gasket, Suction Cover	S06401
73B	Gasket, Volute	S06271

Item No.	Part Description	Part Number
73C	Gasket, Balance Ring	S09943
73D	Gasket	S18055
115	Ring, Balance	S12304
800A	Capscrew, Hex 5/8-11x1-3/4" (16 Req.)	S27001
800B	Capscrew, Hex 5/8-11x1-1/2" (12 Req.)	S26999
800C	Capscrew, Hex 7/16-14x1-1/4" (12 Req. - SAE 1)	S26872
800C	Capscrew, Hex 3/8-16x1-1/4" (12 Req. - SAE 2)	S26828
800D	Capscrew, Hex 3/8-16x1" (4 Req.)	S26826
800E	Capscrew, Hex 1/4-20x3/4" (4 Req.)	S23119
800F	Bolt, Sq. Head 1/2-13x2-3/4" (2 Req.)	S23794
802	Nut, Hex 1/2-13x7/16" (2 Req.)	S23347
805	Washer, Lock	S23038
810	Plug, Pipe 1/2 NPT (4 Req.)	S23717
811A	Fitting, Grease	S23670
811B	Fitting, Grease	S23702
•	Fitting, Grease	S23700

• Not illustrated.



# BERKELEY® B4EYQBH

## SAE ENGINE MOUNT

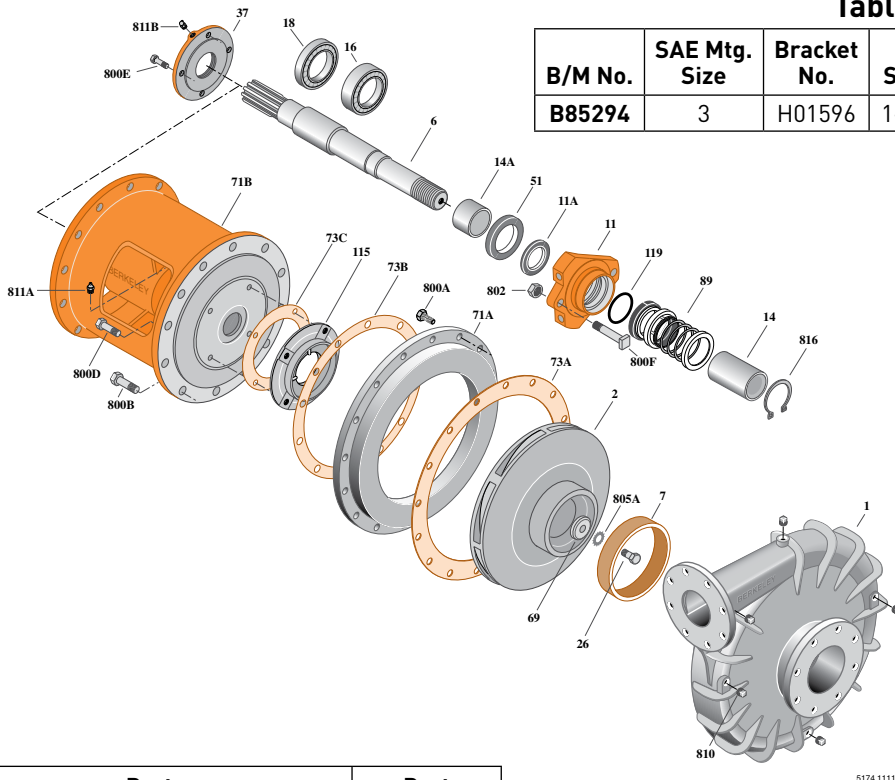
### Cast Iron Impeller

Flanged Case, Packing Construction

Section	SAE
Page	150.2.1
Date	March 4, 2013
Supersedes 12/01/11	

Table I

B/M No.	SAE Mtg. Size	Bracket No.	Shaft No.	Shaft Spline No.	Shaft Ext.
B85294	3	H01596	1-1/2-10T	3"	3"



Item No.	Part Description	Part Number
1	Case, Volute	M13751
2	Impeller	L02634
6	Shaft [See Note]	KITB71883
7	Ring, Wearing	S15718
13	Ring, Packing [Set of 4]	S13436
14	Sleeve, Shaft	S05974
16	Bearing, Ball	S13396
17	Gland, Packing	B82472
18	Bearing, Ball	S13395
26	Screw, Impeller 1/2-13x1-1/4"	S23621
29	Ring, Lantern	S18993
37	Outer Bearing Cap	M04998
40	Slinger, Water	S10964
51	Seal, Oil	S14765
69	Washer, Impeller	S06319
71A	Ring, Adapter	M13753
71B	Bracket	See Table I

Item No.	Part Description	Part Number
73A	Gasket, Suction Cover	S06401
73B	Gasket, Volute	S06271
73C	Gasket, Balance Ring	S09943
115	Ring, Balance	S12304
800A	Capscrew, Hex 5/8-11x1-3/4" [16 Req.]	S27001
800B	Capscrew, Hex 5/8-11x1-1/2" [12 Req.]	S26999
800C	Capscrew, Hex 3/8-16x1-1/4" [12 Req.]	S26828
800D	Capscrew, Hex 3/8-16x1" [4 Req.]	S26826
800E	Capscrew, Hex 1/4-20x3/4" [4 Req.]	S23119
800F	Bolt, Sq. Head 1/2-13x2-3/4" [2 Req.]	S23794
802	Nut, Hex 1/2-13x7/16" [2 Req.]	S23347
805	Washer, Lock	S23038
810	Plug, Pipe 1/2 NPT [4 Req.]	S23717
811A	Fitting, Grease	S23670
811B	Fitting, Grease	S23702
•	Fitting, Grease	S23700

• Not illustrated.



# BERKELEY® B4EYQBH

## SAE ENGINE MOUNT

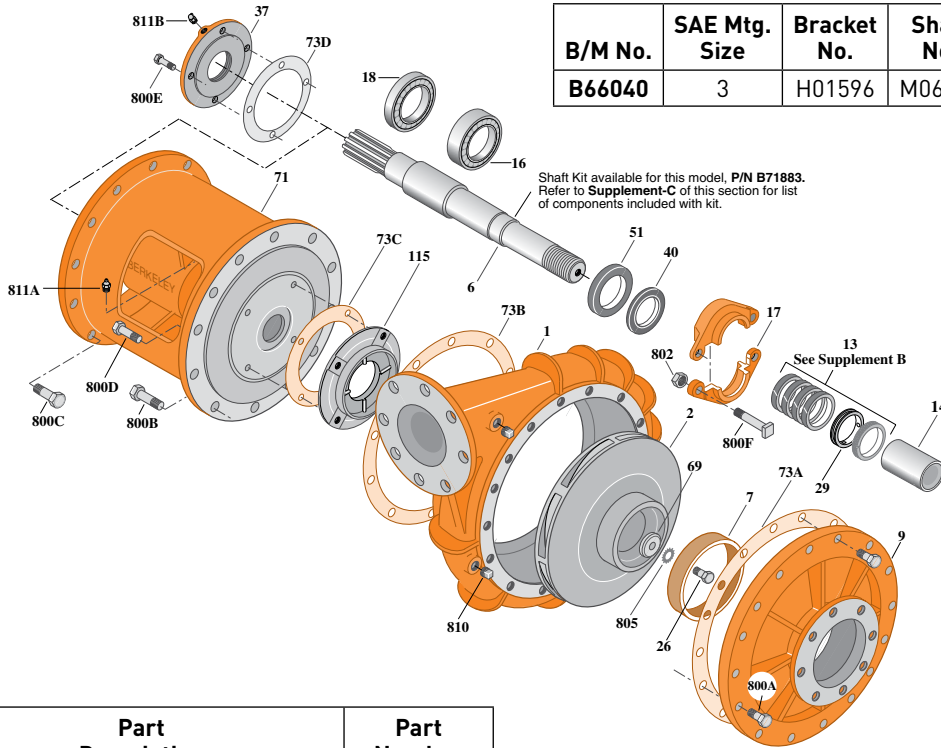
### Cast Iron Impeller

Flanged Case, Packing Construction

Section	SAE
Page	150.2
Date	March 4, 2013
Supersedes 12/01/11	

**Table I**

B/M No.	SAE Mtg. Size	Bracket No.	Shaft No.	Shaft Spline No.	Shaft Ext.
B66040	3	H01596	M06183	1-1/2-10T	3"



Item No.	Part Description	Part Number
1	Case, Volute	L01536
2	Impeller	L02634
6	Shaft [See Note]	See Table I
7	Ring, Wearing	S15718
9	Cover, Suction	L01541
13	Ring, Packing [Set of 4]	S13436
14	Sleeve, Shaft	S05974
16	Bearing, Ball	S13396
17	Gland, Packing	B82472
18	Bearing, Ball	S13395
26	Screw, Impeller 1/2-13x1-1/4"	S23621
29	Ring, Lantern	S18993
37	Outer Bearing Cap	M04998
40	Slinger, Water	S10964
51	Seal, Oil	S14765
69	Washer, Impeller	S06319
71	Bracket	See Table I
73A	Gasket, Suction Cover	S06401

Item No.	Part Description	Part Number
73B	Gasket, Volute	S06271
73C	Gasket, Balance Ring	S09943
73D	Gasket	S18055
115	Ring, Balance	S12304
800A	Capscrew, Hex 5/8-11x1-3/4" [16 Req.]	S27001
800B	Capscrew, Hex 5/8-11x1-1/2" [12 Req.]	S26999
800C	Capscrew, Hex 3/8-16x1-1/4" [12 Req.]	S26828
800D	Capscrew, Hex 3/8-16x1" [4 Req.]	S26826
800E	Capscrew, Hex 1/4-20x3/4" [4 Req.]	S23119
800F	Bolt, Sq. Head 1/2-13x2-3/4" [2 Req.]	S23794
802	Nut, Hex 1/2-13x7/16" [2 Req.]	S23347
805	Washer, Lock	S23038
810	Plug, Pipe 1/2 NPT [4 Req.]	S23717
811A	Fitting, Grease	S23670
811B	Fitting, Grease	S23702
•	Fitting, Grease	S23700

• Not illustrated.



# BERKELEY® B4EYQBHS

## SAE ENGINE MOUNT

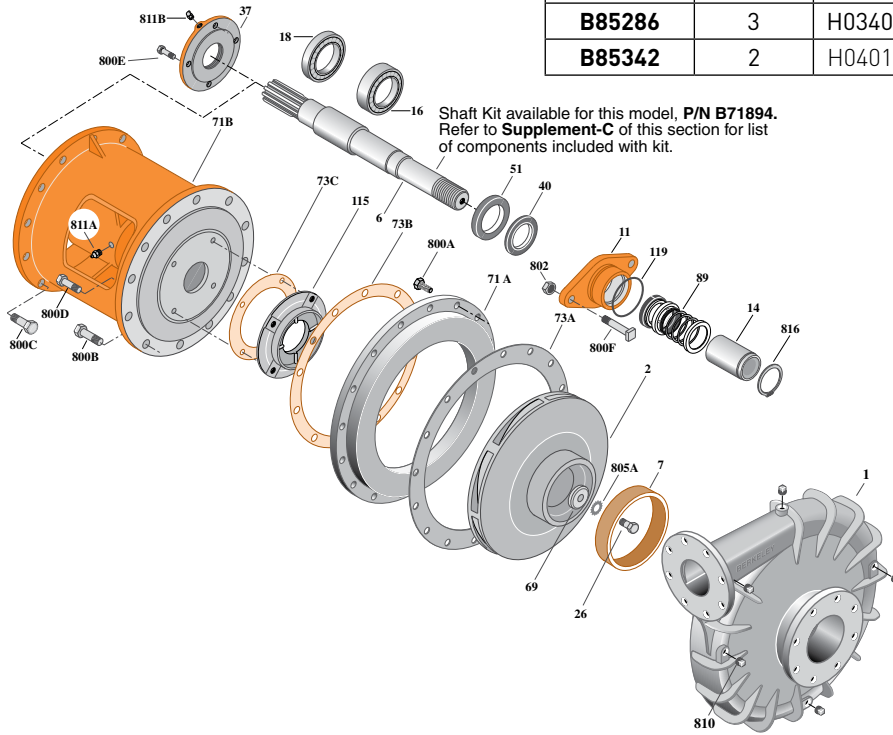
### Cast Iron Impeller

Flanged Case, Mechanical Seal Construction

Section	SAE
Page	150.3.1
Date	March 4, 2013
Supersedes 12/01/11	

**Table I**

B/M No.	SAE Mtg. Size	Bracket No.	Shaft No.	Shaft Spline No.	Shaft Ext.
<b>B85286</b>	3	H03403	1-1/2-10T	3"	3"
<b>B85342</b>	2	H04011	1-1/2-10T	3"	2-1/2"



Item No.	Part Description	Part Number
1	Case, Volute	M13751
2	Impeller	L02634
6	Shaft	KITB71894
7	Ring, Wearing	S15718
11	Retainer, Mechanical Seal	S11452
14	Sleeve, Shaft	S33429
16	Bearing, Ball	S13396
18	Bearing, Ball	S13395
26	Screw, Impeller 1/2-13x1"	S23619
37	Outer Bearing Cap	M04998
51	Seal, Oil	S14765
69	Washer, Impeller	S06319
71A	Ring, Adapter	M13753
71B	Bracket	See Table I
73A	Gasket, Suction	S06401
73B	Gasket, Volute	S06271

Item No.	Part Description	Part Number
73C	Gasket, Balance Ring	S09943
89	Seal, Mechanical Shaft	S32694
115	Ring, Balance	S13655
119	O-Ring	S26471
800A	Capscrew, Hex 5/8-11x1-3/4" [16 Req.]	S27001
800B	Capscrew, Hex 5/8-11x1-1/2" [12 Req.]	S26999
800C	Capscrew, Hex 3/8-16x1-1/4" [12 Req.]	S26828
800D	Capscrew, Hex 3/8-16x1" [4 Req.]	S26826
800E	Capscrew, Hex 1/4-20x3/4" [4 Req.]	S23119
800F	Bolt, Sq. Head 1/2-13x2-1/4" [2 Req.]	S23792
802	Nut, Hex 1/2-13x7/16" [2 Req.]	S23347
805	Washer, Lock	S23038
810	Plug, Pipe 1/2 NPT [4 Req.]	S23717
811A	Fitting, Grease	S23670
811B	Fitting, Grease	S23702
816	Ring, Retaining	S29341



# BERKELEY® B4EYQBHS

## SAE ENGINE MOUNT

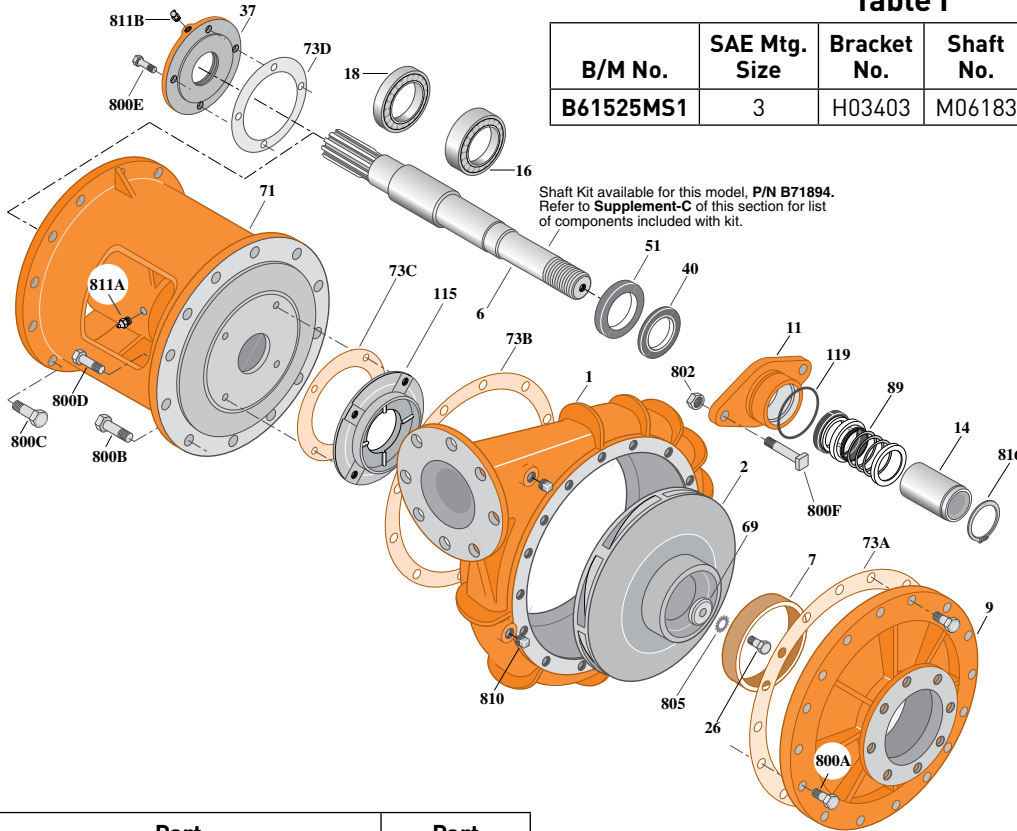
### Cast Iron Impeller

Flanged Case, Mechanical Seal Construction

Section	SAE
Page	150.3
Date	March 4, 2013
Supersedes 12/01/11	

**Table I**

B/M No.	SAE Mtg. Size	Bracket No.	Shaft No.	Shaft Spline No.	Shaft Ext.
B61525MS1	3	H03403	M06183	1-1/2-10T	3"



Item No.	Part Description	Part Number
1	Case, Volute	L01536
2	Impeller	L02634
6	Shaft (See Note)	See Table I
7	Ring, Wearing	S15718
9	Cover, Suction	L01541
11	Retainer, Mechanical Seal	S11452
14	Sleeve, Shaft	S33429
16	Bearing, Ball	S13396
18	Bearing, Ball	S13395
26	Screw, Impeller 1/2-13x1"	S23619
37	Outer Bearing Cap	M04998
51	Seal, Oil	S14765
69	Washer, Impeller	S06319
71	Bracket	See Table I
73A	Gasket, Suction Cover	S06401
73B	Gasket, Volute	S06271
73C	Gasket, Balance Ring	S09943

Item No.	Part Description	Part Number
73D	Gasket	S18055
89	Seal, Mechanical Shaft	S32694
115	Ring, Balance	S13655
119	O-Ring	S26471
800A	Capscrew, Hex 5/8-11x1-3/4" [16 Req.]	S27001
800B	Capscrew, Hex 5/8-11x1-1/2" [12 Req.]	S26999
800C	Capscrew, Hex 3/8-16x1-1/4" [12 Req.]	S26828
800D	Capscrew, Hex 3/8-16x1" [4 Req.]	S26826
800E	Capscrew, Hex 1/4-20x3/4" [4 Req.]	S23119
800F	Bolt, Sq. Head 1/2-13x2-1/4" [2 Req.]	S23792
802	Nut, Hex 1/2-13x7/16" [2 Req.]	S23347
805	Washer, Lock	S23038
810	Plug, Pipe 1/2 NPT [4 Req.]	S23717
811A	Fitting, Grease	S23670
811B	Fitting, Grease	S23702
816	Ring, Retaining	S29341



# BERKELEY® B4EYQBHS

SAE ENGINE MOUNT

## Cast Iron Impeller

Flanged Case, Mechanical Shaft Seal Construction

Section	SAE
Page	150.4
Date	March 4, 2013
Supersedes 01/01/12	

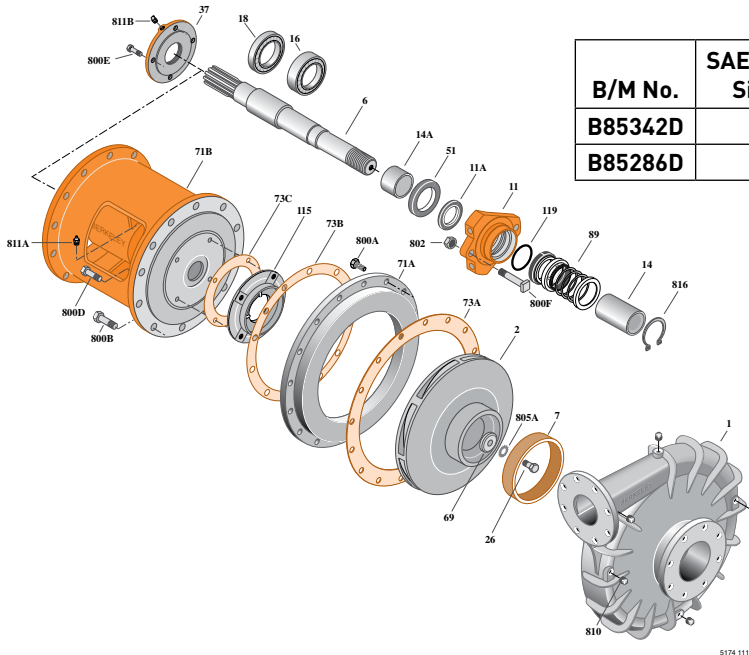


Table I

B/M No.	SAE Mtg. Size	Bracket No.	Shaft No.	Shaft Spline No.	Shaft Ext.
B85342D	2	M14967	M06183	1-1/2-10T	3"
B85286D	3	M14966	M06183	1-1/2-10T	3"

Item No.	Part Description	Part Number
1	Case, Volute	M13751
2	Impeller	L02634
6	Shaft	See Table 1
7	Ring, Wearing	S15718
11	Retainer, Mechanical Shaft Seal, Dry Run	M14959
11A	Dry run Gland Lip Seal	M12337
14	Sleeve, Shaft	S33429L
14A	Sleeve, Shaft	M14971
16	Bearing, Ball	S13396
18	Bearing, Ball	S13395
26	Screw, Impeller 1/2-13x1-1/4"	S23621
37	Outer Bearing Cap Assembly	M04998
51	Seal, Oil	S14765
69	Washer, Impeller	S06319
71A	Ring, adapter	M13753
71B	Bracket	See Table 1
73A	Gasket, Volute	S06271
73B	Gasket, Suction cover	S06401
73C	Gasket, Balance Ring	S09943
89	Seal, Mechanical Shaft	S32693
115	Ring, Balance	S13655

Item No.	Part Description	Part Number
119	O-Ring	M14972
800B	Capscrew, Hex 5/8-11x1-1/2" (10 Rqd.)	S26999
800B	Capscrew, Hex 5/8-11x1-3/4" (2 Rqd.) top ctr	S27001
800D	Capscrew, Hex 1/4-20x3/4" (4 Rqd.)	S26826
800E	Capscrew, Hex 1/4-20 X 3/4LG CR (4 Rqd.)	S23119
800F	Bolt, Sq. Head 1/2-13x2-1/4" (2 Rqd.)	S23792
802	Nut, Hex 1/2-13 (2 Rqd.)	S23347
805A	Washer, Lock	S23038
810	Plug, Pipe 1/2 NPT (4 Rqd.)	S23717
811A	Fitting, Grease	S23670
811B	Fitting, Grease	S23702
816	Ring, Retaining	S29341

**NOTE 1: Shaft Replacement Kit** is available for this model. Berkeley part number **B71894**. Pump shaft sold in replacement kit only. Refer to **Supplement C** for shaft kit components.

**NOTE 2:** Refer to **Supplement F** for dry run tank repair parts. Dry run lubrication system requires one gallon of food grade hydraulic oil (FGHO), viscosity 150 SSU at 100° F. Oil not supplied, purchase locally.





# BERKELEY® B5ZQBH

## Cast Iron Impeller

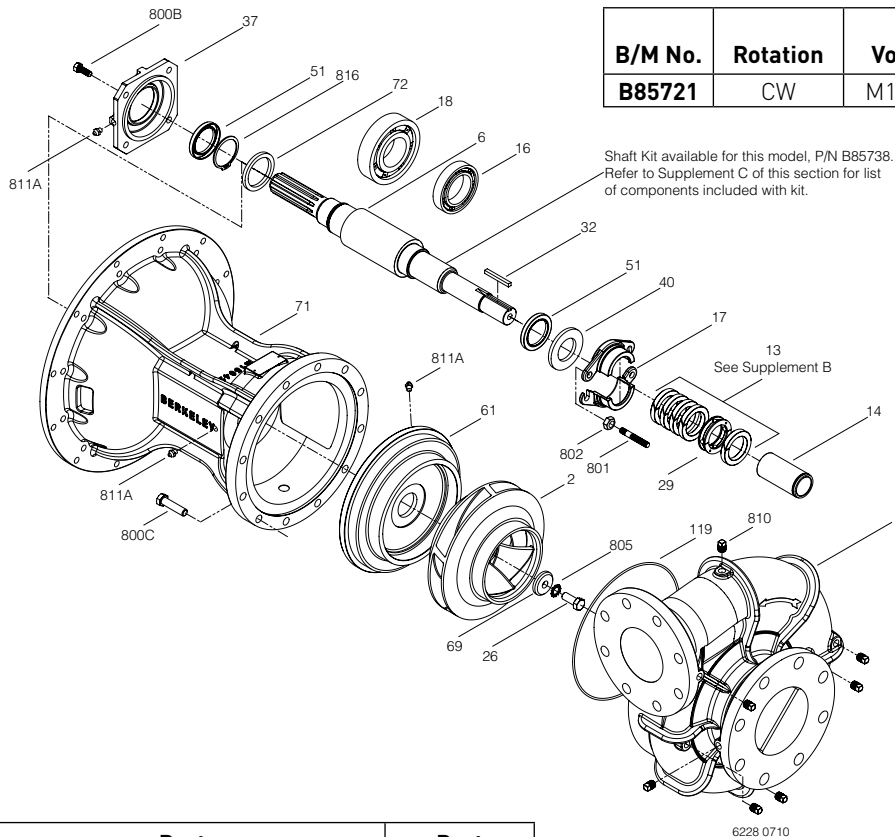
Flanged Case, Packing Construction

SAE ENGINE MOUNT

Section	SAE
Page	157.1
Date	March 4, 2013
Supersedes 08/17/10	

Table I

B/M No.	Rotation	Volute	Impeller	Impeller Diameter
B85721	CW	M15049	M15052	9.50"



Item No.	Part Description	Part Number
1	Case, Volute	M15049
2	Impeller	M15052
6	Shaft	M15092
13	Ring, Packing (Set of 4)	S13435
14	Sleeve, Shaft (Note 3)	B85741
16	Bearing, Ball	M15097
17	Gland, Packing	B82470
18	Bearing, Ball	S13754
26	Screw, Impeller	S23621
29	Ring, Lantern	S19200
32	Key, 1/4" x 2-1/4"	S23677
37	Outer Bearing Cap	M15054
40	Slinger, Water	S10964
51	Seal, Oil (2 rqd)	M12337
61	Plate, Seal	M15047
69	Washer, Impeller	S06319
71	Bracket	M15042
72	Ring, Thrust	M15095

Item No.	Part Description	Part Number
119	O-Ring	M15099
800B	Screw, 3/8-16 x 1" LG CRS (4 rqd)	S26826
800C	Screw, 1/2-13NC x 2" LG CRS (12 rqd)	S26920
801	Stud, 3/8-16NC x 2-1/2" LG 416SS (2 rqd)	S04438
802	Nut, Hex, Lock 3/8-16 SS (2 rqd)	M13771
805	Washer, Lock	S23038
810	Plug, Pipe	S23715
811A	Fitting, Grease (2 rqd)	S23700
811B	Fitting, Grease	S23702
816	Ring, Retaining	M15094

**NOTE 1: Shaft replacement kit B85738** includes items 6, 14, 16, 18, 26, 32, 40, 51, 69, 72, 805, 816.

**NOTE 2: Impeller kit B85754** includes items 26, 32, 69, 119, 805.

**NOTE 3: Shaft sleeve kit B85741** includes item 14, adhesive and instruction sheet.



# BERKELEY® B5ZQBHS

SAE ENGINE MOUNT

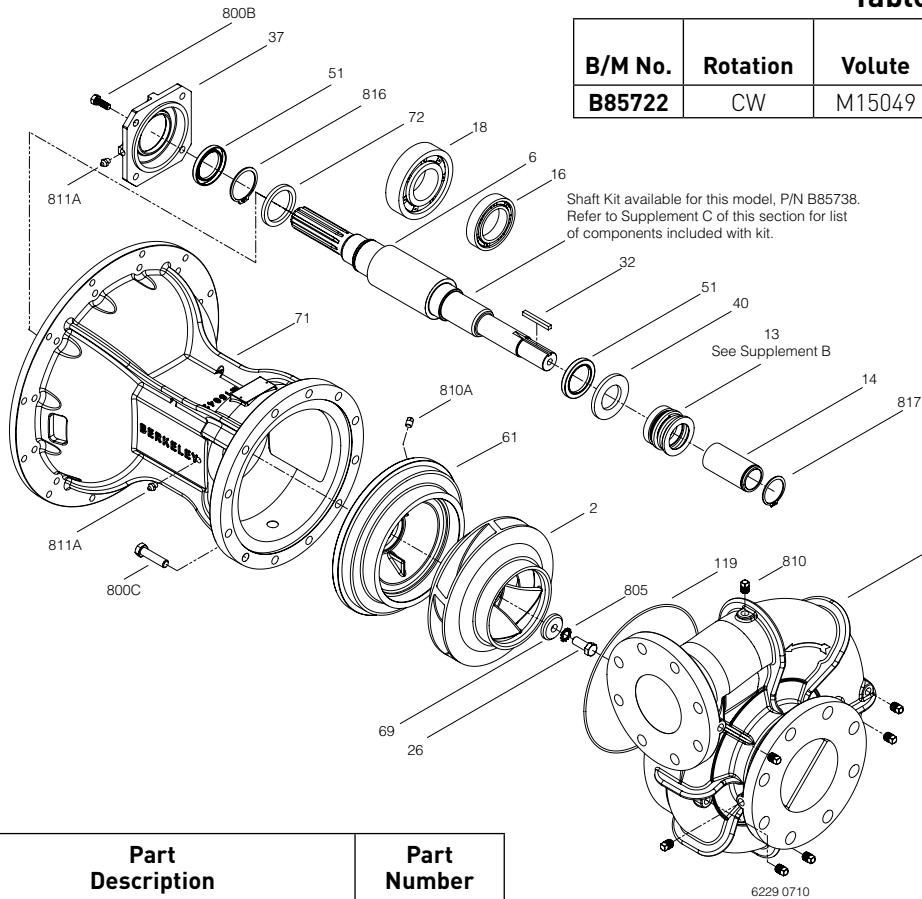
## Cast Iron Impeller

Flanged Case, Mechanical Shaft Seal Construction

Section	SAE
Page	157.2
Date	March 4, 2013
Supersedes 08/17/10	

**Table I**

B/M No.	Rotation	Volute	Impeller	Impeller Diameter
B85722	CW	M15049	M15052	9.50"



Item No.	Part Description	Part Number
1	Case, Volute	M15049
2	Impeller	M15052
6	Shaft	M15092
13	Seal, Shaft	S32015
14	Sleeve, Shaft (Note 3)	B85741
16	Bearing, Ball	M15097
18	Bearing, Ball	S13754
26	Screw, Impeller	S23621
32	Key, 1/4" x 2-1/4"	S23677
37	Outer Bearing Cap	M15054
40	Slinger, Water	S10964
51	Seal, Grease (2 rqd)	M12337
61	Plate, Seal	M15046
69	Washer, Lock	S06319
71	Bracket	M15042
72	Ring, Thrust	M15095
119	O-Ring	M15099
800B	Screw, 3/8-16 X 1" LG CRS [4 rqd]	S26826

Item No.	Part Description	Part Number
800C	Screw, 1/2-13NC X 2" LG CRS [12 rqd]	S26920
805	Washer, Lock	S23038
810	Plug, Pipe	S23715
810A	Plug, Pipe	U78-56ZPS
811A	Fitting, Grease [2 rqd]	S23700
816	Ring, Retaining	M15094
817	Ring, Retaining	S16767

**NOTE 1: Shaft replacement kit B85738** includes items 6, 14, 16, 18, 26, 32, 40, 51, 69, 72, 805, 816.

**NOTE 2: Impeller kit B85754** includes items 26, 32, 69, 119, 805.

**NOTE 3: Shaft sleeve kit B85741** includes item 14, adhesive and instruction sheet.



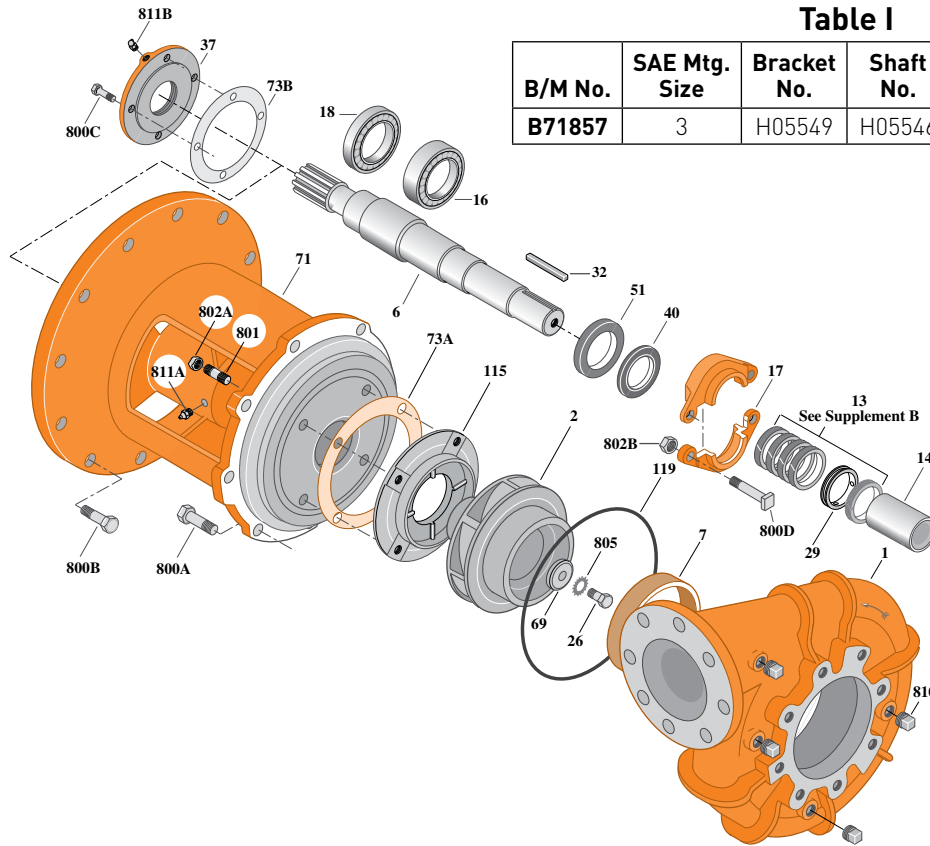
# BERKELEY® B5EQBH

## Cast Iron Impeller

Flanged Case, Packing Construction

### SAE ENGINE MOUNT

Section	SAE
Page	160.1
Date	March 4, 2013
Supersedes 01/01/04	



**Table I**

B/M No.	SAE Mtg. Size	Bracket No.	Shaft No.	Shaft Spline No.	Shaft Ext.
B71857	3	H05549	H05546	1-3/8-10T	3"

Item No.	Part Description	Part Number
1	Case, Volute	H02692
2	Impeller	H05088
6	Shaft	See Table I
7	Ring, Wearing	S15630
13	Ring, Packing (Set of 4)	S13436
14	Sleeve, Shaft	S05974
16	Bearing, Ball	S13396
17	Gland, Packing	B82472
18	Bearing, Ball	S13395
26	Screw, Impeller 1/2-13x1"	S23619
29	Ring, Lantern	S18993
32	Key, 1/4 x 2-1/4"	S34383
37	Outer Bearing Cap	M10979
40	Slinger, Water	S10964
51	Seal, Oil	S14765
69	Washer, Impeller	S06319

Item No.	Part Description	Part Number
71	Bracket	See Table I
73A	Gasket, Balance Ring	S09943
73B	Gasket	S18055
115	Ring, Balance	S12334
119	O-Ring	S13760
800A	Capscrew, Hex 1/2-13x1-1/2" (8 Req.)	S26914
800B	Capscrew, Hex 3/8-16x1" (12 Req.)	S26826
800C	Capscrew, Hex 1/4-20x3/4" (4 Req.)	S23119
800D	Bolt, Sq. Head 1/2-13x2-3/4" (2 Req.)	S23794
801	Stud, 3/8-16x1-1/2" (4 Req.)	S23995
802A	Nut, Hex 3/8-16 (4 Req.)	S23103
802B	Nut, Hex 1/2-13x7/16" (2 Req.)	S23347
805	Washer, Lock	S23038
810	Plug, Pipe 1/2 NPT (4 Req.)	S23717
811A	Fitting, Grease	S23670
811B	Fitting, Grease	S23702



# BERKELEY® B5EQBH

## Cast Iron Impeller

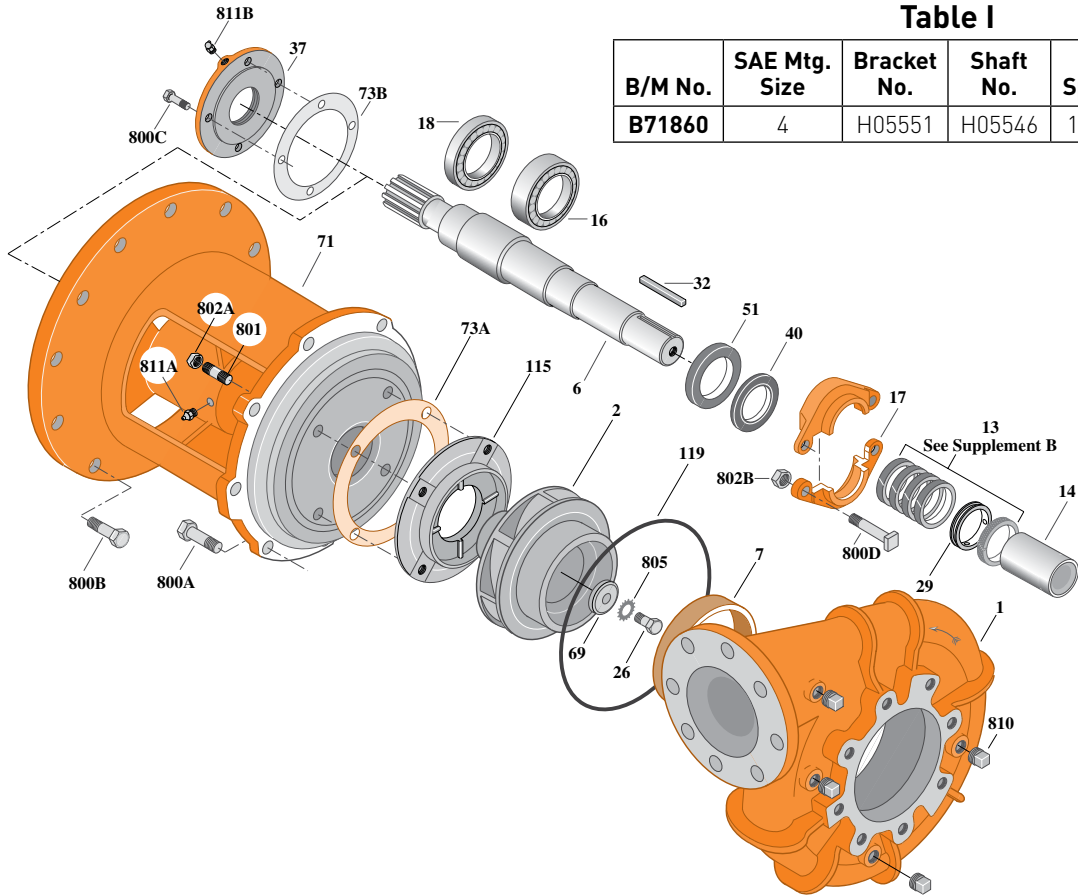
Flanged Case, Packing Construction

SAE ENGINE MOUNT

Section	SAE
Page	160.2
Date	March 4, 2013
Supersedes 01/01/04	

Table I

B/M No.	SAE Mtg. Size	Bracket No.	Shaft No.	Shaft Spline No.	Shaft Ext.
B71860	4	H05551	H05546	1-3/8-10T	3"



Item No.	Part Description	Part Number
1	Case, Volute	H02692
2	Impeller	L04513
6	Shaft	See Table I
7	Ring, Wearing	S15630
13	Ring, Packing [Set of 4]	S13436
14	Sleeve, Shaft	S05974
16	Bearing, Ball	S13396
17	Gland, Packing	B82472
18	Bearing, Ball	S13395
26	Screw, Impeller 1/2-13x1"	S23619
29	Ring, Lantern	S18993
32	Key, 1/4 x 2-1/4"	S23677
37	Outer Bearing Cap	M10979
40	Slinger, Water	S10964
51	Seal, Oil	S14765
69	Washer, Impeller	S06319

Item No.	Part Description	Part Number
71	Bracket	See Table I
73A	Gasket, Balance Ring	S09943
73B	Gasket	S18055
115	Ring, Balance	S12334
119	O-Ring	S13760
800A	Capscrew, Hex 1/2-13x1-1/2" [8 Req.]	S26914
800B	Capscrew, Hex 3/8-16x1" [12 Req.]	S26826
800C	Capscrew, Hex 1/4-20x3/4" [4 Req.]	S23119
800D	Bolt, Sq. Head 1/2-13x2-3/4" [2 Req.]	S23794
801	Stud, 3/8-16x1-1/2" [4 Req.]	S23995
802A	Nut, Hex 3/8-16 [4 Req.]	S23103
802B	Nut, Hex 1/2-13x7/16" [2 Req.]	S23347
805	Washer, Lock	S23038
810	Plug, Pipe 1/2 NPT [4 Req.]	S23717
811A	Fitting, Grease	S23670
811B	Fitting, Grease	S23702



# BERKELEY® B5EXQBHS

SAE ENGINE MOUNT

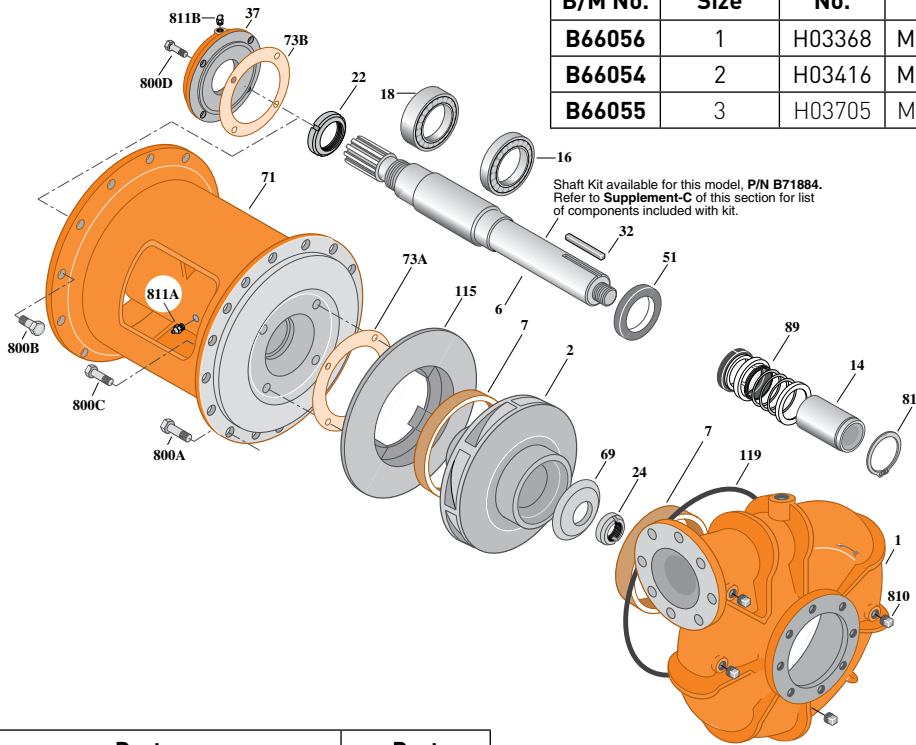
## Cast Iron Impeller

Flanged Case, Mechanical Seal Construction

Section	SAE
Page	170.1
Date	March 4, 2013
Supersedes 01/01/04	

Table I

B/M No.	SAE Mtg. Size	Bracket No.	Shaft No.	Shaft Spline No.	Shaft Ext.
B66056	1	H03368	M06735	1-1/2-10T	3"
B66054	2	H03416	M06735	1-1/2-10T	3"
B66055	3	H03705	M06735	1-1/2-10T	3"



Item No.	Part Description	Part Number
1	Case, Volute	H03348
2	Impeller	H03421
6	Shaft (See Note)	See Table I
7	Ring, Wearing	M10758
14	Sleeve, Shaft	S19499
16	Bearing, Ball	S19502
18	Bearing, Ball	S18336
22	Nut, Bearing Lock	S19498
24	Nut, Impeller Lock	S09606
32	Key, 1/2 x 2"	S26545
37	Outer Bearing Cap	M06729
51	Seal, Oil	S19501
69	Washer, Impeller	S18720
71	Bracket	See Table I
73A	Gasket, Balance Ring	S09943
73B	Gasket	S19665

Item No.	Part Description	Part Number
89	Seal, Mechanical Shaft	S30320
115	Ring, Balance	M06728
119	O-Ring	S14444
800A	Capscrew, 5/8-11x1-3/4" (16 Req.)	S27001
800B	Capscrew, 7/16-14x1-1/2" (12 Req. - SAE 1)	S26874
800B	Capscrew, 3/8-16x1-1/4" (12 Req. - SAE 2, SAE 3)	S26828
800C	Capscrew, 3/8-16x1" (4 Req.)	S26826
800D	Capscrew, 3/8-16x7/8" (4 Req.)	S26825
810	Plug, Pipe 1/2 NPT (4 Req.)	S23717
811A	Fitting, Grease	S23670
811B	Fitting, Grease	S23702
816	Ring, Retaining	S17831
•	Fitting, Grease	S23670

• Not illustrated.



# BERKELEY® B6ZQBHH

SAE ENGINE MOUNT

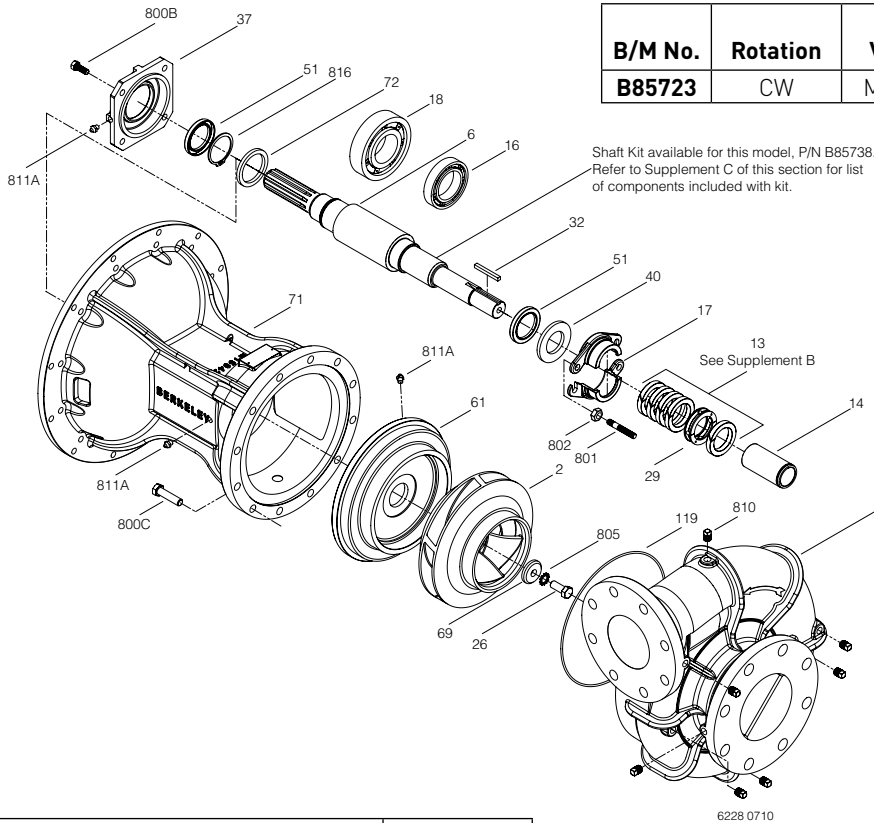
## Cast Iron Impeller

Flanged Case, Packing Construction

Section	SAE
Page	176.1
Date	March 4, 2013
Supersedes 10/14/10	

Table I

B/M No.	Rotation	Volute	Impeller	Impeller Diameter
B85723	CW	M15050	M15053	9.50"



Item No.	Part Description	Part Number
1	Case, Volute	M15050
2	Impeller	M15053
6	Shaft	M15092
13	Ring, Packing (Set of 4)	S13435
14	Sleeve, Shaft (Note 3)	B85741
16	Bearing, Ball	M15097
17	Gland, Packing	B82470
18	Bearing, Ball	S13754
26	Screw, Impeller	S23621
29	Ring, Lantern	S19200
32	Key, 1/4" x 2-1/4"	S23677
37	Outer Bearing Cap	M15054
40	Slinger, Water	S10964
51	Seal, Oil (2 rqd)	M12337
61	Plate, Seal	M15047
69	Washer, Impeller	S06319
71	Bracket	M15042
72	Ring, Thrust	M15095

Item No.	Part Description	Part Number
119	O-Ring	M15099
800B	Screw, 3/8-16 x 1" LG CRS (4 rqd)	S26826
800C	Screw, 1/2-13NC x 2" LG CRS (12 rqd)	S26920
801	Stud, 3/8-16NC X 2-1/2" LG 416SS (2 rqd)	S04438
802	Nut, Hex, Lock 3/8-16 SS (2 rqd)	M13771
805	Washer, Lock	S23038
810	Plug, Pipe	S23715
811A	Fitting, Grease (2 rqd)	S23700
811B	Fitting, Grease	S23702
816	Ring, Retaining	M15094

**NOTE 1: Shaft replacement kit B85738** includes items 6, 14, 16, 18, 26, 32, 40, 51, 69, 72, 805, 816.

**NOTE 2: Impeller kit B85754** includes items 26, 32, 69, 119, 805.

**NOTE 3: Shaft sleeve kit B85741** includes item 14, adhesive and instruction sheet.





# BERKELEY® B6ZQBHHS

SAE ENGINE MOUNT

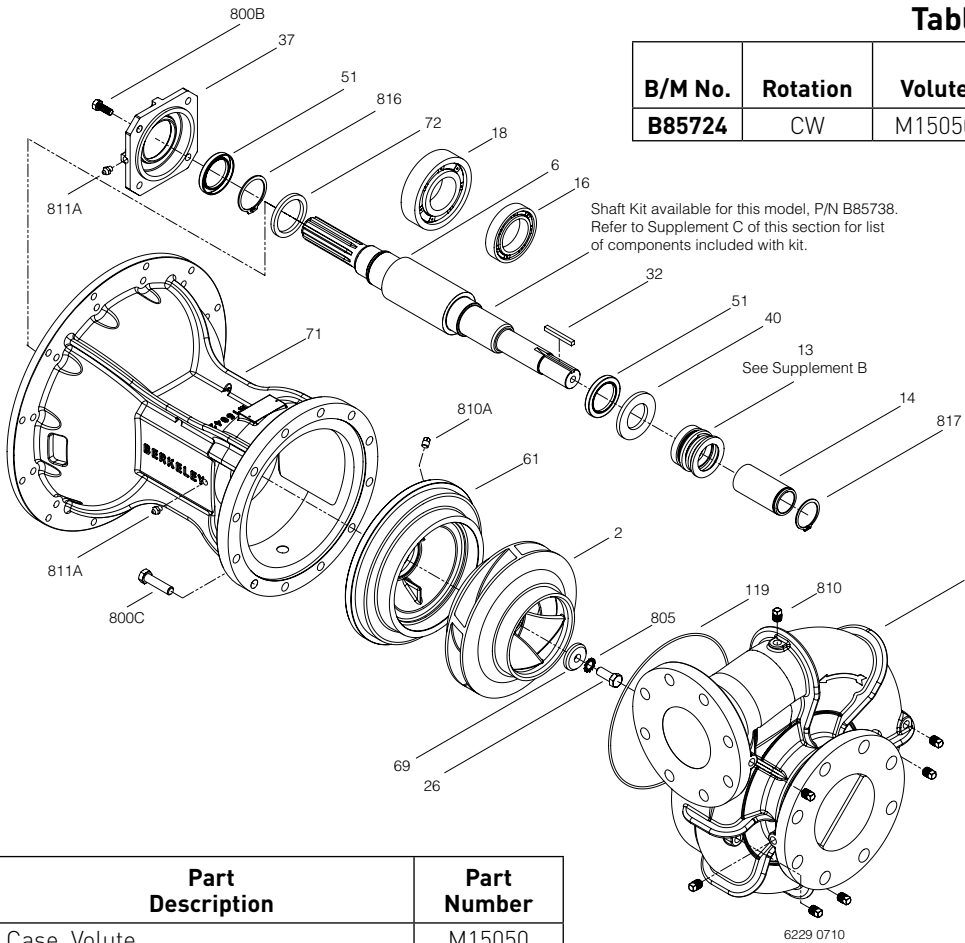
## Cast Iron Impeller

Flanged Case, Mechanical Shaft Seal Construction

Section	SAE
Page	176.2
Date	March 4, 2013
Supersedes 10/14/10	

Table I

B/M No.	Rotation	Volute	Impeller	Impeller Diameter
B85724	CW	M15050	M15053	9.50"



Item No.	Part Description	Part Number
1	Case, Volute	M15050
2	Impeller	M15053
6	Shaft	M15092
13	Seal, Shaft	S32015
14	Sleeve, Shaft (Note 3)	B85741
16	Bearing, Ball	M15097
18	Bearing, Ball	S13754
26	Screw, Impeller	S23621
32	Key, 1/4" X 2-1/4"	S23677
37	Outer Bearing Cap	M15054
40	Slinger, Water	S10964
51	Seal, Grease (2 rqd)	M12337
61	Plate, Seal	M15046
69	Washer, Lock	S06319
71	Bracket	M15042
72	Ring, Thrust	M15095
119	O-Ring	M15099
800B	Screw, 3/8-16 x 1" LG CRS (4 rqd)	S26826

Item No.	Part Description	Part Number
800C	Screw, 1/2-13NC x 2" LG CRS (12 rqd)	S26920
805	Washer, Lock	S23038
810	Plug, Pipe	S23715
810A	Plug, Pipe	U78-56ZPS
811A	Fitting, Grease (2 rqd)	S23700
816	Ring, Retaining	M15094
817	Ring, Retaining	S16767

**NOTE 1: Shaft replacement kit B85738** includes items 6, 14, 16, 18, 26, 32, 40, 51, 69, 72, 805, 816.

**NOTE 2: Impeller kit B85754** includes items 26, 32, 69, 119, 805.

**NOTE 3: Shaft sleeve kit B85741** includes item 14, adhesive and instruction sheet.



# BERKELEY® B6ZQL

## Cast Iron Impeller

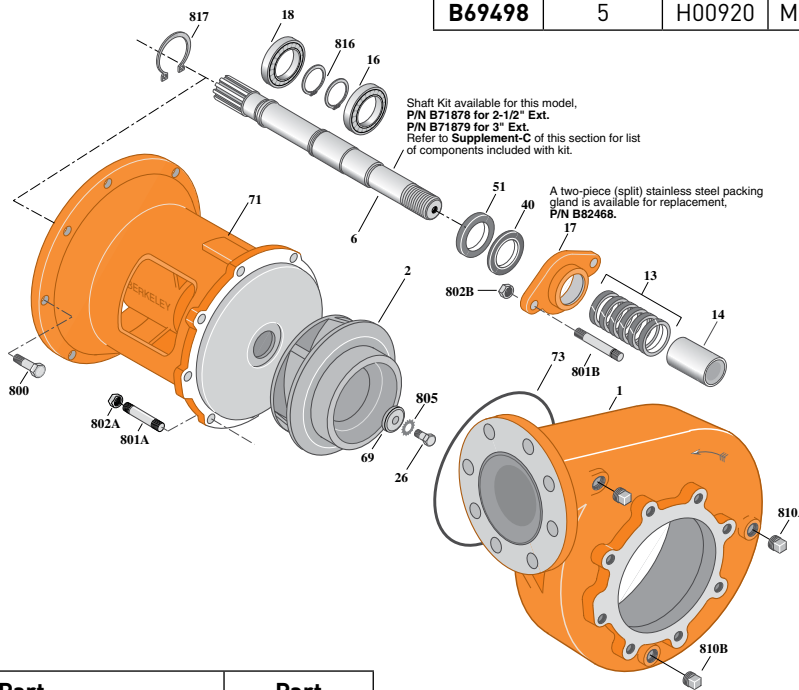
### Flanged Case, Packing Construction

## SAE ENGINE MOUNT

Section	SAE
Page	180.1
Date	March 4, 2013
Supersedes 07/01/11	

**Table I**

B/M No.	SAE Mtg. Size	Bracket No.	Shaft No.	Shaft Spline No.	Shaft Ext.
<b>B70293</b>	4	H00925	M04154	1-3/8-10T	3"
<b>B69498</b>	5	H00920	M02711	1-3/8-10T	2-1/2"



1985A 1210

Item No.	Part Description	Part Number
1	Case, Volute	H05065
2	Impeller	M04272
6	Shaft (See Note)	See Table I
13	Ring, Packing (Set of 6)	S14022
14	Sleeve, Shaft	S05127
16	Bearing, Ball	S13270
17	Gland, Packing	S04948
18	Bearing, Ball	S14059
26	Screw, Impeller 3/8-16x2-1/4"	S23575
40	Slinger, Water	S12260
51	Seal, Oil	S14762
69	Washer, Impeller	S06314
71	Bracket	See Table I
119	O-Ring (See Note)	M14943
800	Capscrew, Hex 3/8-16x1-1/4" (12 Req. - SAE 4)	S26828
800	Capscrew, Hex 3/8-16x1-1/4" (7 Req. - SAE 5)	S26828

Item No.	Part Description	Part Number
801A	Stud, 3/8-16x1-1/4" (8 Req.-SAE 4)	S23994
801A	Stud, 3/8-16x1-3/8" (8 Req.-SAE 5)	S09942
801B	Stud, 3/8-16x3" (2 Req.)	S04439
802A	Nut, Hex 3/8-16 (8 Req.)	S23103
802B	Nut, Hex 3/8-16 (2 Req.)	S23343
805	Washer, Lock	S23036
810A	Plug, Pipe 1/2 NPT (2 Req.)	S23717
810B	Plug, Pipe 1/2 NPT Sq. Hd.	M11137
816	Ring, Retaining (2 Req.)	S23010
817	Ring, Retaining	S24652
•	Fitting, Grease	S23700

• Not illustrated.

**NOTE:** Also accepts gasket **S05126** as replacement for O-Ring. See **Supplement E** located at the beginning of this section.



# BERKELEY® B6ZQH

## Cast Iron Impeller

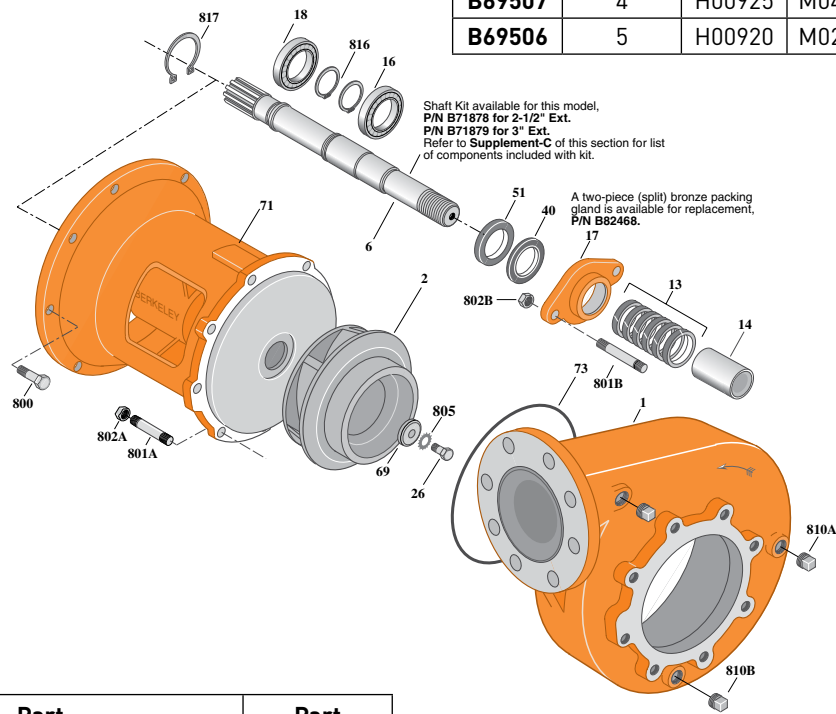
Flanged Case, Packing Construction

SAE ENGINE MOUNT

Section	SAE
Page	190.1
Date	March 4, 2013
Supersedes 07/01/11	

Table I

B/M No.	SAE Mtg. Size	Bracket No.	Shaft No.	Shaft Spline No.	Shaft Ext.
B69507	4	H00925	M04154	1-3/8-10T	3"
B69506	5	H00920	M02711	1-3/8-10T	2-1/2"



Item No.	Part Description	Part Number
1	Case, Volute	H05065
2	Impeller	M04186
6	Shaft (See Note)	See Table I
13	Ring, Packing (Set of 6)	S14022
14	Sleeve, Shaft	S05127
16	Bearing, Ball	S13270
17	Gland, Packing	S04948
18	Bearing, Ball	S14059
26	Screw, Impeller 3/8-16x1-3/4"	S23572
40	Slinger, Water	S12260
51	Seal, Oil	S14762
69	Washer, Impeller	S06314
71	Bracket	See Table I
119	O-Ring (See Note)	M14943
800	Capscrew, Hex 3/8-16x1-1/4" (12 Req. - SAE 4)	S26828
800	Capscrew, Hex 3/8-16x1-1/4" (7 Req. - SAE 5)	S26828

Item No.	Part Description	Part Number
801A	Stud, 3/8-16x1-3/8" (8 Req.)	S09942
801B	Stud, 3/8-16x3" (2 Req.)	S04439
802A	Nut, Hex 3/8-16 (8 Req.)	S23103
802B	Nut, Hex 3/8-16 (2 Req.)	S23343
805	Washer, Lock	S23036
810A	Plug, Pipe 1/2 NPT (2 Req.)	S23717
810B	Plug, Pipe 1/2 NPT Sq. Hd.	M11137
816	Ring, Retaining (2 Req.)	S23010
817	Ring, Retaining	S24652
•	Fitting, Grease	S23700

• Not illustrated.

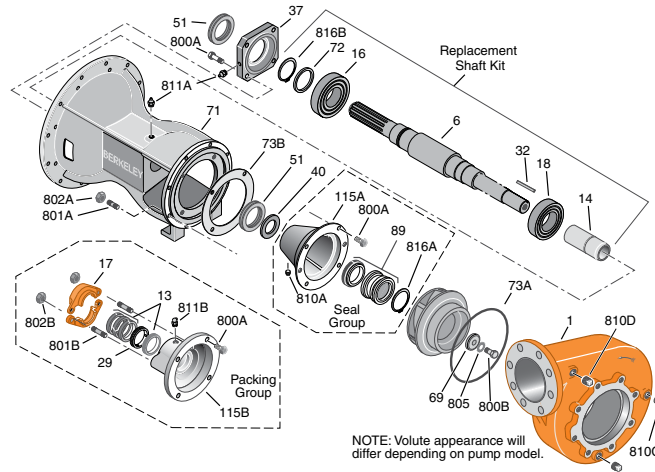
**NOTE:** Also accepts gasket **S05126** as replacement for O-Ring. See **Supplement E** located at the beginning of this section.



# BERKELEY® B6ZQHS, B6ZQL Cast Iron Impeller

SAE ENGINE MOUNT

Section	SAE
Page	195.1
Date	March 4, 2013
Supersedes 07/01/11	



## B6ZQ Common Parts Groups Repair Parts List

Item No.	Part Description	Part Number
1	Volute Case, CW Flanged	H05065
6	Shaft, 1-1/2-10T SAE*	M12339
14	1-3/8 ID x 1-3/4 OD Shaft Sleeve	M12422
16	Single Row Ball Bearing	S13395
32	Shaft Key, 1/4" Sq. x 2-1/4" Lg.	S23677
37	Bearing Cap	M12335
40	Slinger, Water	S10964
51	Grease Seal [2 Req.]	M12337
69	Lock Washer	S06319
71	Bracket	M12331
72	Thrust Ring	S06519
73B	Balance Ring Gasket	S09943
119	O-Ring [See Note]	M14943
800A	3/8-16x1" Lg. Hex Hd Capscrew [8 Req.]	S26826
800B	Impeller Capscrew B6ZQL [S]	S23619
800B	Impeller Capscrew B6ZQH [S]	S23631
801A	3/8-16x1-1/2" Lg. Stud [8 Req.]	S23995
802A	3/8-16 Hex Nut [8 Req.]	S23103
805	Impeller Lock Washer	S23038
810A	1/8" NPT Pipe Plug	S23714
810C	1/2" NPT Sq. Hd. Pipe Plug [2 Req.]	S23717
810D	1/2" NPT Socket Hd. Pipe Plug	M11137
811A	Grease Fitting [2 Req.]	S23700
816B	External Retaining Ring	S23016

### Packing Components

Item No.	Part Description	Part Number
13	Packing Ring Set	S13435
17	Split Packing Gland Set	B82470
29	Lantern Ring	S19200
115B	Packing Housing	M12334
801B	3/8-16NCx2-1/2" Lg. Stud [2 Req.]	S04438
802B	3/8-16 Hex Nut [2 Req.]	S23343
811B	1/8 MPTx90° Grease Fitting	S23702

### Seal Components

Item No.	Part Description	Part Number
89	Packing Housing	S32015
115A	3/8-16NCx2-1/2" Lg. Stud [2 Req.]	M12333
810A	3/8-16 Hex Nut [2 Req.]	S23714
816A	1/8 MPTx90° Grease Fitting	S16767

\* Sold only in Shaft Repair Kit B80870.

**NOTE:** Also accepts gasket **S05126** as replacement for O-Ring. See **Supplement E** located at the beginning of this section.

Refer to following page for model specific repair parts listing.



# BERKELEY® B6ZQHS, B6ZQL

## Cast Iron Impeller

SAE ENGINE MOUNT

Section	SAE
Page	195.2
Date	March 4, 2013
Supersedes 01/01/04	

### B6ZQ Series 1-1/2" x 10T, SAE 4 & 5

Pump Series	Catalog Number	SAE	Style	Impeller	Replacement Shaft Kit	Replacement Coupling	Clutch Size
<b>B6ZQH Packing Style Construction</b>	B80854	4/5	Suction Flange 8" x 13-1/2"	M04348	B80870	B80828	7.5"
	B80855	4/5	B59878			B80829	6.5"
	B80856	4/5	Discharge Flange 6" x 11"			B77599	10"
	B80857	4/5	B59872			B80827	8"
<b>B6ZQHS Mechanical Seal Construction</b>	B80858	4/5	Suction Flange 8" x 13-1/2"	M04348	B80870	B80828	7.5"
	B80859	4/5	B59878			B80829	6.5"
	B80860	4/5	Discharge Flange 6" x 11"			B77599	10"
	B80861	4/5	B59872			B80827	8"
<b>B6ZQL Packing Style Construction</b>	B80862	4/5	Suction Flange 8" x 13-1/2"	M04349	B80870	B80828	7.5"
	B80863	4/5	B59878			B80829	6.5"
	B80864	4/5	Discharge Flange 6" x 11"			B77599	10"
	B80865	4/5	B59872			B80827	8"
<b>B6ZQLS Mechanical Seal Construction</b>	B80866	4/5	Suction Flange 8" x 13-1/2"	M04349	B80870	B80828	7.5"
	B80867	4/5	B59878			B80829	6.5"
	B80868	4/5	Discharge Flange 6" x 11"			B77599	10"
	B80869	4/5	B59872			B80827	8"

# BERKELEY® B6JQBL

SAE ENGINE MOUNT

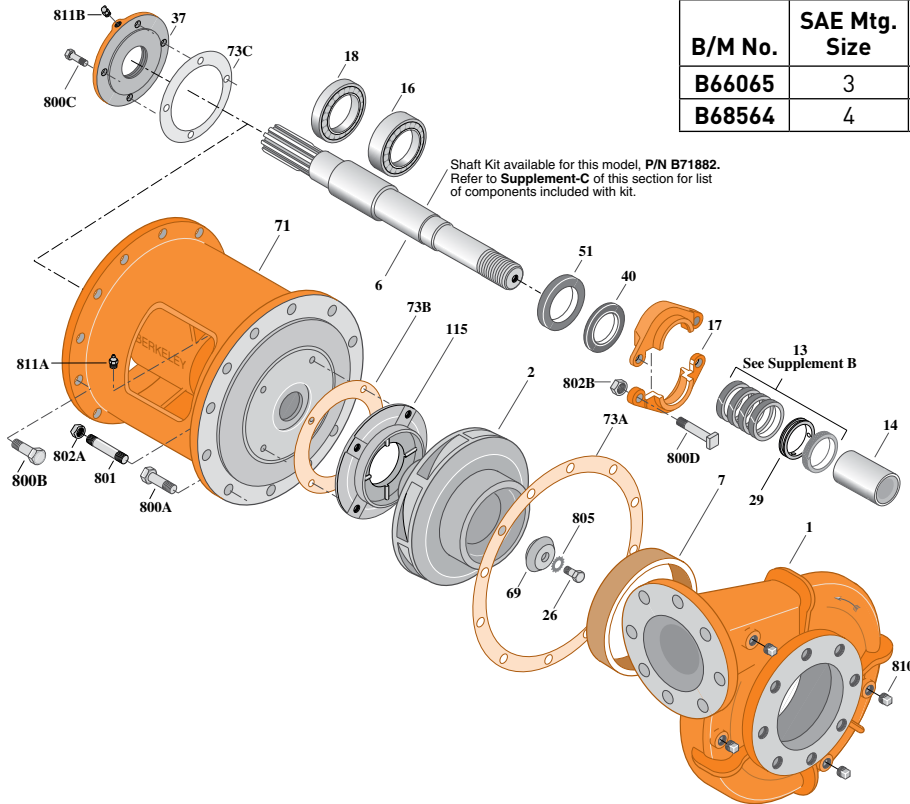
## Cast Iron Impeller

Flanged Case, Packing Construction

Section	SAE
Page	200.1
Date	March 4, 2013
Supersedes 01/01/04	

**Table I**

B/M No.	SAE Mtg. Size	Bracket No.	Shaft No.	Shaft Spline No.	Shaft Ext.
B66065	3	H01596	M06186	1-3/8-10T	3"
B68564	4	H01595	M06186	1-3/8-10T	3"



Item No.	Part Description	Part Number
1	Case, Volute	H00870
2	Impeller	L02416
6	Shaft (See Note)	See Table I
7	Ring, Wearing	S01234
13	Ring, Packing (Set of 4)	S13436
14	Sleeve, Shaft	S05974
16	Bearing, Ball	S13396
17	Gland, Packing	B82472
18	Bearing, Ball	S13395
26	Screw, Impeller 1/2-13x1-1/2"	S23623
29	Ring, Lantern	S18993
37	Outer Bearing Cap	M04998
40	Slinger, Water	S10964
51	Seal, Oil	S14765
69	Washer, Impeller	S06319
71	Bracket	See Table I

Item No.	Part Description	Part Number
73A	Gasket, Volute	S06271
73B	Gasket, Balance Ring	S09943
73C	Gasket	S18055
115	Ring, Balance	S12315
800A	Capscrew, Hex 5/8-11x1-1/2" (12 Req.)	S26999
800B	Capscrew, Hex 3/8-16x1-1/4" (12 Req.)	S26828
800C	Capscrew, Hex 1/4-20x3/4" (4 Req.)	S23119
800D	Bolt, Sq. Head 1/2-13x2-3/4" (2 Req.)	S23794
801	Stud, 3/8-16x1-3/8" (4 Req.)	S09942
802A	Nut, Hex 3/8-16 (4 Req.)	S23103
802B	Nut, Hex 1/2-13x7/16" (2 Req.)	S23347
805	Washer, Lock	S23038
810	Plug, Pipe 1/2 NPT (4 Req.)	S23717
811A	Fitting, Grease	S23670
811B	Fitting, Grease	S23702
•	Fitting, Grease	S23700

• Not illustrated.





# BERKELEY® B6JQBM

SAE ENGINE MOUNT

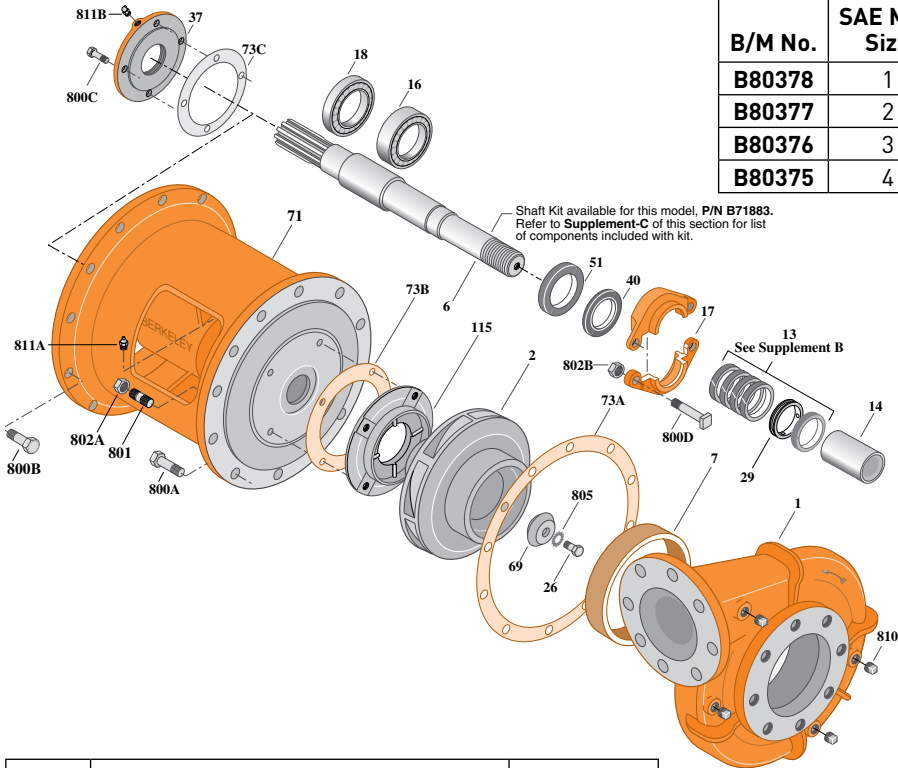
## Cast Iron Impeller

Flanged Case, Packing Construction

Section	SAE
Page	210.1.1
Date	March 4, 2013
Supersedes 01/01/04	

Table I

B/M No.	SAE Mtg. Size	Bracket No.	Shaft No.	Shaft Spline No.	Shaft Ext.
B80378	1	H01598	M06183	1-1/2-10T	3"
B80377	2	H01597	M06183	1-1/2-10T	3"
B80376	3	H01596	M06183	1-1/2-10T	3"
B80375	4	H01595	M06183	1-1/2-10T	3"



Item No.	Part Description	Part Number
1	Case, Volute	M12070
2	Impeller	L05818
6	Shaft (See Note)	See Table I
7	Ring, Wearing	S01234
13	Ring, Packing (Set of 4)	S13436
14	Sleeve, Shaft	S05974
16	Bearing, Ball	S13396
17	Gland, Packing	B82472
18	Bearing, Ball	S13395
26	Screw, Impeller 1/2-13x2"	S23627
29	Ring, Lantern	S18993
37	Outer Bearing Cap	M04998
40	Slinger, Water	S10964
51	Seal, Oil	S14765
69	Washer, Impeller	S19275
71	Bracket	See Table I
73A	Gasket, Volute	S06271
73B	Gasket, Balance Ring	S09943

Item No.	Part Description	Part Number
73C	Gasket	S18055
115	Ring, Balance	S12315
800A	Capscrew, Hex 5/8-11x1-1/2" (12 Req.)	S26999
800B	Capscrew, Hex 7/16-14x1-1/4" (12 Req. - SAE 1)	S26872
800B	Capscrew, Hex 3/8-16x1-1/4" (12 Req. - SAE 2, SAE 3, SAE 4)	S26828
800C	Capscrew, Hex 1/4-20x3/4" (4 Req.)	S23119
800D	Bolt, Sq. Head 1/2-13x2-3/4" (2 Req.)	S23794
801	Stud, 3/8-16x1-1/4" (4 Req.)	S23994
802A	Nut, Hex 3/8-16 (4 Req.)	S23103
802B	Nut, Hex 1/2-13x7/16" (2 Req.)	S23347
805	Washer, Lock	S23038
810	Plug, Pipe 1/2 NPT (4 Req.)	S23717
811A	Fitting, Grease	S23670
811B	Fitting, Grease	S23702
•	Fitting, Grease	S23700

• Not illustrated.



# BERKELEY® B6JQBM

## Cast Iron Impeller

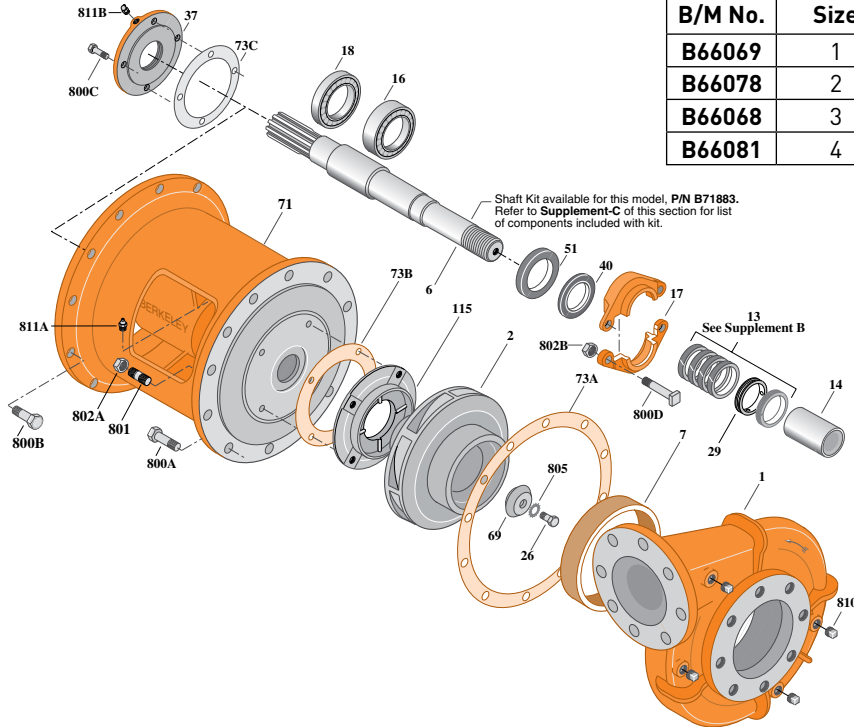
### Flanged Case, Packing Construction

SAE ENGINE MOUNT

Section	SAE
Page	210.1
Date	March 4, 2013
Supersedes 01/01/04	

Table I

B/M No.	SAE Mtg. Size	Bracket No.	Shaft No.	Shaft Spline No.	Shaft Ext.
B66069	1	H01598	M06183	1-1/2-10T	3"
B66078	2	H01597	M06183	1-1/2-10T	3"
B66068	3	H01596	M06183	1-1/2-10T	3"
B66081	4	H01595	M06183	1-1/2-10T	3"



Item No.	Part Description	Part Number
1	Case, Volute	H00870
2	Impeller	L05818
6	Shaft (See Note)	See Table I
7	Ring, Wearing	S01234
13	Ring, Packing (Set of 4)	S13436
14	Sleeve, Shaft	S05974
16	Bearing, Ball	S13396
17	Gland, Packing	B82472
18	Bearing, Ball	S13395
26	Screw, Impeller 1/2-13x2"	S23627
29	Ring, Lantern	S18993
37	Outer Bearing Cap	M04998
40	Slinger, Water	S10964
51	Seal, Oil	S14765
69	Washer, Impeller	S19275
71	Bracket	See Table I
73A	Gasket, Volute	S06271
73B	Gasket, Balance Ring	S09943

Item No.	Part Description	Part Number
73C	Gasket	S18055
115	Ring, Balance	S12315
800A	Capscrew, Hex 5/8-11x1-1/2" (12 Req.)	S26999
800B	Capscrew, Hex 3/8-16x1-1/4" (12 Req. - SAE 1)	S26872
800B	Capscrew, Hex 3/8-16x1-1/4" (12 Req. - SAE 2, SAE 3, SAE 4)	S26828
800C	Capscrew, Hex 1/4-20x3/4" [4 Req.]	S23119
800D	Bolt, Sq. Head 1/2-13x2-3/4" [2 Req.]	S23794
801	Stud, 3/8-16x1-1/4" [4 Req.]	S23994
802A	Nut, Hex 3/8-16 [4 Req.]	S23103
802B	Nut, Hex 1/2-13x7/16" [2 Req.]	S23347
805	Washer, Lock	S23038
810	Plug, Pipe 1/2 NPT [4 Req.]	S23717
811A	Fitting, Grease	S23670
811B	Fitting, Grease	S23702
•	Fitting, Grease	S23700

• Not illustrated.



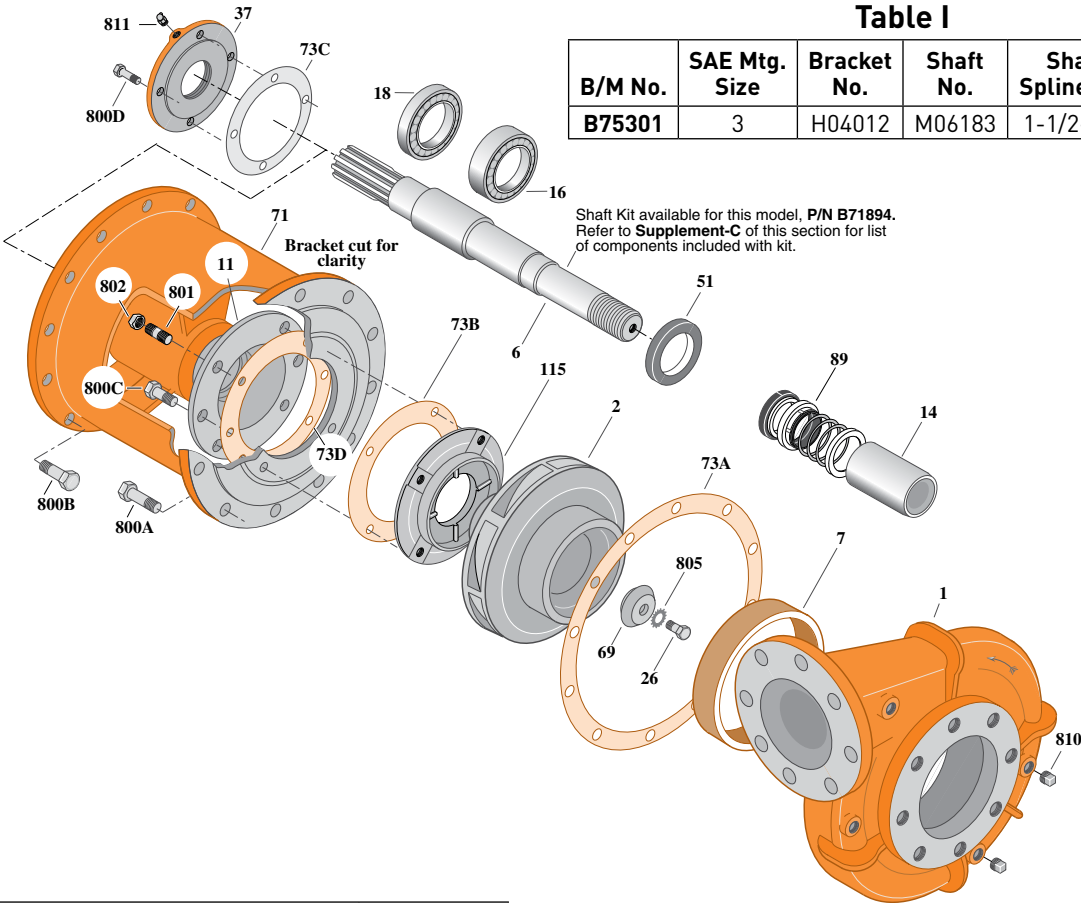
# BERKELEY® B6JQBMS

## Cast Iron Impeller

Flanged Case, Mechanical Seal Construction

SAE ENGINE MOUNT

Section	SAE
Page	210.2
Date	March 4, 2013
Supersedes 01/01/04	



**Table I**

B/M No.	SAE Mtg. Size	Bracket No.	Shaft No.	Shaft Spline No.	Shaft Ext.
B75301	3	H04012	M06183	1-1/2-10T	3"

Shaft Kit available for this model, P/N B71894. Refer to Supplement-C of this section for list of components included with kit.

Item No.	Part Description	Part Number
1	Case, Volute	H00870
2	Impeller	L05818
6	Shaft (See Note)	See Table I
7	Ring, Wearing	S01234
11	Retainer, Mechanical Shaft Seal	M07603
14	Sleeve, Shaft	S33429
16	Bearing, Ball	S13396
18	Bearing, Ball	S13395
26	Screw, Impeller 1/2-13x2"	S23627
37	Outer Bearing Cap	M04998
51	Seal, Oil	S14765
69	Washer, Impeller	S19275
71	Bracket	See Table I
73A	Gasket, Volute	S06271
73B	Gasket, Balance Ring	S09943

Item No.	Part Description	Part Number
73C	Gasket	S18055
89	Seal, Mechanical Shaft	S32694
115	Ring, Balance	S12315
800A	Capscrew, Hex 5/8-11x1-1/2" (12 Req.)	S26999
800B	Capscrew, Hex 3/8-16x1-1/4" (12 Req.)	S26828
800C	Capscrew, Hex 3/8-16x5/8" (2 Req.)	S39853
800D	Capscrew, Hex 1/4-20x3/4" (4 Req.)	S23119
801	Stud, 3/8-16x1-1/2" (4 Req.)	S23995
802	Nut, Hex 3/8-16 (4 Req.)	S23103
805	Washer, Lock	S23038
810	Plug, Pipe 1/2 NPT (4 Req.)	S23717
811	Fitting, Grease	S23670
816	Ring, Retaining	S29341
•	Fitting, Grease	S23700

• Not illustrated.



# BERKELEY® B6JQBM

## Silicone Bronze Impeller

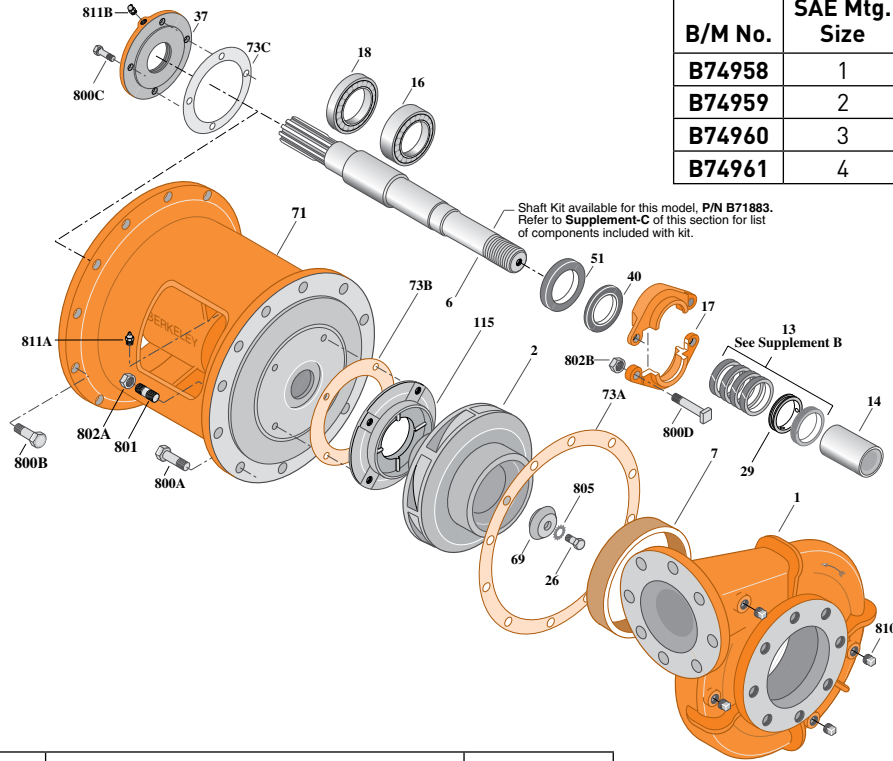
### Flanged Case, Packing Construction

SAE ENGINE MOUNT

Section	SAE
Page	210.3
Date	March 4, 2013
Supersedes 01/01/04	

**Table I**

B/M No.	SAE Mtg. Size	Bracket No.	Shaft No.	Shaft Spline No.	Shaft Ext.
B74958	1	H01598	M06183	1-1/2-10T	3"
B74959	2	H01597	M06183	1-1/2-10T	3"
B74960	3	H01596	M06183	1-1/2-10T	3"
B74961	4	H01595	M06183	1-1/2-10T	3"



Item No.	Part Description	Part Number
1	Case, Volute	H00870
2	Impeller	L08188
6	Shaft (See Note)	See Table I
7	Ring, Wearing	S01234
13	Ring, Packing (Set of 4)	S13436
14	Sleeve, Shaft	S05974
16	Bearing, Ball	S13396
17	Gland, Packing	B82472
18	Bearing, Ball	S13395
26	Screw, Impeller 1/2-13x2"	S23627
29	Ring, Lantern	S18993
37	Outer Bearing Cap	M04998
40	Slinger, Water	S10964
51	Seal, Oil	S14765
69	Washer, Impeller	S19275
71	Bracket	See Table I
73A	Gasket, Volute	S06271
73B	Gasket, Balance Ring	S09943

Item No.	Part Description	Part Number
73C	Gasket	S18055
115	Ring, Balance	S12315
800A	Capscrew, Hex 5/8-11x1-1/2" (12 Req.)	S26999
800B	Capscrew, Hex 7/16-14x1-1/4" (12 Req. - SAE 1)	S26872
800B	Capscrew, Hex 3/8-16x1-1/4" (12 Req. - SAE 2, SAE 3, SAE 4)	S26828
800C	Capscrew, Hex 1/4-20x3/4" (4 Req.)	S23119
800D	Bolt, Sq. Head 1/2-13x2-3/4" (2 Req.)	S23794
801	Stud, 3/8-16x1-1/4" (4 Req.)	S23994
802A	Nut, Hex 3/8-16 (4 Req.)	S23103
802B	Nut, Hex 1/2-13 (2 Req.)	S23347
805	Washer, Lock	S23038
810	Plug, Pipe 1/2 NPT (4 Req.)	S23717
811A	Fitting, Grease	S23670
811B	Fitting, Grease	S23702
•	Fitting, Grease	S23700

• Not illustrated.



# BERKELEY® B6JQBM

## SAE ENGINE MOUNT

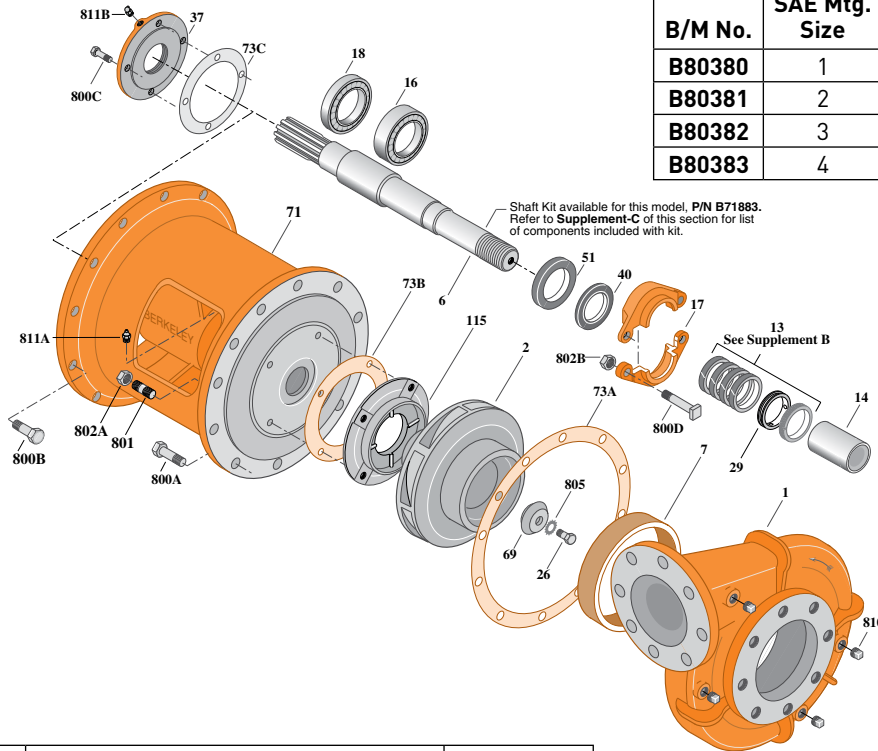
# Bronze Impeller

Flanged Case, Packing Construction

Section	SAE
Page	210.4
Date	March 4, 2013
Supersedes 01/01/04	

**Table I**

B/M No.	SAE Mtg. Size	Bracket No.	Shaft No.	Shaft Spline No.	Shaft Ext.
<b>B80380</b>	1	H01598	M06183	1-1/2-10T	3"
<b>B80381</b>	2	H01597	M06183	1-1/2-10T	3"
<b>B80382</b>	3	H01596	M06183	1-1/2-10T	3"
<b>B80383</b>	4	H01595	M06183	1-1/2-10T	3"



Item No.	Part Description	Part Number
1	Case, Volute	M12070
2	Impeller	L08188
6	Shaft (See Note)	See Table I
7	Ring, Wearing	S01234
13	Ring, Packing (Set of 4)	S13436
14	Sleeve, Shaft	S05974
16	Bearing, Ball	S13396
17	Gland, Packing	B82472
18	Bearing, Ball	S13395
26	Screw, Impeller 1/2-13x2"	S23627
29	Ring, Lantern	S18993
37	Outer Bearing Cap	M04998
40	Slinger, Water	S10964
51	Seal, Oil	S14765
69	Washer, Impeller	S19275
71	Bracket	See Table I
73A	Gasket, Volute	S06271
73B	Gasket, Balance Ring	S09943

Item No.	Part Description	Part Number
73C	Gasket	S18055
115	Ring, Balance	S12315
800A	Capscrew, Hex 5/8-11x1-1/2" [12 Req.]	S26999
800B	Capscrew, Hex 3/8-16x1-1/4" [12 Req. - SAE 1]	S26872
800B	Capscrew, Hex 3/8-16x1-1/4" [12 Req. - SAE 2, SAE 3, SAE 4]	S26828
800C	Capscrew, Hex 1/4-20x3/4" [4 Req.]	S23119
800D	Bolt, Sq. Head 1/2-13x2-3/4" [2 Req.]	S23794
801	Stud, 3/8-16x1-1/4" [4 Req.]	S23994
802A	Nut, Hex 3/8-16 [4 Req.]	S23103
802B	Nut, Hex 1/2-13x7/16" [2 Req.]	S23347
805	Washer, Lock	S23038
810	Plug, Pipe 1/2 NPT [4 Req.]	S23717
811A	Fitting, Grease	S23670
811B	Fitting, Grease	S23702
•	Fitting, Grease	S23700

• Not illustrated.



# BERKELEY® B6EXQBL

## SAE ENGINE MOUNT

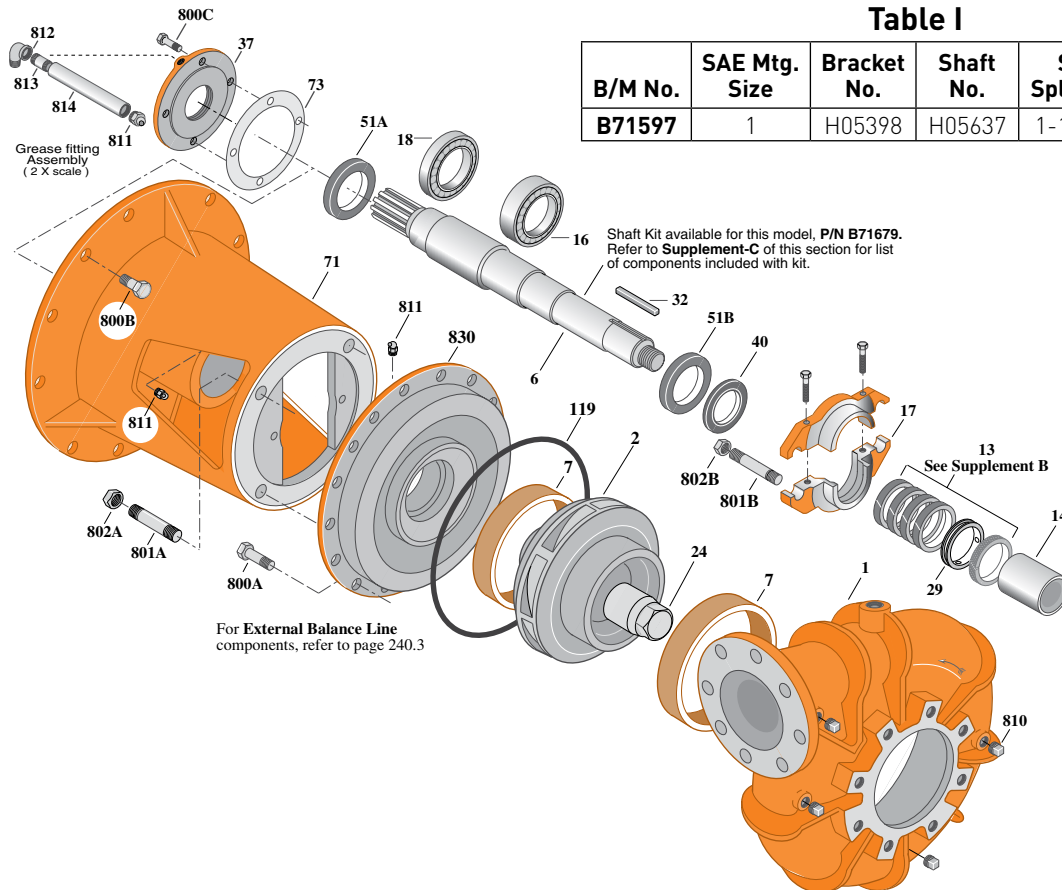
### Cast Iron Impeller

Flanged Case, Packing Construction

Section	SAE
Page	220.1
Date	March 4, 2013
Supersedes 01/01/04	

**Table I**

B/M No.	SAE Mtg. Size	Bracket No.	Shaft No.	Shaft Spline No.	Shaft Ext.
B71597	1	H05398	H05637	1-1/2-10T	3"



Item No.	Part Description	Part Number
1	Case, Volute	H02366
2	Impeller	L07149
6	Shaft	See Table I
7	Ring, Wearing [2 Req.]	S04879
13	Ring, Packing [Set of 4]	S13437
14	Sleeve, Shaft	S07073
16	Bearing, Ball	S14049
17	Gland, Packing	B82473
18	Bearing, Ball	M09974
24	Lock, Impeller	S07829
29	Ring, Lantern	S19198
32	Key, 3/8 x 2"	S23939
37	Outer Bearing Cap	L07591
40	Slinger, Water	M09682
51A	Seal, Oil	M10210
51B	Seal, Oil	S14769

Item No.	Part Description	Part Number
71	Bracket	See Table I
73	Gasket	S19665
119	O-Ring	S14444
800A	Capscrew, Hex 5/8-11x1-1/2" [16 Req.]	S26999
800B	Capscrew, Hex 7/16-14x2" [12 Req.]	S26878
800C	Capscrew, Hex 3/8-16x1" [4 Req.]	S26826
801A	Stud, 3/4-10x2-3/4" [4 Req.]	S24080
801B	Stud, 1/2-13x3-3/4" [2 Req.]	S08305
802A	Nut, Hex 3/4-10 [4 Req.]	S23111
802B	Nut, Hex 1/2-13x7/16" [2 Req.]	S23347
810	Plug, Pipe 1/2 NPT [4 Req.]	S23717
811	Fitting, Grease [3 Req.]	S23702
812	Elbow, Street 90°	S25406
813	Nipple, Pipe	S24284
814	Coupling, Pipe	S23261
830	Case, Cover Back	H05100





# BERKELEY® B6EXQBL

## SAE ENGINE MOUNT

### Cast Iron Impeller

Flanged Case, Packing Construction

Section	SAE
Page	220.2
Date	March 4, 2013
Supersedes 01/01/04	

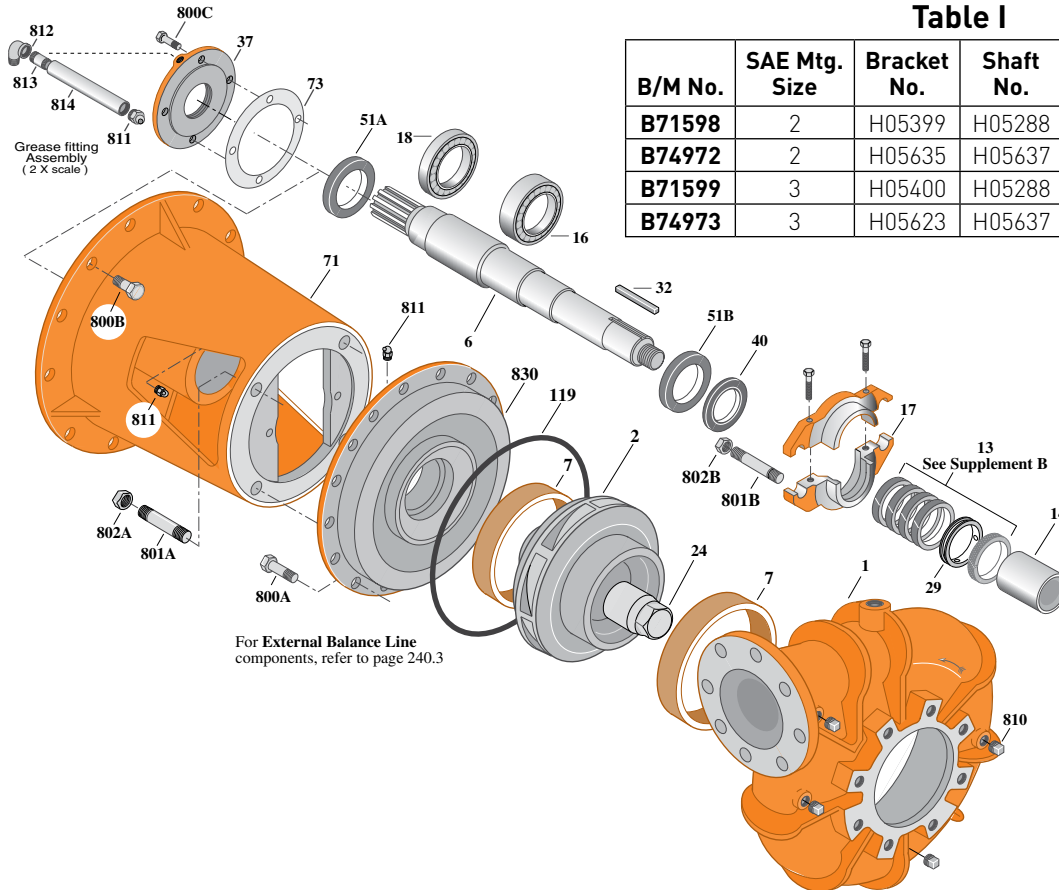


Table I

B/M No.	SAE Mtg. Size	Bracket No.	Shaft No.	Shaft Spline No.	Shaft Ext.
B71598	2	H05399	H05288	1-1/2-10T	3"
B74972	2	H05635	H05637	1-1/2-10T	3"
B71599	3	H05400	H05288	1-1/2-10T	3"
B74973	3	H05623	H05637	1-1/2-10T	3"

Item No.	Part Description	Part Number
1	Case, Volute	H02366
2	Impeller	L07149
6	Shaft	See Table I
7	Ring, Wearing (2 Req.)	S04879
14	Sleeve, Shaft	S07073
13	Ring, Packing (Set of 4)	S13437
16	Bearing, Ball	S14049
17	Gland, Packing	B82473
18	Bearing, Ball	M09974
24	Lock, Impeller	S07829
29	Ring, Lantern	S19198
32	Key, 3/8 x 2"	S23939
37	Outer Bearing Cap	L07591
40	Slinger, Water	M09682
51A	Seal, Oil	M10210
51B	Seal, Oil	S14769

Item No.	Part Description	Part Number
71	Bracket	See Table I
73	Gasket	S19665
119	O-Ring	S14444
800A	Capscrew, Hex 5/8-11x1-1/2" (16 Req.)	S26999
800B	Capscrew, Hex 3/8-16x1-1/4" (12 Req.)	S26828
800C	Capscrew, Hex 3/8-16x1" (4 Req.)	S26826
801A	Stud, 3/4-10x2-3/4" (4 Req.)	S24080
801B	Stud, 1/2-13x3-3/4" (2 Req.)	S08305
802A	Nut, Hex 3/4-10 (4 Req.)	S23111
802B	Nut, Hex 1/2-13x7/16" (2 Req.)	S23347
810	Plug, Pipe 1/2 NPT (4 Req.)	S23717
811	Fitting, Grease (3 Req.)	S23702
812	Elbow, Street 90°	S25406
813	Nipple, Pipe	S24284
814	Coupling, Pipe	S24261
830	Cover, Case Back	H05100



# BERKELEY® B6EXQBL

## Silicon Bronze Impeller

### Flanged Case, Packing Construction

SAE ENGINE MOUNT

Section	SAE
Page	220.3
Date	March 4, 2013
Supersedes 01/01/04	

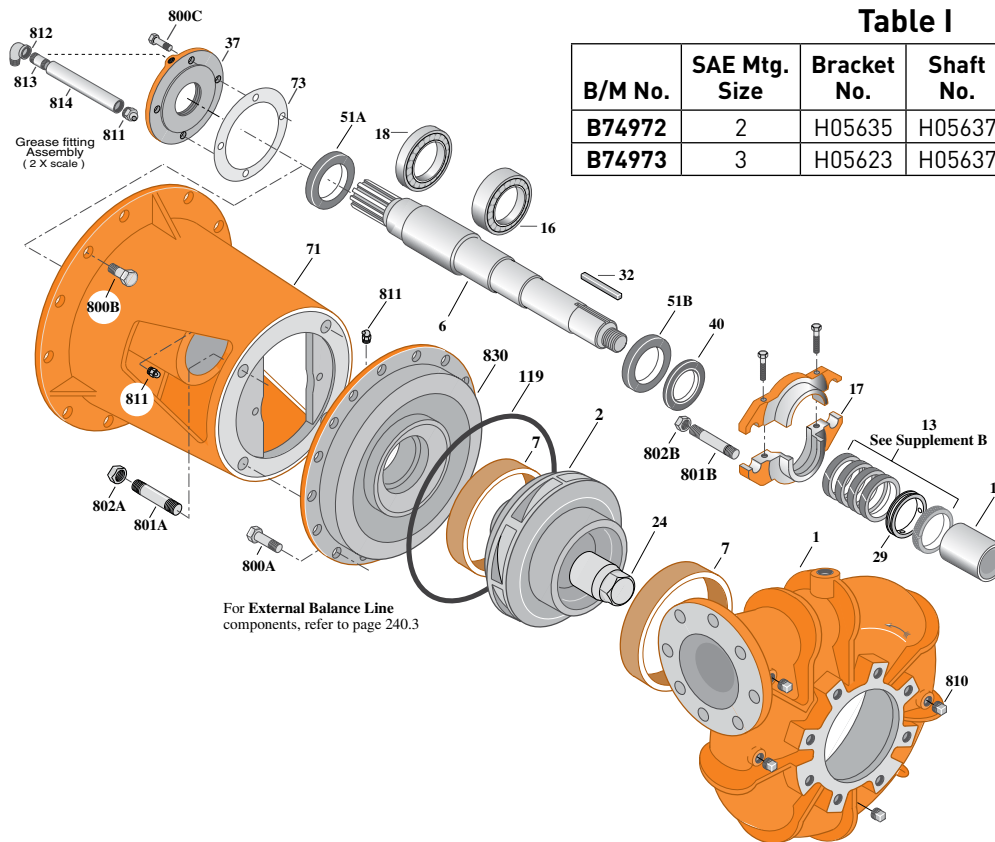


Table I

B/M No.	SAE Mtg. Size	Bracket No.	Shaft No.	Shaft Spline No.	Shaft Ext.
B74972	2	H05635	H05637	1-1/2-10T	3"
B74973	3	H05623	H05637	1-1/2-10T	3"

Item No.	Part Description	Part Number
1	Case, Volute	H05097
2	Impeller	L07149
6	Shaft	See Table I
7	Ring, Wearing (2 Req.)	S04879
14	Sleeve, Shaft	S07073
13	Ring, Packing (Set of 4)	S13437
16	Bearing, Ball	S14049
17	Gland, Packing	M02874
18	Bearing, Ball	M09974
24	Lock, Impeller	S07829
29	Ring, Lantern	S19198
32	Key, 3/8 x 2"	S23939
37	Outer Bearing Cap	L07591
40	Slinger, Water	M09682
51A	Seal, Oil	M10210
51B	Seal, Oil	S14769

Item No.	Part Description	Part Number
71	Bracket	See Table I
73	Gasket	S19665
119	O-Ring	S14444
800A	Capscrew, Hex 5/8-11x1-1/2" (16 Req.)	S26999
800B	Capscrew, Hex 3/8-16x2" (12 Req.)	S26834
800C	Capscrew, Hex 3/8-16x1" (4 Req.)	S26826
801A	Stud, 3/4-10x2-3/4" (4 Req.)	S24080
801B	Stud, 1/2-13x3-3/4" (2 Req.)	S08305
802A	Nut, Hex 3/4-10 (4 Req.)	S23111
802B	Nut, Hex 1/2-13 (2 Req.)	S23347
810	Plug, Pipe 1/2 NPT (4 Req.)	S23717
811	Fitting, Grease (3 Req.)	S23702
812	Elbow, Street 90°	S25406
813	Nipple, Pipe	S24284
814	Coupling, Pipe	S24261
830	Cover, Case Back	H05100

• Not illustrated.



# BERKELEY® B6EXQBM

SAE ENGINE MOUNT

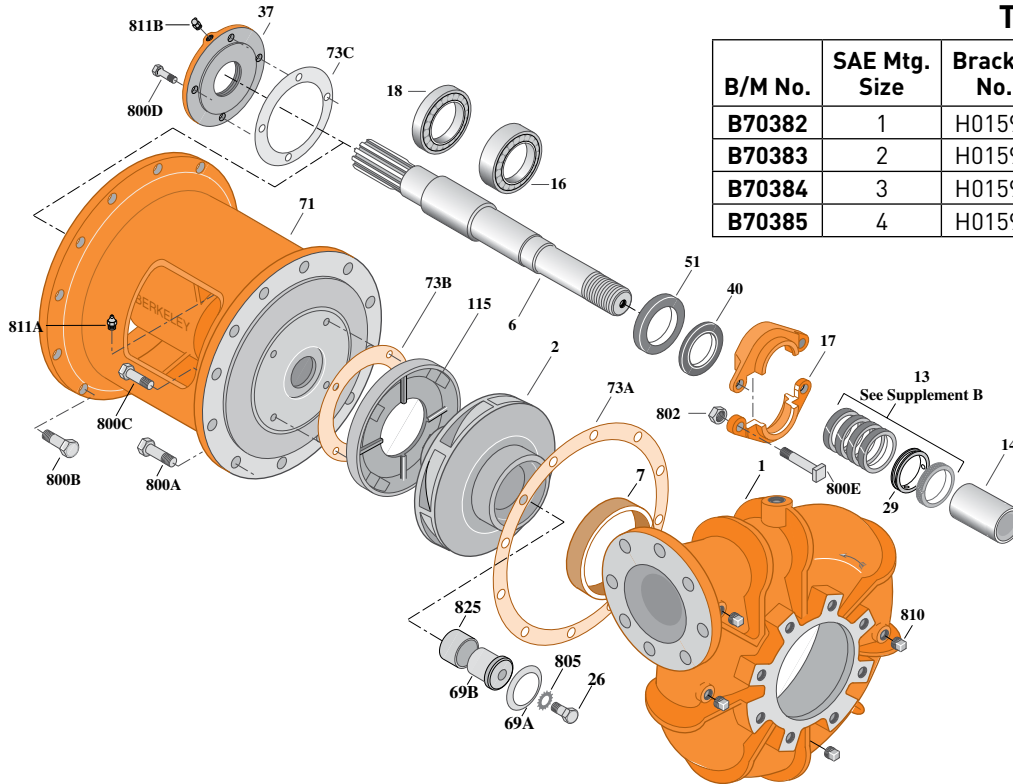
## Cast Iron Impeller

Flanged Case, Packing Construction

Section	SAE
Page	230.1
Date	March 4, 2013
Supersedes 01/01/04	

Table I

B/M No.	SAE Mtg. Size	Bracket No.	Shaft No.	Shaft Spline No.	Shaft Ext.
B70382	1	H01598	H05113	1-1/2-10T	3"
B70383	2	H01597	H05113	1-1/2-10T	3"
B70384	3	H01596	H05113	1-1/2-10T	3"
B70385	4	H01595	H05113	1-1/2-10T	3"



Item No.	Part Description	Part Number
1	Case, Volute	H05096
2	Impeller	L05913
6	Shaft	See Table I
7	Ring, Wearing	S04879
13	Ring, Packing (Set of 4)	S13436
14	Sleeve, Shaft	S05974
16	Bearing, Ball	S13396
17	Gland, Packing	B82472
18	Bearing, Ball	S13395
26	Screw, Impeller 1/2-13x2-1/2"	S23629
29	Ring, Lantern	S18993
37	Outer Bearing Cap	M04998
40	Slinger, Water	S10964
51	Seal, Oil	S14765
69A	Washer, Impeller	S19864
69B	Locknut, Impeller	S30387
71	Bracket	See Table I
73A	Gasket, Volute	S06271

Item No.	Part Description	Part Number
73B	Gasket, Balance Ring	S09943
73C	Gasket	S18055
115	Ring, Balance	M06113
800A	Capscrew, Hex 5/8-11x1-1/2" (12 Req.)	S26999
800B	Capscrew, Hex 7/16-14x1-1/2" (12 Req. - SAE 1)	S26872
800B	Capscrew, Hex 3/8-16x1-1/4" (12 Req. - SAE 2, SAE 3, SAE 4)	S26828
800C	Capscrew, Hex 3/8-16x1" (4 Req.)	S26826
800D	Capscrew, Hex 1/4-20x3/4" (4 Req.)	S23119
800E	Bolt, Sq. Head 1/2-13x2-3/4" (2 Req.)	S23794
802	Nut, Hex 1/2-13x7/16" (2 Req.)	S23347
805	Washer, Lock	S23038
810	Plug, Pipe 1/2 NPT (4 Req.)	S23717
811A	Fitting, Grease	S23670
811B	Fitting, Grease	S23702
825	Sleeve, Impeller Nut	S30388
•	Fitting, Grease	S23700

• Not illustrated.



# BERKELEY® B6EXQBH

## SAE ENGINE MOUNT

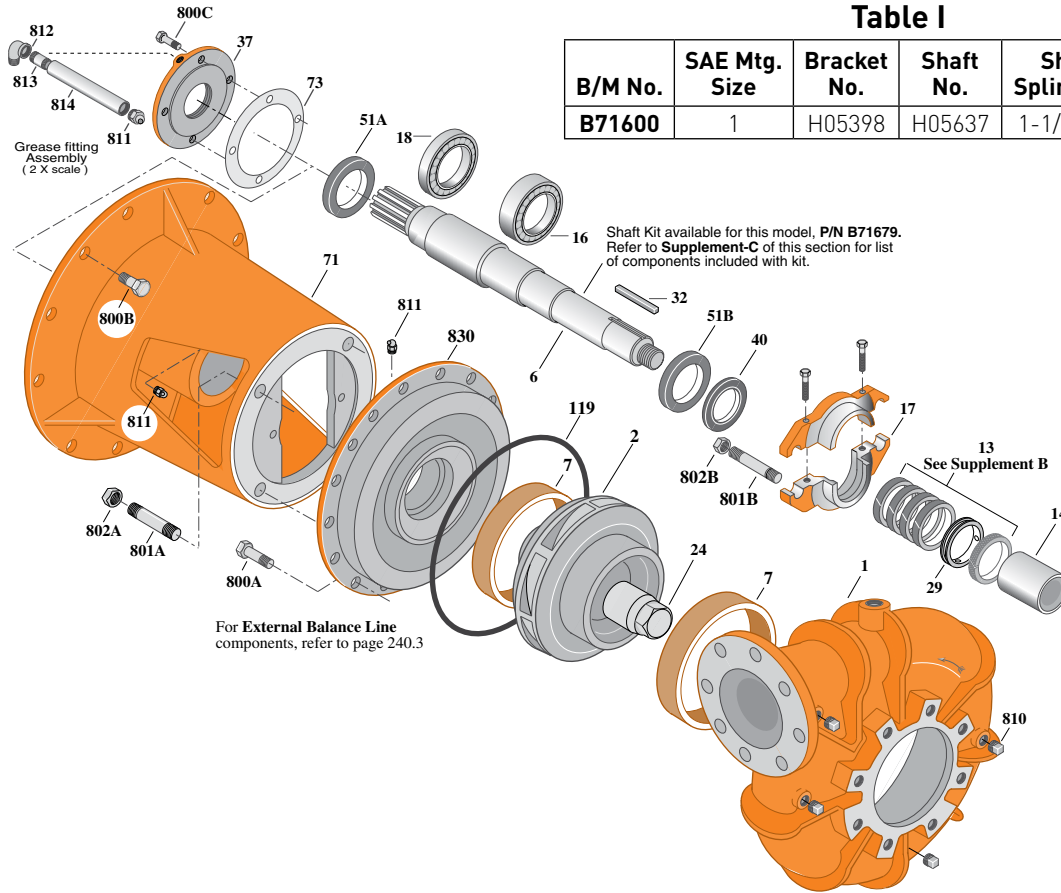
### Cast Iron Impeller

Flanged Case, Packing Construction

Section	SAE
Page	240.1
Date	March 4, 2013
Supersedes 01/01/04	

**Table I**

B/M No.	SAE Mtg. Size	Bracket No.	Shaft No.	Shaft Spline No.	Shaft Ext.
B71600	1	H05398	H05637	1-1/2-10T	3"



Item No.	Part Description	Part Number
1	Case, Volute	H05097
2	Impeller	L07148
6	Shaft	See Table I
7	Ring, Wearing	S04879
13	Ring, Packing [Set of 4]	S13437
14	Sleeve, Shaft	S07073
16	Bearing, Ball	S14049
17	Gland, Packing	B82473
18	Bearing, Ball	M09974
24	Lock, Impeller	S07829
29	Ring, Lantern	S19198
32	Key, 3/8 x 2"	S23939
37	Outer Bearing Cap	L07591
40	Slinger, Water	M09682
51A	Seal, Oil	M10210
51B	Seal, Oil	S14769

Item No.	Part Description	Part Number
71	Bracket	See Table I
73	Gasket	S19665
119	O-Ring	S14444
800A	Capscrew, Hex 5/8-11x1-1/2" (16 Req.)	S26999
800B	Capscrew, Hex 7/16-14x2" (12 Req.)	S26878
800C	Capscrew, Hex 3/8-16x1" (4 Req.)	S26826
801A	Stud, 3/4-10x2-3/4" (4 Req.)	S24080
801B	Stud, 1/2-13x3-3/4" (2 Req.)	S08305
802A	Nut, Hex 3/4-10 (4 Req.)	S23111
802B	Nut, Hex 1/2-13x7/16" (2 Req.)	S23347
810	Plug, Pipe 1/2 NPT (4 Req.)	S23717
811	Fitting, Grease (3 Req.)	S23702
812	Elbow, Street 90°	S25406
813	Nipple, Pipe	S24284
814	Coupling, Pipe	S24261
830	Cover, Case Back	H05100



# BERKELEY® B6EXQBH

## Cast Iron Impeller

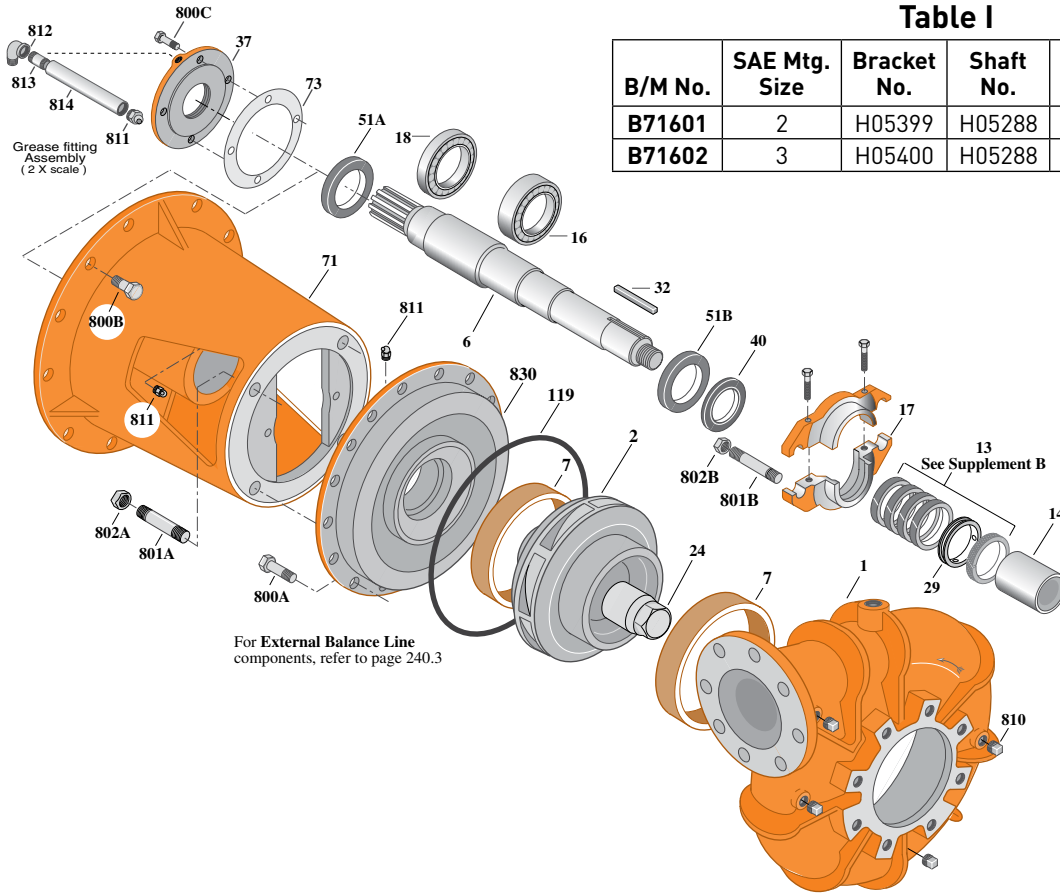
### Flanged Case, Packing Construction

## SAE ENGINE MOUNT

Section	SAE
Page	240.2
Date	March 4, 2013
Supersedes 01/01/04	

**Table I**

B/M No.	SAE Mtg. Size	Bracket No.	Shaft No.	Shaft Spline No.	Shaft Ext.
B71601	2	H05399	H05288	1-1/2-10T	3"
B71602	3	H05400	H05288	1-1/2-10T	3"



Item No.	Part Description	Part Number
1	Case, Volute	H05097
2	Impeller	L07148
6	Shaft	See Table I
7	Ring, Wearing [2 Req.]	S04879
13	Ring, Packing [Set of 4]	S08294
14	Sleeve, Shaft	S07073
16	Bearing, Ball	S14049
17	Gland, Packing	B82473
18	Bearing, Ball	M09974
24	Lock, Impeller	S07829
29	Ring, Lantern	S19198
32	Key, 3/8 x 2"	S23939
37	Outer Bearing Cap	L07591
40	Slinger, Water	M09682
51A	Seal, Oil	M10210
51B	Seal, Oil	S14769

Item No.	Part Description	Part Number
71	Bracket	See Table I
73	Gasket	S19665
119	O-Ring	S14444
800A	Capscrew, Hex 5/8-11x1-1/2" [16 Req.]	S26999
800B	Capscrew, Hex 3/8-16x1-1/4" [12 Req.]	S26828
800C	Capscrew, Hex 3/8-16x1" [4 Req.]	S26826
801A	Stud, 3/4-10x2-3/4" [4 Req.]	S24080
801B	Stud, 1/2-13x3-3/4" [2 Req.]	S08305
802A	Nut, Hex 3/4-10 [4 Req.]	S23111
802B	Nut, Hex 1/2-13x7/16" [2 Req.]	S23347
810	Plug, Pipe 1/2 NPT [4 Req.]	S23717
811	Fitting, Grease [3 Req.]	S23702
812	Elbow, Street 90°	S25406
813	Nipple, Pipe	S24284
814	Coupling, Pipe	S24261
830	Cover, Case Back	H05100

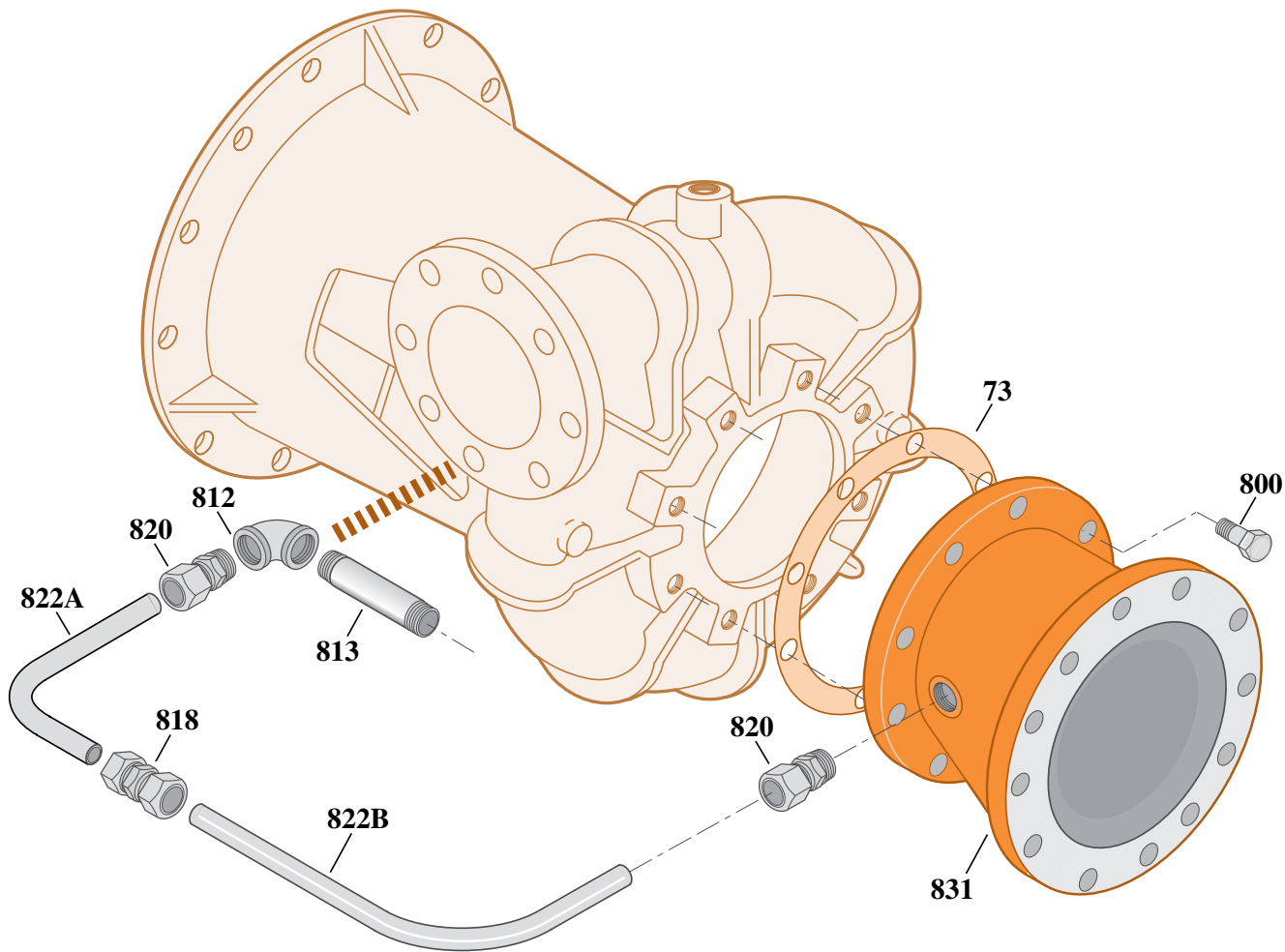


# BERKELEY® B6EXQ

## SAE ENGINE MOUNT

Section	SAE
Page	240.3
Date	March 4, 2013
Supersedes 01/01/04	

### External Balance Line Components



Item No.	Part Description	Part Number
73	Gasket, Reducer to Pump	S10369
800	Capscrew, Hex 3/4-10x2-1/4"	S27330
812	Elbow, 90°	U78-10GP
813	Nipple, Pipe 1"x5"	Q34038
818	Union, Pipe	M10236
820	Connector, Tube	M10105
822A	Tubing, LH	L07147
822B	Tubing, RH	L06966
831	Reducer, Eccentric	L07032

External Balance Line components are found on the following pumps:

B/M No.	Model No.	Mounting Size
<b>B71597</b>	B6EXQBL	SAE 1
<b>B71598</b>	B6EXQBL	SAE 2
<b>B74972</b>	B6EXQBL	SAE 2
<b>B71599</b>	B6EXQBL	SAE 3
<b>B74973</b>	B6EXQBL	SAE 3
<b>B71600</b>	B6EXQBH	SAE 1
<b>B71601</b>	B6EXQBH	SAE 2
<b>B71602</b>	B6EXQBH	SAE 3



# BERKELEY® B6EXQBHS

SAE ENGINE MOUNT

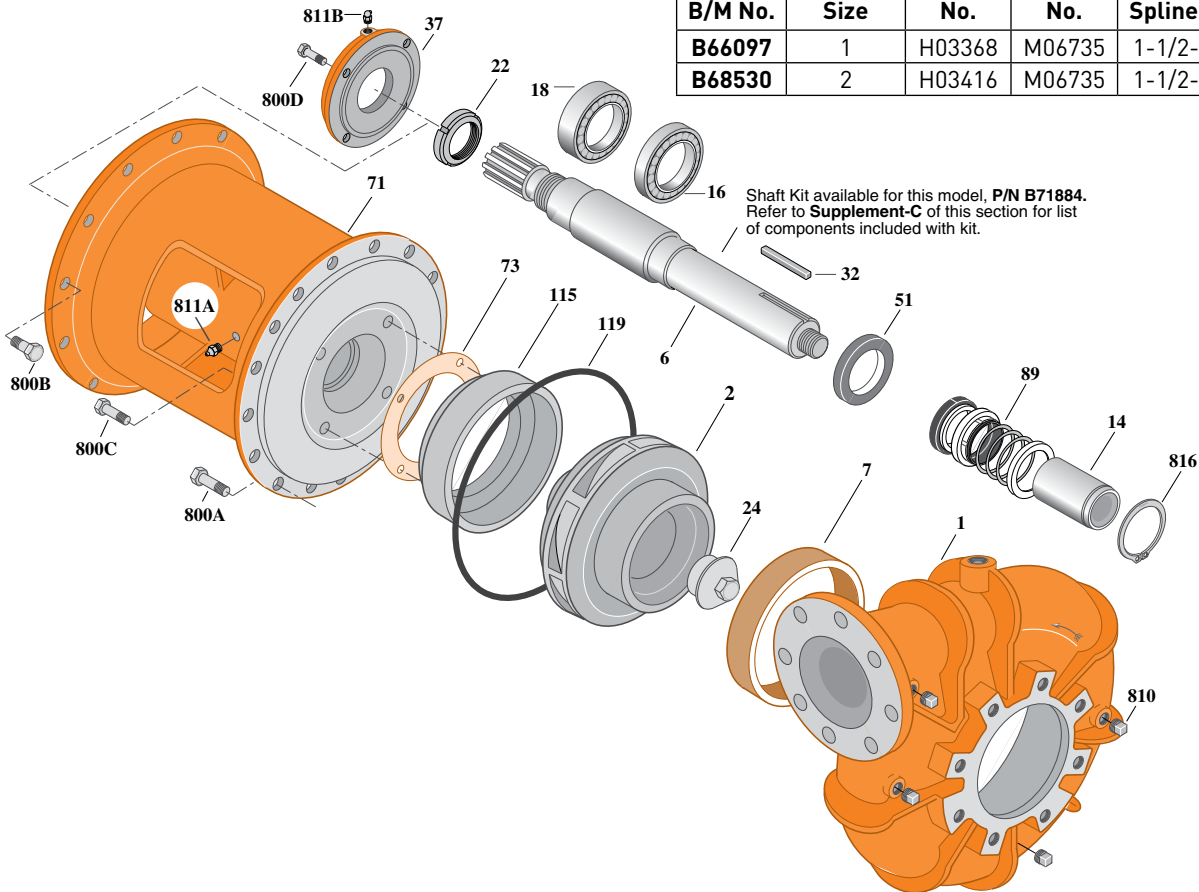
## Cast Iron Impeller

Flanged Case, Mechanical Construction

Section	SAE
Page	240.4
Date	March 4, 2013
Supersedes 01/01/04	

Table I

B/M No.	SAE Mtg. Size	Bracket No.	Shaft No.	Shaft Spline No.	Shaft Ext.
B66097	1	H03368	M06735	1-1/2-10T	3"
B68530	2	H03416	M06735	1-1/2-10T	3"



Item No.	Part Description	Part Number
1	Case, Volute	H05097
2	Impeller	L05805
6	Shaft	See Table I
7	Ring, Wearing	S04879
14	Sleeve, Shaft (2 Req.)	S19499
16	Bearing, Ball	S19502
18	Bearing, Ball	S18336
22	Locknut, Bearing	S19498
24	Locknut, Impeller	M10247
32	Key, 1/2 x 2"	S26545
37	Bearing Cap	M06729
51	Seal, Oil	S19501
71	Bracket	See Table I
73	Gasket, Balance Ring	S09943

Item No.	Part Description	Part Number
89	Seal, Mechanical Shaft	S30320
115	Ring, Balance	M04223
119	O-Ring	S14444
800A	Capscrew, Hex 5/8-11x1-1/2" (16 Req.)	S26999
800B	Capscrew, Hex 7/16-14x1-1/4" (12 Req. - SAE 1)	S26874
800B	Capscrew, Hex 3/8-16x1-1/4" (12 Req. - SAE 2)	S26828
800C	Capscrew, Hex 3/8-16x1" (4 Req.)	S26826
800D	Capscrew, Hex 3/8-16x7/8" (4 Req.)	S26825
810	Plug, Pipe 1/2 NPT (4 Req.)	S23717
811A	Fitting, Grease Drive Type	S23670
811B	Fitting, Grease	S23702
816	Ring, Retaining	S17831



# BERKELEY® B6EXQBH

## Silicon Bronze Impeller

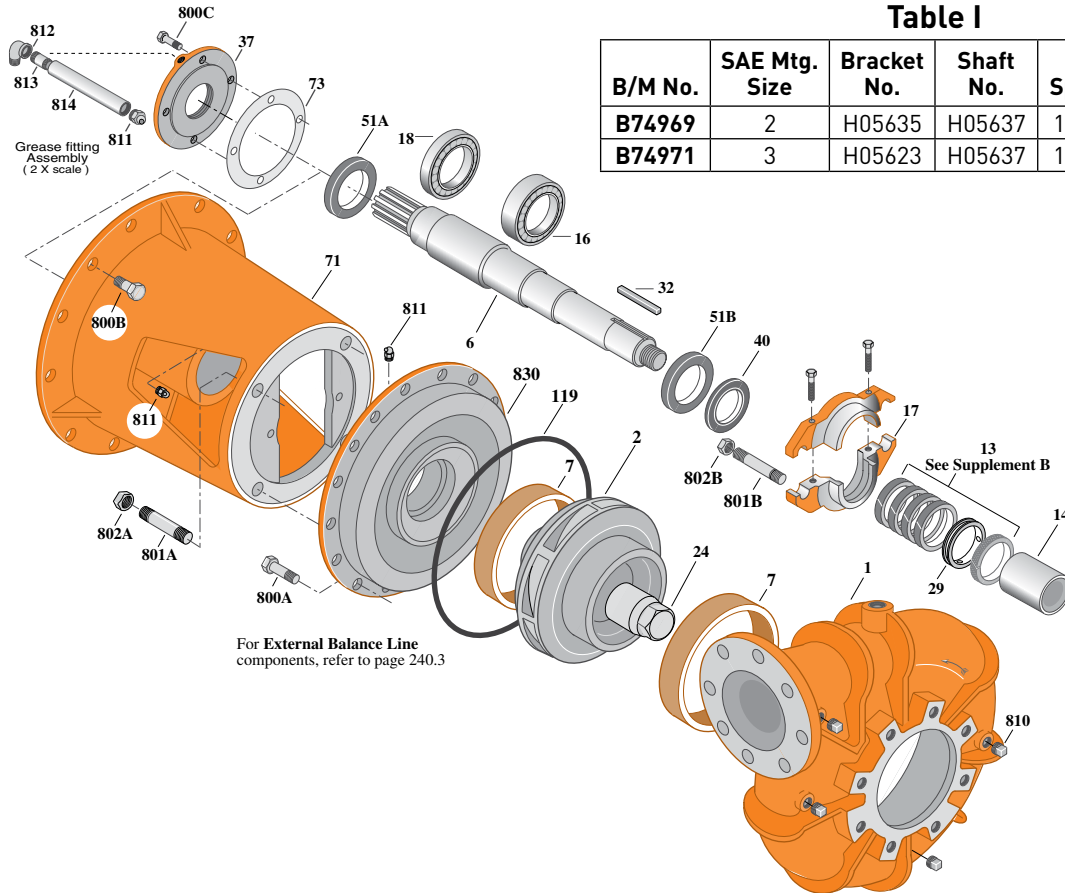
### Flanged Case, Packing Construction

SAE ENGINE MOUNT

Section	SAE
Page	240.25
Date	March 4, 2013
Supersedes 01/01/04	

Table I

B/M No.	SAE Mtg. Size	Bracket No.	Shaft No.	Shaft Spline No.	Shaft Ext.
B74969	2	H05635	H05637	1-1/2-10T	3"
B74971	3	H05623	H05637	1-1/2-10T	3"



Item No.	Part Description	Part Number
1	Case, Volute	H05097
2	Impeller	L07148
6	Shaft	See Table I
7	Ring, Wearing (2 Req.)	S04879
13	Ring, Packing (Set of 4)	S08294
14	Sleeve, Shaft	S07073
16	Bearing, Ball	S14049
17	Gland, Packing	M02874
18	Bearing, Ball	M09974
24	Lock, Impeller	S07829
29	Ring, Lantern	S19198
32	Key, 3/8 x 2"	S23939
37	Outer Bearing Cap	L07591
40	Slinger, Water	M09682
51A	Seal, Oil	M10210
51B	Seal, Oil	S14769

Item No.	Part Description	Part Number
71	Bracket	See Table I
73	Gasket	S19665
119	O-Ring	S14444
800A	Capscrew, Hex 5/8-11x1-1/2" (16 Req.)	S26999
800B	Capscrew, Hex 3/8-16x2" (12 Req.)	S26834
800C	Capscrew, Hex 3/8-16x1" (4 Req.)	S26826
801A	Stud, 3/4-10x2-3/4" (4 Req.)	S24080
801B	Stud, 1/2-13x3-3/4" (2 Req.)	S08305
802A	Nut, Hex 3/4-10 (4 Req.)	S23111
802B	Nut, Hex 1/2-13 (2 Req.)	S23347
810	Plug, Pipe 1/2 NPT (4 Req.)	S23717
811	Fitting, Grease (3 Req.)	S23702
812	Elbow, Street 90°	S25406
813	Nipple, Pipe	S24284
814	Coupling, Pipe	S24261
830	Cover, Case Back	H05100

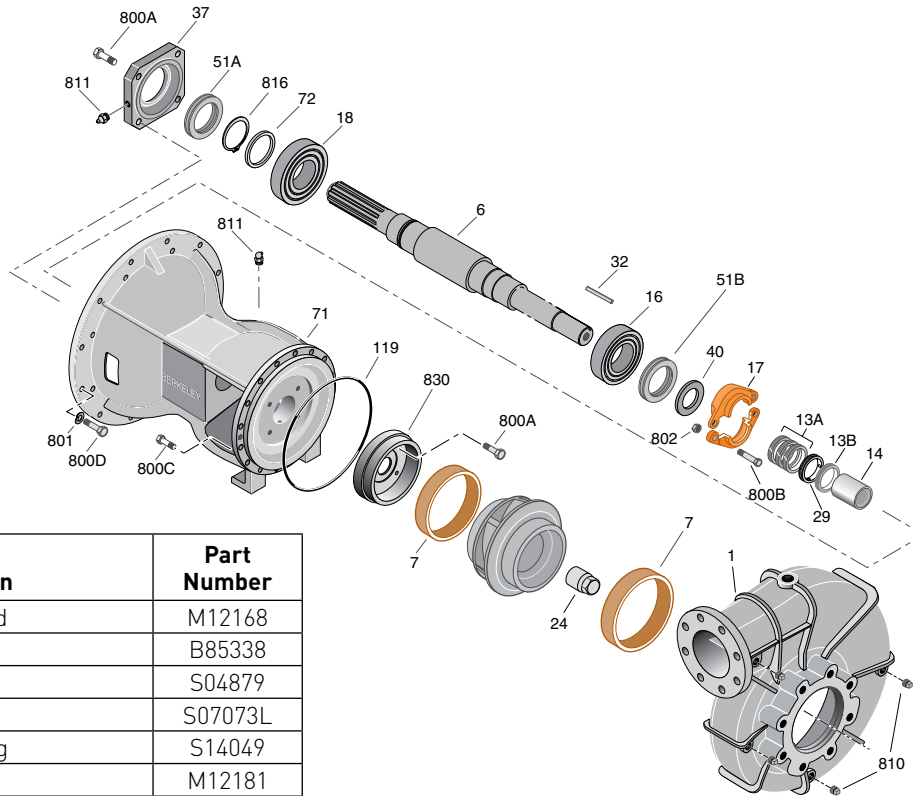


# BERKELEY® B6XTQBH Cast Iron Impeller

SAE ENGINE MOUNT

Section	SAE
Page	245.1
Date	March 4, 2013
Supersedes 07/09/10	

## B6XT Common Parts Groups Repair Parts List



Item No.	Part Description	Part Number
1	Volute Case, CW Flanged	M12168
6	Shaft	B85338
7	Wear Ring [Req. 2]	S04879
14	Shaft Sleeve	S07073L
16	Double Row Ball Bearing	S14049
18	Single Row Ball Bearing	M12181
32	Shaft Key, 3/8" Sq.	M14681
37	Bearing Cap	M12174
40	Water Slinger	M09682
51A	Grease Seal	M12241
51B	Grease Seal	M12177
71	Bracket	M12173
72	Thrust Ring	M12182
119	O-Ring	S14444
800A	3/8-16x1" Lg. Hex Hd Capscrew [8 Req.]	S26826
800C	5/8-11 x 1-1/2" Hex Hd Capscrew [16 Req.]	S26999
800D	3/8-16 x 1-1/4" Lg. Hex Hd. Capscrew [12 Req.]**	S26828
801	3/8" Lock Washer**	S23036
810	1/2" NPT Sq. Hd. Pipe Plug [4 Req.]	S23717
811	Grease Fitting [2 Req.]	M11141
816	External Retaining Ring	M12183
830	Balance Hub	M12175

### Packing Components

Item No.	Part Description	Part Number
13A	Packing Ring [Req. 3]	S08294
13B	Metallic Packing Ring	S11093
17	Split Packing Gland	B82473
24	Locknut, Impeller	S07829
29	Lantern Ring	S19198
800B	1/2-13 x 2-3/4" Bolt [2 Req.]	S23794
802	1/2-13 Hex Nut [2 Req.]	S23347

\*Replacement shaft sold as kit only. Kit includes Items No. 6 shaft, 14 sleeve and 16 and 18 bearings, 40 waterslinger, 72 thrust ring, and 816 retaining ring.

\*\*Models B85335 and B85336 only.

Refer to following page for model specific repair parts listing.



# BERKELEY® B6XTQBH

## Cast Iron Impeller

SAE ENGINE MOUNT

Section	SAE
Page	245.2
Date	March 4, 2013
Supersedes 07/09/10	

### B6XTQBH Series SAE 1, 2 & 3

Pump Series	Catalog Number	SAE	Style	Impeller	Impeller Locknut	SAE Adapter Kit*	Replacement Shaft Kit	Replacement Coupling
<b>B6XTQBH Packing Construction</b>	<b>B85333</b>	2/3	Flanged Suction Kit	M14679	S07829	-	B85338	B85410
	<b>B85335</b>	1	8-1/2"x13-1/2" B59878	15-1/2" Dia.		B80294		
	<b>B85334</b>	2/3	Flanged Discharge Kit	M14680	S07829	-		
	<b>B85336</b>	1	6" x 11" B59872	14" Dia.		B80294		

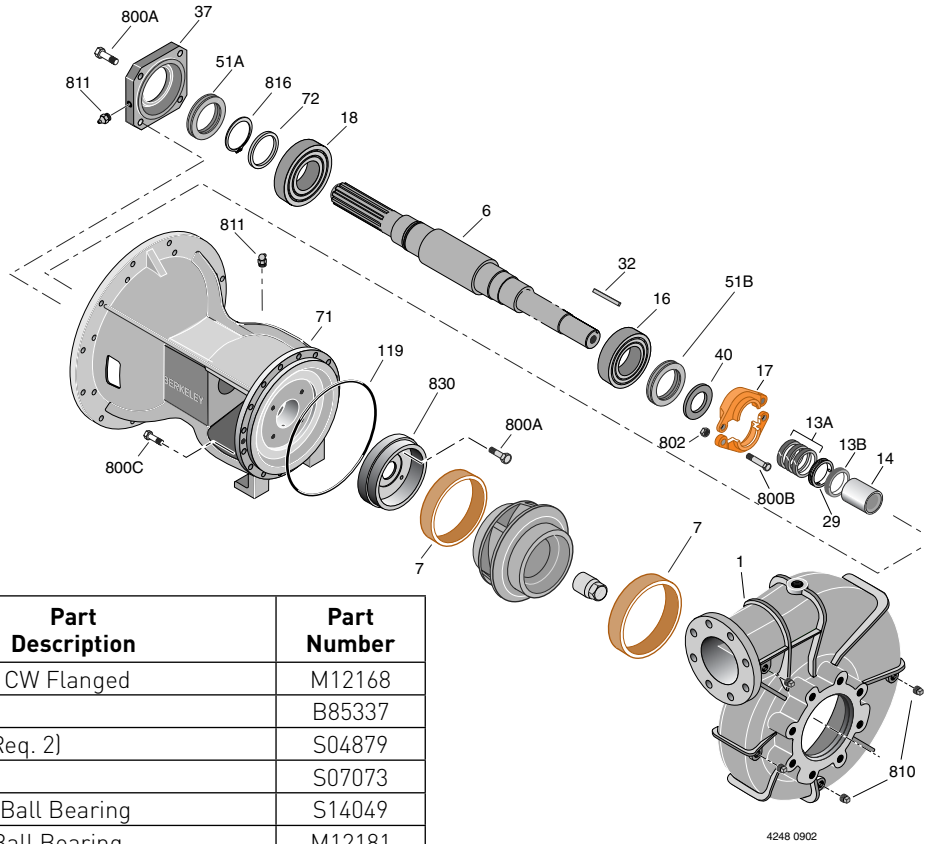
\* Not illustrated.

# BERKELEY® B6XTQBH Cast Iron Impeller

SAE ENGINE MOUNT

Section	SAE
Page	245.3
Date	March 4, 2013
Supersedes 04/15/06	

## B6XT Common Parts Groups Repair Parts List



Item No.	Part Description	Part Number
1	Volute Case, CW Flanged	M12168
6	Shaft	B85337
7	Wear Ring (Req. 2)	S04879
14	Shaft Sleeve	S07073
16	Double Row Ball Bearing	S14049
18	Single Row Ball Bearing	M12181
32	Shaft Key, 3/8" Sq.	M14681
37	Bearing Cap	M12174
40	Water Slinger	M09682
51A	Grease Seal	M12241
51B	Grease Seal	M12177
71	Bracket	M12173
72	Thrust Ring	M12182
119	O-Ring	S14444
800A	3/8-16 x 1" Lg. Hex Hd Capscrew (8 Req.)	S26826
800C	5/8-11 x 1-1/2" Hex Hd Capscrew (16 Req.)	S26999
810	1/2" NPT Square Hd. Pipe Plug (4 Req.)	S23717
811	Grease Fitting (2 Req.)	S23702
816	External Retaining Ring	M12183
830	Balance Hub	M12175

## Packing Components

Item No.	Part Description	Part Number
13A	Packing Ring (Req. 3)	S08294
13B	Metallic Packing Ring	S11093
17	Split Packing Gland	B82473
29	Lantern Ring	S19198
800B	1/2-13 x 2-3/4" Bolt (2 Req.)	S23794
802	1/2-13 Hex Nut (2 Req.)	S23347

Refer to following page for model specific repair parts listing.



# BERKELEY® B6XTQBH

## Cast Iron Impeller

SAE ENGINE MOUNT

Section	SAE
Page	245.4
Date	March 4, 2013
Supersedes 04/15/06	

### B6XTQBH Series SAE 1, 2 & 3

Pump Series	Catalog Number	SAE	Style	Impeller	Impeller Locknut	SAE Adapter Kit	Replacement Shaft Kit	Replacement Coupling
<b>B6XTQBH Packing Construction</b>	<b>B85333</b>	2/3	Flanged Suction Kit	M14679	S07829	-	B85337	B77605
	<b>B85335</b>	1	8-1/2"x13-1/2" B59878	15-1/2" Dia.		M12423		
	<b>B85334</b>	2/3	Flanged Discharge Kit	M14680	S07829	-		
	<b>B85336</b>	1	6" x 11" B59872	14" Dia.		M12423		



# BERKELEY® B6XTQBHS

SAE ENGINE MOUNT

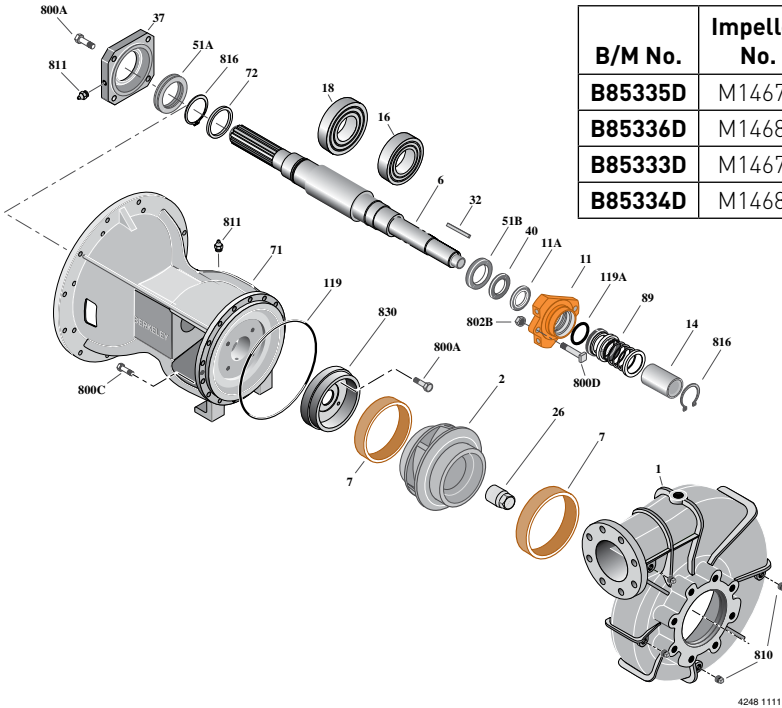
## Cast Iron Impeller

Flanged Case, Mechanical Shaft Seal Construction

Section	SAE
Page	245.5
Date	March 4, 2013
Supersedes 01/01/12	

Table I

B/M No.	Impeller No.	Impeller Dia.	Bracket No.	Shaft No.	Shaft Spline No.	Shaft Ext.
B85335D	M14679	15-1/2"	M14962	M14678	1-1/2-10T	3"
B85336D	M14680	14"	M14962	M14678	1-1/2-10T	3"
B85333D	M14679	15-1/2"	M14962	M14678	1-1/2-10T	3"
B85334D	M14680	14"	M14962	M14678	1-1/2-10T	3"



Item No.	Part Description	Part Number
1	Case, Volute	M12168
2	Impeller	See Table 1
6	Shaft	See Table 1
7	Ring, Wearing [2 Rqd.]	S04879
11	Retainer, Mechanical Shaft Seal, Dry Run	M14960
11A	Dry run Gland Lip Seal	M12177
14	Sleeve, Shaft	S07073L
16	Bearing, Ball	S14049
18	Bearing, Ball	M12181
26	Locknut, impeller	S07829
32	Shaft key, 3/8" x 3/8" x 3-1/2"	M14681
37	Outer Bearing Cap Assembly	M12174
40	Slinger, Water	M09682
51A	Seal, Oil	M12241
51B	Seal, Oil	M12177
71	Bracket	See Table 1
72	Thrust Ring	M12182
89	Seal, Mechanical Shaft	M12469
119	O-Ring (Volute)	S14444

Item No.	Part Description	Part Number
119A	O-Ring (Gland)	M14973
800A	Capscrew, Hex 3/8-16x1" [8 Rqd.]	S26826
800C	Capscrew, Hex 5/8-11x1-3/4" [2 Rqd.] top ctr	S27001
802	Nut, Hex 1/2-13 [2 Rqd.]	S23347
810	Plug, Pipe 1/2 NPT [4 Rqd.]	S23717
811	Fitting, Grease	S23702
816	Ring, Retaining	M12183
830	Hub, Balance	M15164
•	Ring, Adapter, SAE 1/2	B80294
•	Coupling, replacement elastomeric	B85410

• Not illustrated.

**NOTE 1: Shaft Replacement Part Kit** is available for this model. Berkeley part number **B71894**. Pump shaft sold in replacement kit only. Refer to **Supplement C** for shaft kit components.

**NOTE 2: Refer to Supplement F** for dry run tank repair parts. Dry run lubrication system requires one gallon of food grade hydraulic oil (FGHO), viscosity 150 SSU at 100° F. Oil not supplied, purchase locally.



# BERKELEY® B8GQBM

SAE ENGINE MOUNT

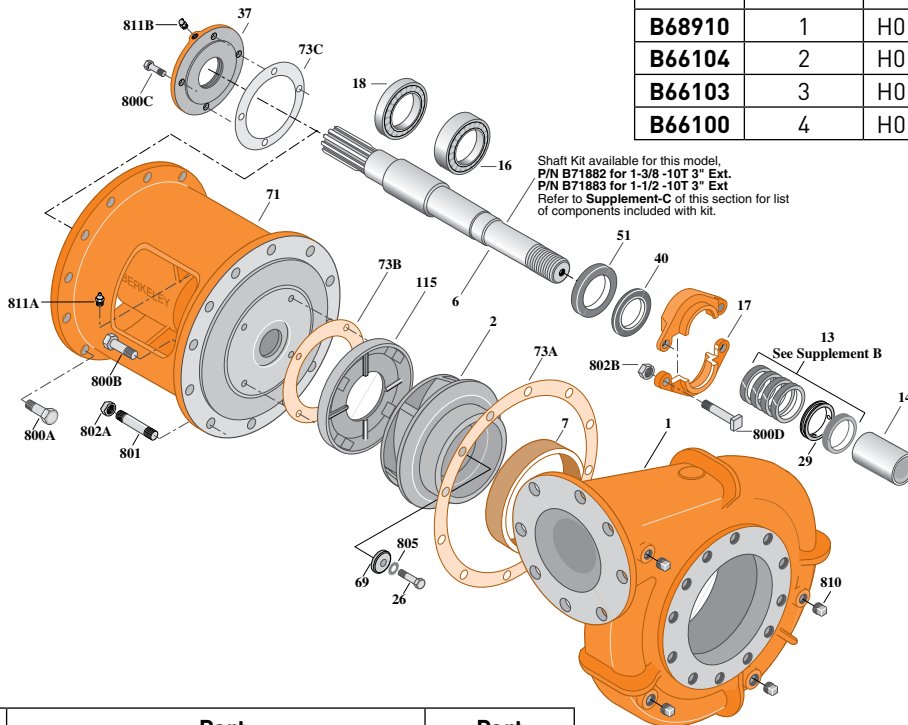
## Cast Iron Impeller

Flanged Case, Packing Construction

Section	SAE
Page	250.1
Date	March 4, 2013
Supersedes 01/01/04	

Table I

B/M No.	SAE Mtg. Size	Bracket No.	Shaft No.	Shaft Spline No.	Shaft Ext.
B68910	1	H01598	M06183	1-1/2-10T	3"
B66104	2	H01597	M06183	1-1/2-10T	3"
B66103	3	H01596	M06183	1-1/2-10T	3"
B66100	4	H01595	M06186	1-3/8-10T	3"



Item No.	Part Description	Part Number
1	Case, Volute	H00811
2	Impeller	M03799
6	Shaft (See Note)	See Table I
7	Ring, Wearing	S05973
13	Ring, Packing (Set of 4)	S13436
14	Sleeve, Shaft	S05974
16	Bearing, Ball	S13396
17	Gland, Packing	B82472
18	Bearing, Ball	S13395
26	Screw, Impeller 1/2-13x3"	S23631
29	Ring, Lantern	S18993
37	Outer Bearing Cap	M04998
40	Slinger, Water	S10964
51	Seal, Oil	S14765
69	Washer, Impeller	S06319
71	Bracket	See Table I
73A	Gasket, Volute	S06271
73B	Gasket, Balance Ring	S09943

Item No.	Part Description	Part Number
73C	Gasket	S18055
115	Ring, Balance	S12335
800A	Capscrew, Hex 3/8-16x1-1/4" (12 Req. - SAE 1)	S26872
800A	Capscrew, Hex 3/8-16x1-1/4" (12 Req. - SAE 2)	S26828
800B	Capscrew, Hex 3/8-16x1" (4 Req.)	S26826
800C	Capscrew, Hex 1/4-20x3/4" (4 Req.)	S23119
800D	Bolt, Sq. Head 1/2-13x2-3/4" (2 Req.)	S23794
801	Stud, 5/8-11x2-1/4" (12 Req.)	S24601
802A	Nut, Hex 5/8-11 (12 Req.)	S23109
802B	Nut, Hex 1/2-13x7/16" (2 Req.)	S23347
805	Washer, Lock	S23038
810	Plug, Pipe 1/2 NPT (5 Req.)	S23717
811A	Fitting, Grease Drive Type	S23670
811B	Fitting, Grease	S23702
•	Fitting, Grease	S23700

• Not illustrated.



# BERKELEY® B8GQBMS

SAE ENGINE MOUNT

## Cast Iron Impeller

Flanged Case, Mechanical Shaft Seal Construction

Section	SAE
Page	250.2
Date	March 4, 2013
Supersedes 01/01/12	

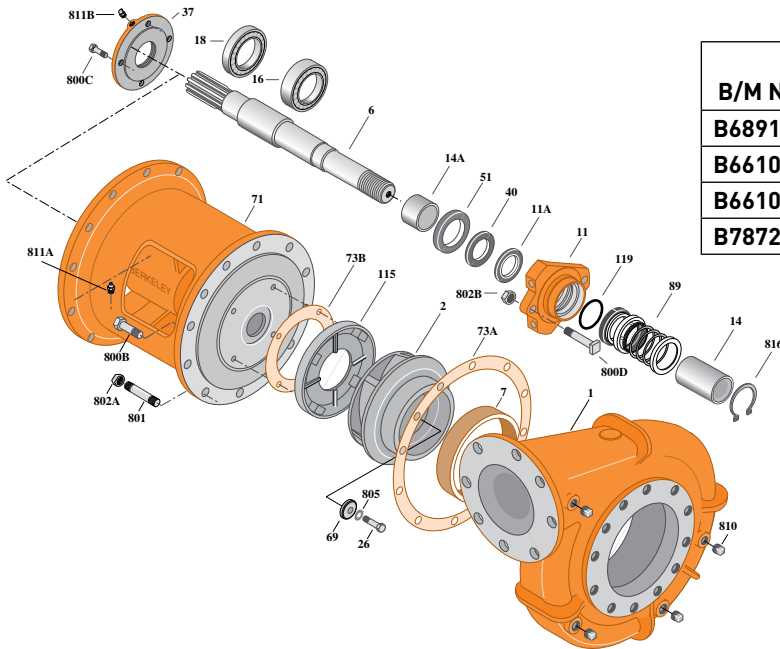


Table I

B/M No.	SAE Mtg. Size	Bracket No.	Shaft No.	Shaft Spline No.	Shaft Ext.
B68910D	1	M14968	M06183	1-1/2-10T	3"
B66104D	2	M14967	M06183	1-1/2-10T	3"
B66103D	3	M14966	M06183	1-1/2-10T	3"
B78723D	4	M14965	M06183	1-1/2-10T	3"

1994 1111

Item No.	Part Description	Part Number
1	Case, Volute	M15073
2	Impeller	M03799
6	Shaft	See Table 1
7	Ring, Wearing	S05973
11	Retainer, Mechanical Shaft Seal, Dry Run	M14959
11A	Dry run Gland Lip Seal	M12337
14	Sleeve, Shaft	S33429L
14A	Sleeve, Shaft	M14971
16	Bearing, Ball	S13396
18	Bearing, Ball	S13395
26	Screw, Impeller 1/2-13x1-1/2"	S23631
37	Outer Bearing Cap Assembly	M04998
40	Water Slinger	S10964
51	Seal, Oil	S14765
69	Washer, Impeller	S06319
71	Bracket	See Table 1
73A	Gasket, Volute	S06271
73B	Gasket, Balance Ring	S09943
89	Seal, Mechanical Shaft	S32693
115	Ring, Balance	S12335
119	O-Ring	M14972

Item No.	Part Description	Part Number
800B	Capscrew, Hex 3/8-16x1" (4 Rqd.)	S26826
800C	Capscrew, Hex 1/4-2x3/4" (4 Rqd.)	S23119
800D	Bolt, Sq. Head 1/2-13x2-3/4" (2 Rqd.)	S23794
801	Stud 5/8-11NC X 2-1/4 LG (10 Rqd.)	S24061
801	Stud 5/8-11NC X 2-1/2 LG (2 Rqd.) top ctr	S24062
802A	Nut, Hex 5/8-11 STL (12 Rqd)	S23109
802B	Nut, Hex 1/2-13 (2 Rqd.)	S23347
805	Washer, Lock	S23038
810	Plug, Pipe 1/2 NPT (4 Rqd.)	S23717
811A	Fitting, Grease	S23670
811B	Fitting, Grease	S23702
816	Ring, Retaining	S29341

**NOTE 1: Shaft Replacement Kit** is available for this model. Berkeley part number **B71894**. Pump shaft sold in replacement kit only. Refer to **Supplement C** for shaft kit components.

**NOTE 2: Refer to Supplement F** for dry run tank repair parts. Dry run lubrication system requires one gallon of food grade hydraulic oil (FGHO), viscosity 150 SSU at 100° F. Oil not supplied, purchase locally.



# BERKELEY® B8JQBH

## Cast Iron Impeller

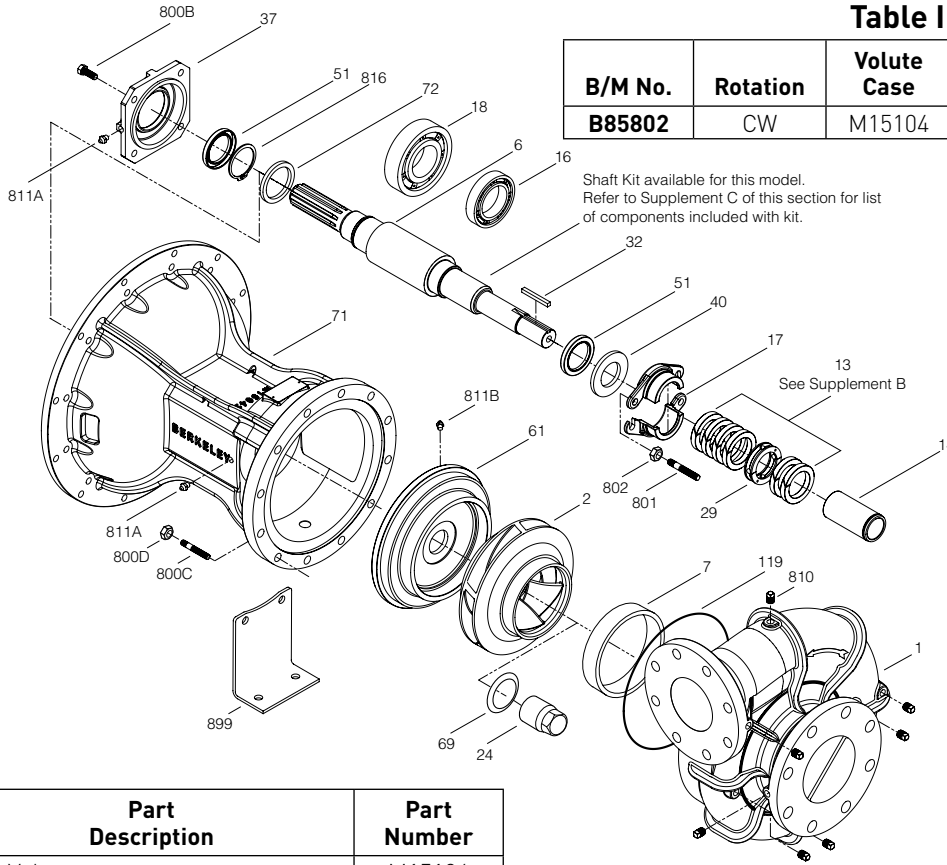
Flanged Case, Packing Construction

SAE ENGINE MOUNT

Section	SAE
Page	254.1
Date	March 4, 2013
Supersedes 06/01/11	

**Table I**

B/M No.	Rotation	Volute Case	Impeller	Impeller Diameter
B85802	CW	M15104	M15106	13.50"



Shaft Kit available for this model. Refer to Supplement C of this section for list of components included with kit.

Item No.	Part Description	Part Number
1	Case, Volute	M15104
2	Impeller (Note 1)	M15106
6	Shaft (Note 2)	M15118
7	Ring, Wearing	M15126
13	Ring, Packing [Set of 6]	S16448
14	Sleeve, Shaft (Note 3)	S29517L
16	Bearing, Ball (Note 2)	M15133
17	Gland, Packing [2 rqd]	M05311
18	Bearing, Ball (Note 2)	M15132
24	Locknut, Impeller (Note 1,3)	S07829
29	Ring, Lantern	S14330
32	Key, 1/2x1/2x2-3/4" (Note 1,3)	M15123
37	Bearing Cap	M15119
40	Slinger, Water (Note 2)	M15129
51	Seal, Grease [2 rqd]	M15135
61	Plate, Seal	M15111
69	Washer, Impeller (Note 1,3)	M15232
71	Bracket	M15116
72	Ring, Thrust (Note 2)	M15202
119	O-Ring (Note 1,3)	M15130

Item No.	Part Description	Part Number
800B	Capscrew, 1/2-13x1.5" [4 rqd]	S23623
800C	Stud, 5/8-11x2-1/2" [12 rqd]	M15388
800D	Nut, Hex 5/8-11 [12 rqd]	S23490
801	Stud, 1/2-13x2-1/2" [2 rqd]	S24358
802	Nut, Hex 1/2-13 [2 rqd]	S23347
810	Plug, Pipe [7 rqd]	S23717
811A	Fitting, Grease [2 rqd]	S23670
811B	Fitting, Grease	S23700
816	Ring, Retaining (Note 2)	M15134
899	Pump Support	M15588

**NOTE 1:** Impeller Kit **B85813** includes items 2, 24, 32, 69, 119.

**NOTE 2:** Shaft Replacement Kit **B85675** available for this model. Pump Shaft sold in shaft replacement kit only.

**NOTE 3:** Shaft Sleeve Kit **B85812** includes item 14, adhesive and instruction sheet.



# BERKELEY® B8JQBHS

SAE ENGINE MOUNT

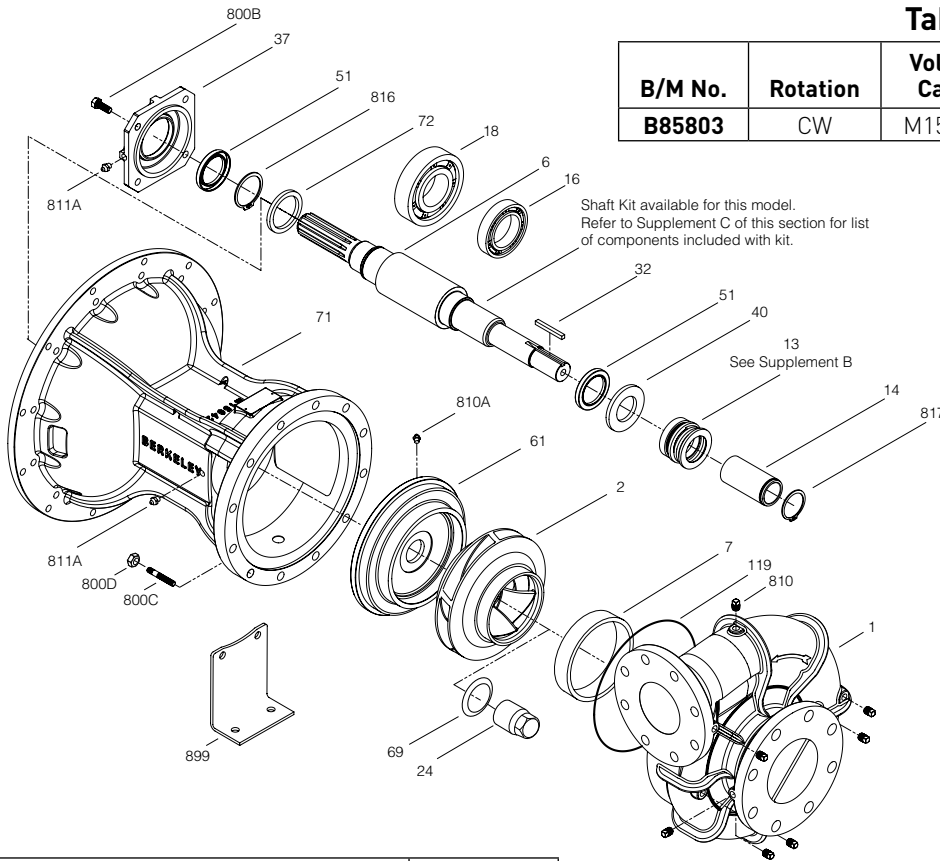
## Cast Iron Impeller

Flanged Case, Packing Construction

Section	SAE
Page	254.2
Date	March 4, 2013
Supersedes 06/01/11	

**Table I**

B/M No.	Rotation	Volute Case	Impeller	Impeller Diameter
B85803	CW	M15104	M15106	13.50"



6417 0511

Item No.	Part Description	Part Number
1	Case, Volute	M15104
2	Impeller [Note 1]	M15106
6	Shaft [Note 2]	M15118
7	Ring, Wearing	M15126
13	Seal, Mechanical	S32697
14	Sleeve, Shaft [Note 3]	S29517L
16	Bearing, Ball [Note 2]	M15133
18	Bearing, Ball [Note 2]	M15132
24	Locknut, Impeller [Note 1,3]	S07829
32	Key, 1/2x1/2x2-3/4" [Note 1,2,3]	M15123
37	Bearing Cap	M15119
40	Slinger, Water [Note 2]	M15129
51	Seal, Grease [2 rqd]	M15135
61	Plate, Seal	M15108
69	Washer, Impeller [Note 1,3]	M15232
71	Bracket	M15116
72	Ring, Thrust [Note 2]	M15202
119	O-Ring [Note 1,3]	M15130

Item No.	Part Description	Part Number
800B	Capscrew, 1/2-13x1.5" [4 rqd]	S23623
800C	Stud, 5/8-11x2-1/2" [12 rqd]	M15388
800D	Nut, Hex 5/8-11 [12 rqd]	S23109
810	Plug, Pipe [7 rqd]	S23717
810A	Plug, Pipe	S23714
811A	Fitting, Grease [2 rqd]	S23670
816	Ring, Retaining [Note 2]	M15134
817	Ring, Retaining	S29519
899	Pump Support	M15588

**NOTE 1:** Impeller Kit **B85813** includes items 2, 24, 32, 69, 119.

**NOTE 2:** Shaft Replacement Kit **B85675** available for this model. Pump Shaft sold in shaft replacement kit only.

**NOTE 3:** Shaft Sleeve Kit **B85812** includes item 14, adhesive and instruction sheet.



# BERKELEY® B10GQBM

## SAE ENGINE MOUNT

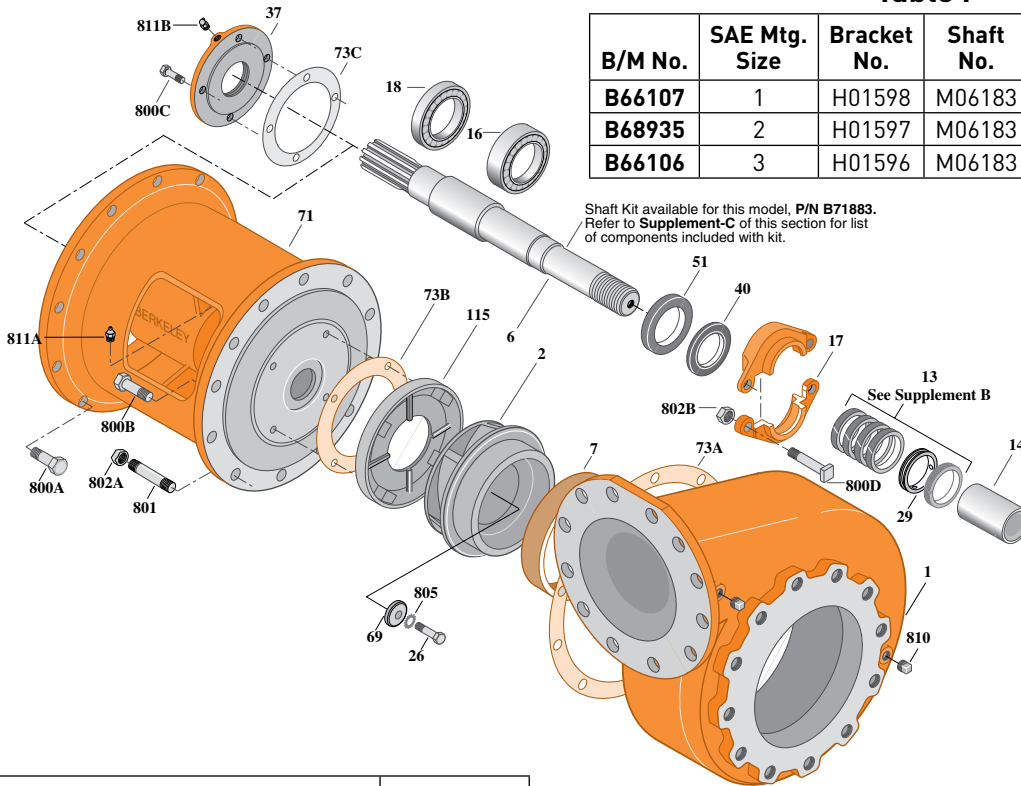
### Cast Iron Impeller

Flanged Case, Packing Construction

Section	SAE
Page	260.1
Date	March 4, 2013
Supersedes 01/01/04	

Table I

B/M No.	SAE Mtg. Size	Bracket No.	Shaft No.	Shaft Spline No.	Shaft Ext.
B66107	1	H01598	M06183	1-1/2-10T	3"
B68935	2	H01597	M06183	1-1/2-10T	3"
B66106	3	H01596	M06183	1-1/2-10T	3"



Item No.	Part Description	Part Number
1	Case, Volute	H02389
2	Impeller	L04063
6	Shaft	See Table I
7	Ring, Wearing	M00999
13	Ring, Packing (Set of 4)	S13436
14	Sleeve, Shaft	S05974
16	Bearing, Ball	S13396
17	Gland, Packing	B82472
18	Bearing, Ball	S13395
26	Screw, Impeller 1/2-13x2-1/2"	S23629
29	Ring, Lantern	S18993
37	Outer Bearing Cap	M04998
40	Slinger, Water	S10964
51	Seal, Oil	S14765
69	Washer, Impeller	S06319
71	Bracket	See Table I
73A	Gasket, Volute	S06271
73B	Gasket, Balance Ring	S09943

Item No.	Part Description	Part Number
73C	Gasket	S18055
115	Ring, Balance	S12335
800A	Capscrew, Hex 7/16-14x1-1/4" (12 Req. - SAE 1)	S26872
800A	Capscrew, Hex 3/8-16x1-1/4" (12 Req. - SAE 2, SAE 3)	S26828
800B	Capscrew, Hex 3/8-16x1" (4 Req.)	S26826
800C	Capscrew, Hex 1/4-20x3/4" (4 Req.)	S23119
800D	Bolt, Sq. Head 1/2-13x2-3/4" (2 Req.)	S23794
801	Stud, 5/8-11x2-1/4" (12 Req.)	S23061
802A	Nut, Hex 5/8-11 (12 Req.)	S23109
802B	Nut, Hex 1/2-13x7/16" (2 Req.)	S23347
805	Washer, Lock	S23038
811A	Fitting, Grease Drive Type	S23670
811B	Fitting, Grease	S23702
810	Plug, Pipe 1/2 NPT (4 Req.)	S23717
•	Fitting, Grease	S23700

• Not illustrated.





# BERKELEY® B10GQBMS

SAE ENGINE MOUNT

## Cast Iron Impeller

Flanged Case, Mechanical Shaft Seal Construction

Section	SAE
Page	260.2
Date	March 4, 2013
Supersedes 01/01/12	

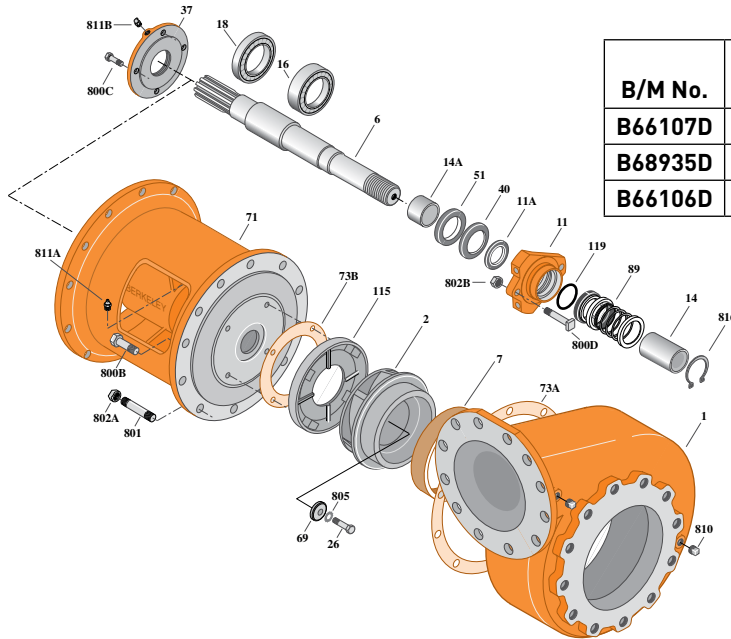


Table I

B/M No.	SAE Mtg. Size	Bracket No.	Shaft No.	Shaft Spline No.	Shaft Ext.
B66107D	1	M14968	M06183	1-1/2-10T	3"
B68935D	2	M14967	M06183	1-1/2-10T	3"
B66106D	3	M14966	M06183	1-1/2-10T	3"

Item No.	Part Description	Part Number
1	Case, Volute	H02389
2	Impeller	L04063
6	Shaft	See Table 1
7	Ring, Wearing	M00999
11	Retainer, Mechanical Shaft Seal, Dry Run	M14959
11A	Dry Run Gland Lip Seal	M12337
14	Sleeve, Shaft	S33429L
14A	Sleeve, Shaft	M14971
16	Bearing, Ball	S13396
18	Bearing, Ball	S13395
26	Screw, Impeller 1/2-13x1-1/2"	S23629
37	Outer Bearing Cap Assembly	M04998
40	Slinger, Water	S10964
51	Seal, Oil	S14765
69	Washer, Impeller	S06319
71	Bracket	See Table 1
73A	Gasket, Volute	S06271
73B	Gasket, Balance Ring	S09943
89	Seal, Mechanical Shaft	S32693
115	Ring, Balance	S12335
119	O-Ring	M14972

Item No.	Part Description	Part Number
800B	Capscrew, Hex 3/8-16x1" (4 Rqd.)	S26826
800C	Capscrew, Hex 1/4-20x3/4" (4 Rqd.)	S23119
800D	Bolt, Sq. Head 1/2-13x2-3/4" (2 Rqd.)	S23794
801	Stud, 5/8-11X2-1/4" (10 Rqd.)	S23061
801	Stud, 5/8-11X2-1/2" (2 Rqd.)	S24062
802A	Nut, Hex 5/8-11 (12 Rqd.)	S23109
802B	Nut, Hex 1/2-13 (2 Rqd.)	S23347
805	Washer, Lock	S23038
810	Plug, Pipe 1/2 NPT (2 Rqd.)	S23717
811A	Fitting, Grease	S23670
811B	Fitting, Grease	S23702
816	Ring, Retaining	S29341

**NOTE 1: Shaft Replacement Kit** is available for this model. Berkeley part number **B71894**. Pump shaft sold in replacement kit only. Refer to **Supplement C** for shaft kit components.

**NOTE 2:** Refer to **Supplement F** for dry run tank repair parts. Dry run lubrication system requires one gallon of food grade hydraulic oil (FGHO), viscosity 150 SSU at 100° F. Oil not supplied, purchase locally.



# BERKELEY® B10JQBH

SAE ENGINE MOUNT

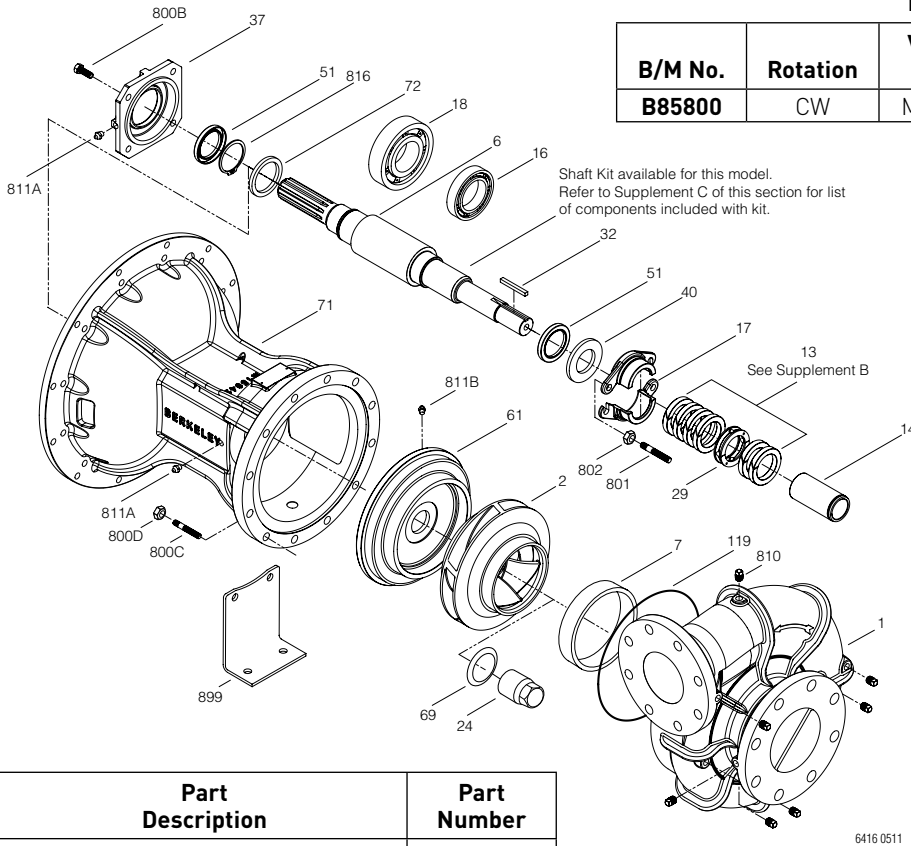
## Cast Iron Impeller

Flanged Case, Packing Construction

Section	SAE
Page	270.1
Date	March 4, 2013
Supersedes 06/01/11	

**Table I**

B/M No.	Rotation	Volute Case	Impeller	Impeller Diameter
B85800	CW	M15103	M15105	13.50"



Item No.	Part Description	Part Number
1	Case, Volute	M15103
2	Impeller [Note 1]	M15105
6	Shaft [Note 2]	M15118
7	Ring, Wearing	M15125
13	Ring, Packing [Set of 6]	S16448
14	Sleeve, Shaft [Note 3]	S29517L
16	Bearing, Ball [Note 2]	M15133
17	Gland, Packing [2 rqd]	M05311
18	Bearing, Ball [Note 2]	M15132
24	Locknut, Impeller [Note 1,3]	S07829
29	Ring, Lantern	S14330
32	Key, 1/2x1/2x2-3/4" [Note 1,3]	M15123
37	Bearing Cap	M15119
40	Slinger, Water [Note 2]	M15129
51	Seal, Grease [2 rqd]	M15135
61	Plate, Seal	M15110
69	Washer, Impeller [Note 1,3]	M15232
71	Bracket	M15116
72	Ring, Thrust [Note 2]	M15202
119	O-Ring [Note 1,3]	M15130

Item No.	Part Description	Part Number
800B	Capscrew, 1/2-13x1.5" [4 rqd]	S23623
800C	Stud, 5/8-11x2-1/2" [12 rqd]	M15388
800D	Nut, Hex 5/8-11 [12 rqd]	S23490
801	Stud, 1/2-13x2-1/2" [2 rqd]	S24358
802	Nut, Hex 1/2-13 [2 rqd]	S23347
810	Plug, Pipe [7 rqd]	S23717
811A	Fitting, Grease [2 rqd]	S23670
811B	Fitting, Grease	S23700
816	Ring, Retaining [Note 2]	M15134
899	Pump Support	M15588

**NOTE 1:** Impeller Kit **B85810** includes items 2, 24, 32, 69, 119.

**NOTE 2:** Shaft Replacement Kit **B85675** available for this model. Pump Shaft sold in shaft replacement kit only.

**NOTE 3:** Shaft Sleeve Kit **B85812** includes item 14, adhesive and instruction sheet.



# BERKELEY® B10JQBHS

SAE ENGINE MOUNT

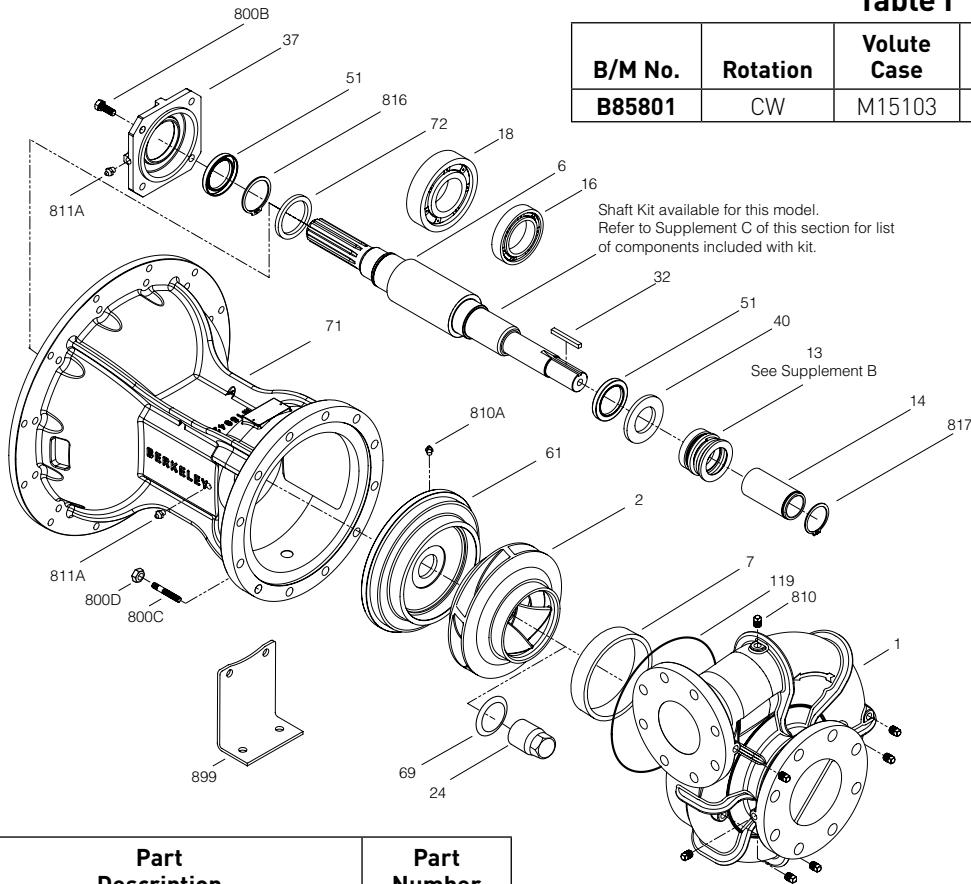
## Cast Iron Impeller

Flanged Case, Mechanical Shaft Seal Construction

Section	SAE
Page	270.2
Date	March 4, 2013
Supersedes 06/01/11	

**Table I**

B/M No.	Rotation	Volute Case	Impeller	Impeller Diameter
B85801	CW	M15103	M15105	13.50"



Item No.	Part Description	Part Number
1	Case, Volute	M15103
2	Impeller [Note 1]	M15105
6	Shaft [Note 2]	M15118
7	Ring, Wearing	M15125
13	Seal, Mechanical	S32697
14	Sleeve, Shaft [Note 3]	S29517L
16	Bearing, Ball [Note 2]	M15133
18	Bearing, Ball [Note 2]	M15132
24	Locknut, Impeller [Note 1,3]	S07829
32	Key, 1/2x1/2x2-3/4" [Note 1,2,3]	M15123
37	Bearing Cap	M15119
40	Slinger, Water [Note 2]	M15129
51	Seal, Grease [2 rqd]	M15135
61	Plate, Seal	M15107
69	Washer, Impeller [Note 1,3]	M15232
71	Bracket	M15116
72	Ring, Thrust [Note 2]	M15202
119	O-Ring [Note 1,3]	M15130

Item No.	Part Description	Part Number
800B	Capscrew, 1/2-13x1.5" [4 rqd]	S23623
800C	Stud, 5/8-11x2-1/2" [12 rqd]	M15388
800D	Nut, Hex 5/8-11 [12 rqd]	S23490
810	Plug, Pipe [7 rqd]	S23717
810A	Plug, Pipe	S23714
811A	Fitting, Grease [2 rqd]	S23670
816	Ring, Retaining [Note 2]	M15134
817	Ring, Retaining	S29519
899	Pump Support	M15588

**NOTE 1:** Impeller Kit **B85810** includes items 2, 24, 32, 69, 119.

**NOTE 2:** Shaft Replacement Kit **B85675** available for this model. Pump Shaft sold in shaft replacement kit only.

**NOTE 3:** Shaft Sleeve Kit **B85812** includes item 14, adhesive and instruction sheet.



# BERKELEY® B3TQKLS

## Cast Iron Impeller

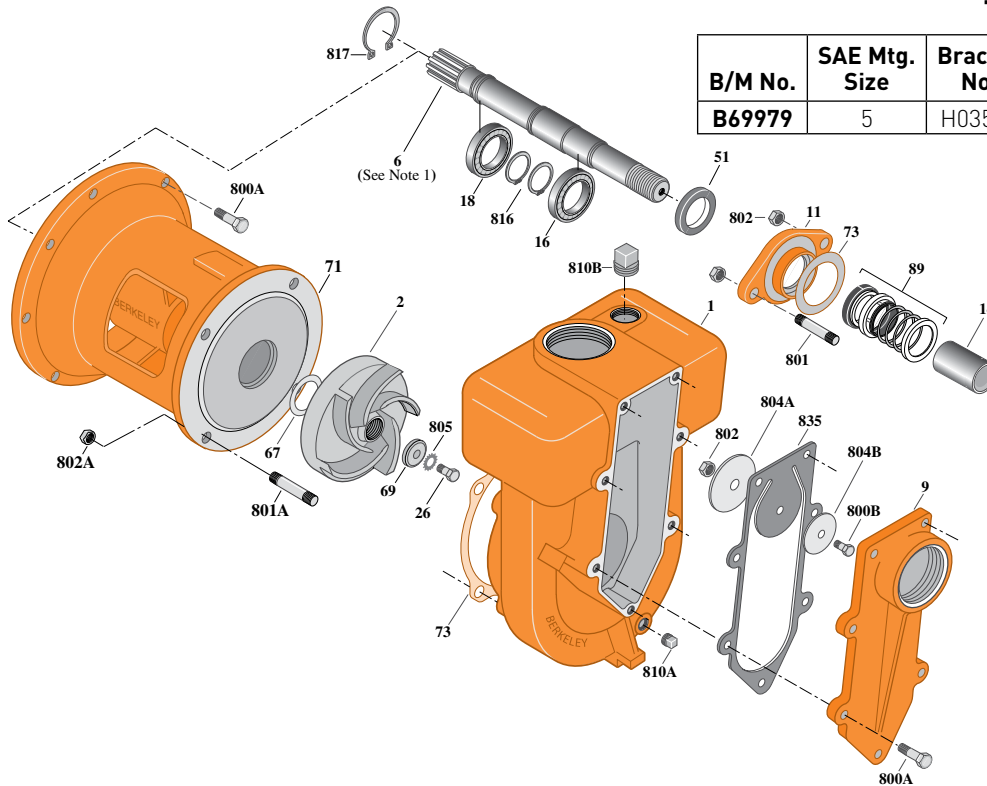
Threaded Case (NPT), Mechanical Seal Construction

SAE ENGINE MOUNT SELF PRIME

Section	SAE/SP
Page	10.1
Date	March 4, 2013
Supersedes 01/01/04	

Table I

B/M No.	SAE Mtg. Size	Bracket No.	Shaft No.	Shaft Spline No.	Shaft Ext.
B69979	5	H03583	M02711	1-3/8-10T	2-1/2"



Item No.	Part Description	Part Number
1	Case, Volute	H03741
2	Impeller	M07747
6	Shaft	See Table I
9	Cover, Suction	L05748
11	Seal Retainer	S05993
14	Sleeve, Shaft	S05127
16	Bearing, Ball	S13270
18	Bearing, Ball	S14059
26	Screw, Impeller	S23566
51	Seal, Oil	S14762
67	Spacer, Impeller	S15405
69	Washer, Impeller Lock	S06314
71	Bracket	See Table I
73A	Gasket, Volute	S04757
73A	Gasket, Volute (As required)	S15049
73B	Gasket, Seal Retainer	S08911
89	Seal, Mechanical Shaft	S32689
800A	Capscrew, 3/8 - 16 x 1-1/4" [15 Req.]	S26828

Item No.	Part Description	Part Number
800B	Capscrew, 3/8 - 16 x 3/4" [1 Req.]	S26824
801A	Stud, 1/2 - 13 x 1-1/2" [4 Req.]	S24043
801B	Stud, 3/8 - 16 x 3" [2 Req.]	S24001
802A	Nut, Hex 1/2-13 [4 Req.]	S23107
802B	Nut, Hex 3/8-16 [3 Req.]	S23103
804A	Weight, Clack	S15325
804B	Weight, Clack	S14843
805	Washer, Lock	S23036
810A	Plug, Pipe 1/2 NPT	S23715
810B	Plug, Pipe 1-1/4 NPT	S23694
•811	Fitting, Grease	S23700
816	Ring, Retaining [2 Req.]	S23010
817	Ring, Retaining	S24652
835	Clack, Rubber	L05749

• Not illustrated.

**NOTE 1:** Shaft kit available for this model, **P/N B71878**. Refer to **Supplement C**, section **SAE** for list of components included with kit.



# BERKELEY® B3TQKHS

## Cast Iron Impeller

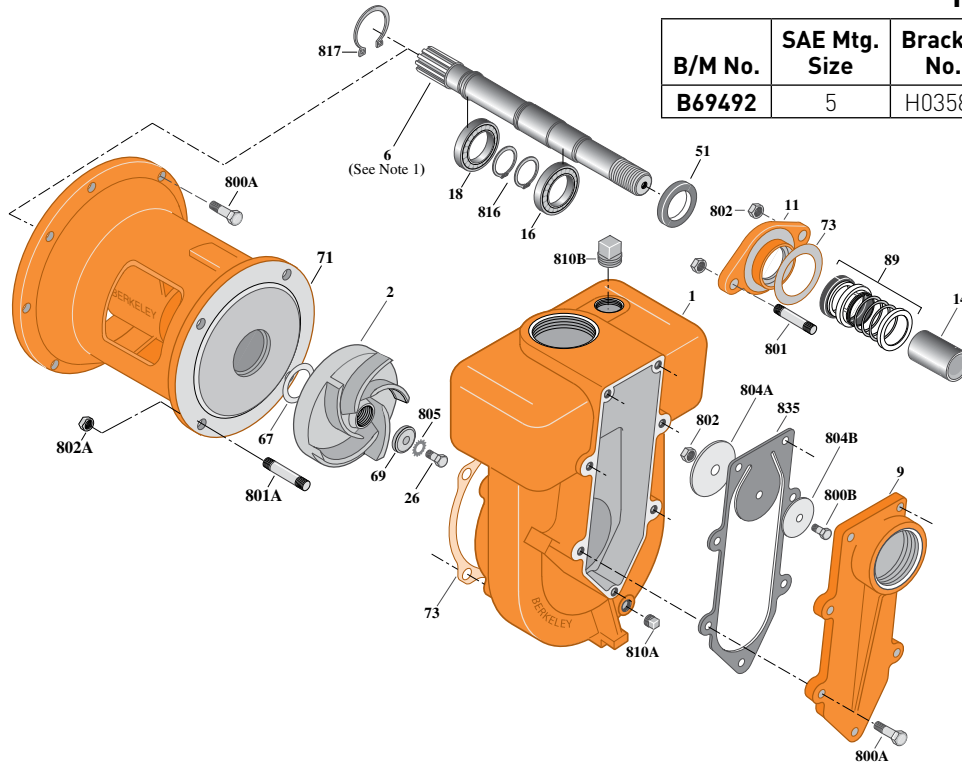
Threaded Case (NPT), Mechanical Seal Construction

SAE ENGINE MOUNT SELF PRIME

Section	SAE/SP
Page	20.1
Date	March 4, 2013
Supersedes 01/01/04	

Table I

B/M No.	SAE Mtg. Size	Bracket No.	Shaft No.	Shaft Spline No.	Shaft Ext.
B69492	5	H03583	M02711	1-3/8-10T	2-1/2"



Item No.	Part Description	Part Number
1	Case, Volute	H03741
2	Impeller	M07748
6	Shaft	See Table I
9	Cover, Suction	L05748
11	Seal Retainer	S05993
14	Sleeve, Shaft	S05127
16	Bearing, Ball	S13270
18	Bearing, Ball	S14059
26	Screw, Impeller	S23566
51	Seal, Oil	S14762
67	Spacer, Impeller	S15405
69	Washer, Impeller Lock	S06314
71	Bracket	See Table I
73A	Gasket, Volute	S04757
73A	Gasket, Volute (As required)	S15049
73B	Gasket, Seal Retainer	S08911
89	Seal, Mechanical Shaft	S32689
800A	Capscrew, 3/8 - 16 x 1-1/4" [15 Req.]	S26828

Item No.	Part Description	Part Number
800B	Capscrew, 3/8 - 16 x 3/4" [1 Req.]	S26824
801A	Stud, 1/2 - 13 x 1-1/2" [4 Req.]	S24043
801B	Stud, 3/8 - 16 x 3" [2 Req.]	S24001
802A	Nut, Hex 1/2-13 [4 Req.]	S23107
802B	Nut, Hex 3/8-16 [3 Req.]	S23103
804A	Weight, Clack	S15325
804B	Weight, Clack	S14843
805	Washer, Lock	S23036
810A	Plug, Pipe 1/2 NPT	S23715
810B	Plug, Pipe 1-1/4 NPT	S23694
•811	Fitting, Grease	S23700
816	Ring, Retaining [2 Req.]	S23010
817	Ring, Retaining	S24652
835	Clack, Rubber	L05749

• Not illustrated.

**NOTE 1:** Shaft kit available for this model, **P/N B71878**. Refer to **Supplement C**, section **SAE** for list of components included with kit.



# BERKELEY® B3TQKHS

## Cast Iron Impeller

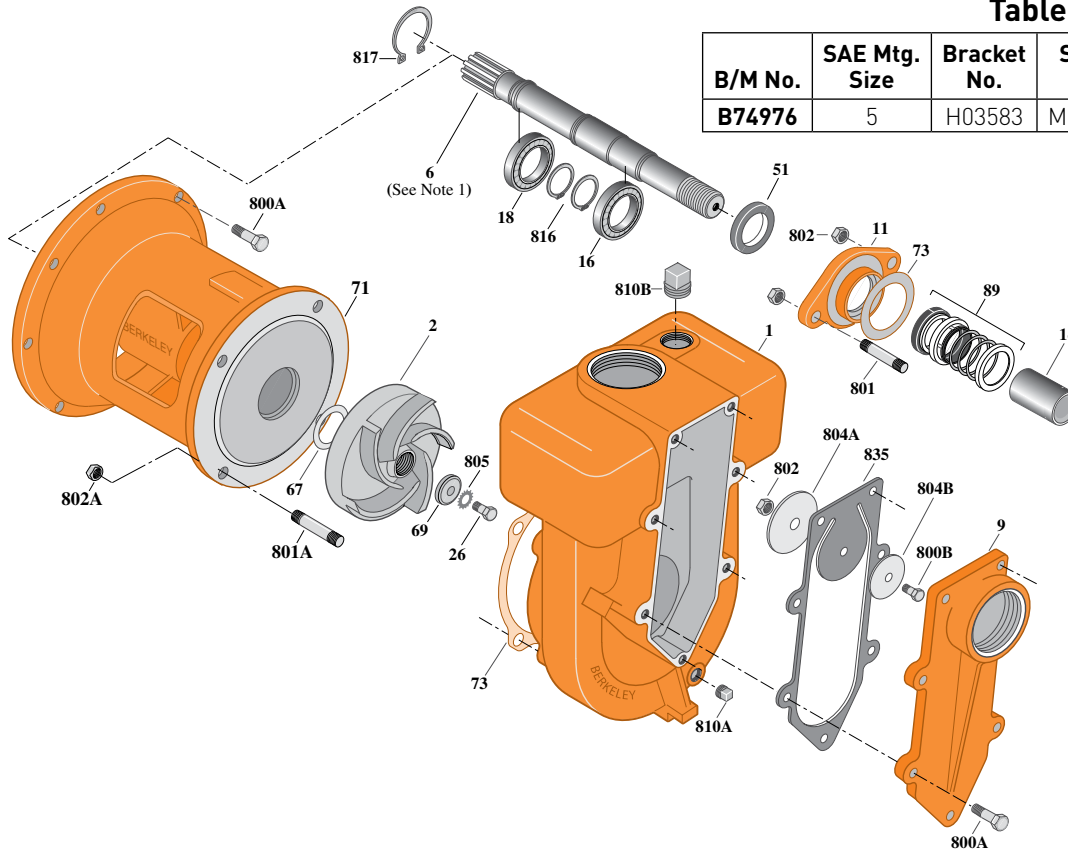
Threaded Case (NPT), Mechanical Seal Construction

SAE ENGINE MOUNT SELF PRIME

Section	SAE/SP
Page	20.2
Date	March 4, 2013
Supersedes 01/01/04	

Table I

B/M No.	SAE Mtg. Size	Bracket No.	Shaft No.	Shaft Spline No.	Shaft Ext.
B74976	5	H03583	M11108	1-3/8-10T	2-1/2"



Item No.	Part Description	Part Number
1	Case, Volute	H03741
2	Impeller	M07748
6	Shaft	See Table I
9	Cover, Suction	L05748
11	Seal Retainer	S05993
14	Sleeve, Shaft	S05127
16	Bearing, Ball	S13270
18	Bearing, Ball	S14059
26	Screw, Impeller	S23566
51	Seal, Oil	S14762
67	Spacer, Impeller	S15405
69	Washer, Impeller Lock	S06314
71	Bracket	See Table I
73A	Gasket, Volute	S04757
73A	Gasket, Volute (As required)	S15049
73B	Gasket, Seal Retainer	S08911

Item No.	Part Description	Part Number
89	Seal, Mechanical Shaft	S32689
800A	Capscrew, 3/8 - 16 x 1-1/4" [15 Req.]	S26828
800B	Capscrew, 3/8 - 16 x 3/4" [1 Req.]	S26824
801A	Stud, 1/2 - 13 x 1-1/2" [4 Req.]	S24043
801B	Stud, 3/8 - 16 x 3" [2 Req.]	S24001
802A	Nut, Hex 1/2-13 [4 Req.]	S23107
802B	Nut, Hex 3/8-16 [3 Req.]	S23103
804A	Weight, Clack	S15325
804B	Weight, Clack	S14843
805	Washer, Lock	S23036
810A	Plug, Pipe 1/2 NPT	S23715
810B	Plug, Pipe 1-1/4 NPT	S23694
•811	Fitting, Grease	S23700
816	Ring, Retaining [2 Req.]	S23010
817	Ring, Retaining	S24652
835	Clack, Rubber	L05749

• Not illustrated.





# BERKELEY® B4TQKHS

## Cast Iron Impeller

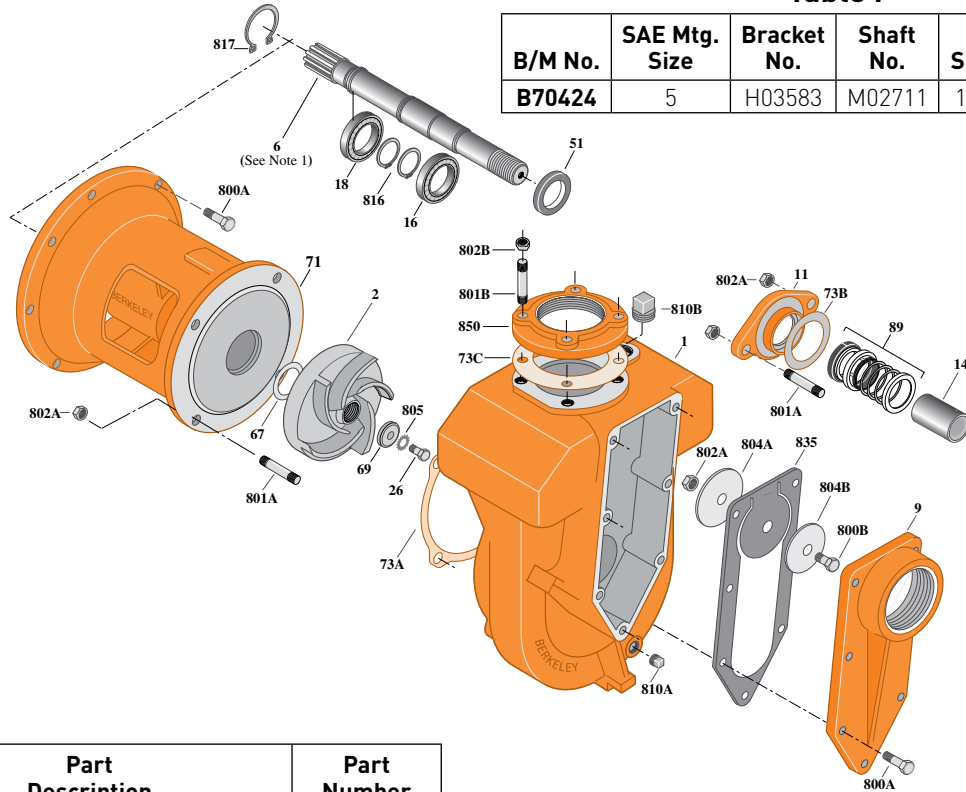
Threaded Case (NPT), Mechanical Seal Construction

SAE ENGINE MOUNT SELF PRIME

Section	SAE/SP
Page	30.1
Date	March 4, 2013
Supersedes 01/01/04	

Table I

B/M No.	SAE Mtg. Size	Bracket No.	Shaft No.	Shaft Spline No.	Shaft Ext.
B70424	5	H03583	M02711	1-3/8-10T	2-1/2"



Item No.	Part Description	Part Number
1	Case, Volute	H02550
2	Impeller	M06998
6	Shaft	See Table I
9	Cover, Suction	L04108
11	Seal Retainer	S05993
14	Sleeve, Shaft	S05127
16	Bearing, Ball	S13270
18	Bearing, Ball	S14059
26	Screw, Impeller	S23566
51	Seal, Oil	S14762
67	Spacer, Impeller	S15405
69	Washer, Impeller Lock	S06314
71	Bracket	See Table I
73A	Gasket, Volute	S04757
73B	Gasket, Seal Retainer	S08911
73C	Gasket, Flange	S10364
89	Seal, Mechanical Shaft	S32689
800A	Capscrew, 3/8 - 16 x 1-1/4" [15 Req.]	S26828
800B	Capscrew, 3/8 - 16 x 3/4" [1 Req.]	S26824

Item No.	Part Description	Part Number
801A	Stud, 3/8 - 16 x 3" [6 Req.]	S24001
801B	Stud, 5/8 - 11 x 2-1/2" [4 Req.]	S24062
802A	Nut, Hex 3/8-16 [7 Req.]	S23103
802B	Nut, Hex 5/8-11 [4 Req.]	S23109
804A	Weight, Clack	S14842
804B	Weight, Clack	S15325
805	Washer, Lock	S23036
810A	Plug, Pipe 1/2 NPT	S23717
810B	Plug, Pipe 1-1/4 NPT	S23694
•811	Fitting, Grease	S23700
816	Ring, Retaining [2 Req.]	S23010
817	Ring, Retaining	S24652
835	Clack, Rubber	L04119
850	Flange, Blind	S15933

• Not illustrated.

**NOTE 1:** Shaft kit available for this model, **P/N B71878**. Refer to **Supplement C**, section **SAE** for list of components included with kit.



# BERKELEY® B4ZQKLS

## Cast Iron Impeller

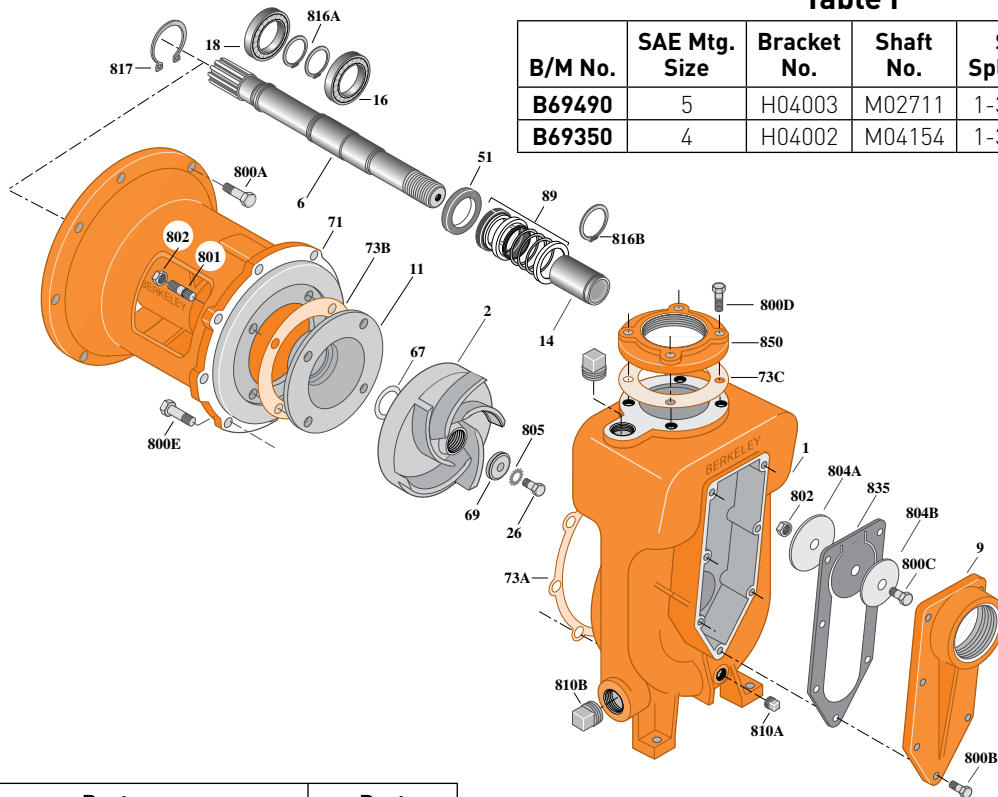
Threaded Case (NPT), Mechanical Seal Construction

SAE ENGINE MOUNT SELF PRIME

Section	SAE/SP
Page	40.1
Date	March 4, 2013
Supersedes 01/01/04	

Table I

B/M No.	SAE Mtg. Size	Bracket No.	Shaft No.	Shaft Spline No.	Shaft Ext.
B69490	5	H04003	M02711	1-3/8-10T	2-1/2"
B69350	4	H04002	M04154	1-3/8-10T	3"



Item No.	Part Description	Part Number
1	Case, Volute	H02505
2	Impeller	M08094
6	Shaft	See Table I
9	Cover, Suction	L04108
11	Seal Retainer	M06063
14	Sleeve, Shaft	S39242
16	Bearing, Ball	S13270
18	Bearing, Ball	S14059
26	Screw, Impeller	S23566
51	Seal, Oil	S14762
67	Spacer, Impeller	S15405
69	Washer, Impeller Lock	S06314
71	Bracket	See Table I
73A	Gasket, Volute	S05126
73B	Gasket, Seal Retainer	S16800
73C	Gasket, Flange	S10364
89	Seal, Mechanical Shaft	S32690
800A	Capscrew, 3/8 - 16 x 1" [7 Req.]	S26826

Item No.	Part Description	Part Number
800B	Capscrew, 3/8 - 16 x 1-1/4" [7 Req.]	S26828
800C	Capscrew, 3/8 - 16 x 3/4" [4 Req.]	S26824
800D	Capscrew, 5/8 - 11 x 1-3/4" [4 Req.]	S27001
800E	Capscrew, 3/8 - 16 x 2-1/4" [8 Req.]	S26825
801	Stud, 3/8 - 16 x 3" [4 Req.]	S23994
802	Nut, Hex 3/8-16 [5 Req.]	S23103
804A	Weight, Clack	S14842
804B	Weight, Clack	S15325
805	Washer, Lock	S23036
810A	Plug, Pipe 1/2 NPT [2 Req.]	S23717
810B	Plug, Pipe 1-1/2 NPT [2 Req.]	S23695
•811	Fitting, Grease	S23700
816A	Ring, Retaining [2 Req.]	S23010
816B	Ring, Retaining	S23009
817	Ring, Retaining	S24652
835	Clack, Rubber	L04119
850	Flange, Blind	S15933

• Not illustrated.



# BERKELEY® B4ZQKHS

SAE ENGINE MOUNT SELF PRIME

## Cast Iron Impeller

Threaded Case (NPT), Mechanical Seal Construction

Section	SAE/SP
Page	50.1
Date	March 4, 2013
Supersedes 01/01/04	

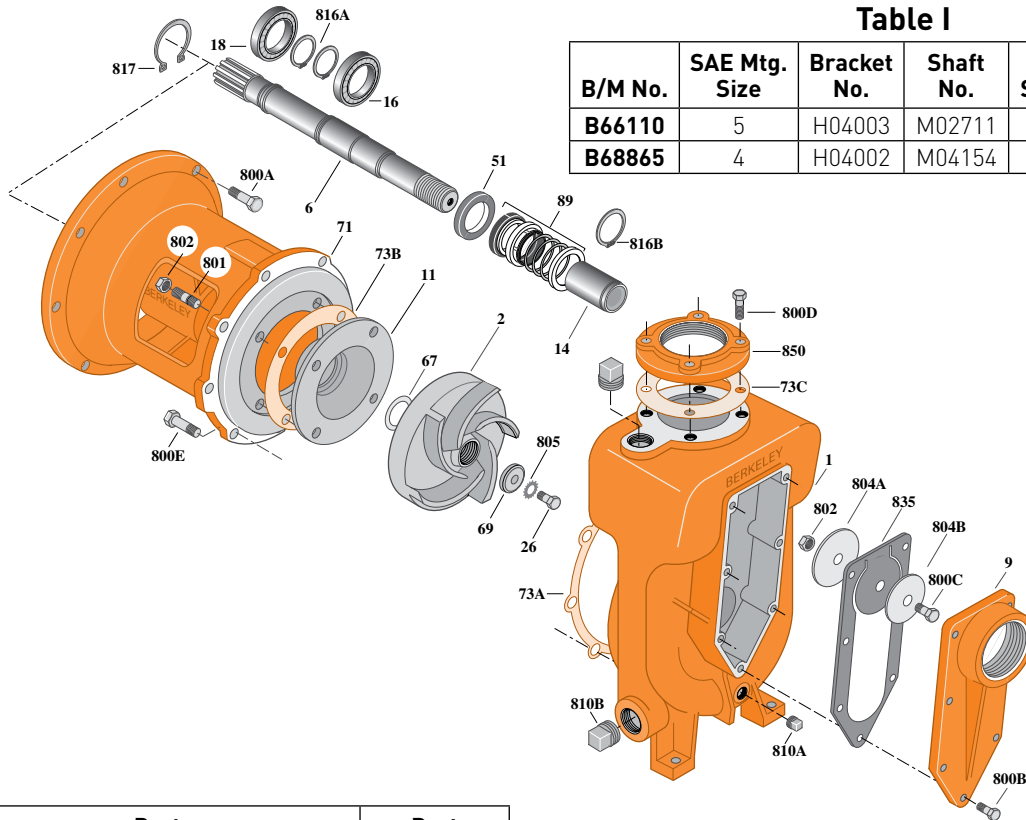


Table I

B/M No.	SAE Mtg. Size	Bracket No.	Shaft No.	Shaft Spline No.	Shaft Ext.
B66110	5	H04003	M02711	1-3/8-10T	2-1/2"
B68865	4	H04002	M04154	1-3/8-10T	3"

Item No.	Part Description	Part Number
1	Case, Volute	H02505
2	Impeller	M08095
6	Shaft	See Table I
9	Cover, Suction	L04108
11	Seal Retainer	M06063
14	Sleeve, Shaft	S39242
16	Bearing, Ball	S13270
18	Bearing, Ball	S14059
26	Screw, Impeller	S23566
51	Seal, Oil	S14762
67	Spacer, Impeller (3 Req.)	S15405
69	Washer, Impeller Lock	S06314
71	Bracket	See Table I
73A	Gasket, Volute	S05126
73B	Gasket, Seal Retainer	S16800
73C	Gasket, Flange	S10364
89	Seal, Mechanical Shaft	S32690
800A	Capscrew, 3/8 - 16 x 1" (7 Req.)	S26826

Item No.	Part Description	Part Number
800B	Capscrew, 3/8 - 16 x 1-1/4" (7 Req.)	S26828
800C	Capscrew, 3/8 - 16 x 3/4" (4 Req.)	S26824
800D	Capscrew, 5/8 - 11 x 1-3/4" (4 Req.)	S27001
800E	Capscrew, 3/8 - 16 x 2-1/4" (8 Req.)	S26825
801	Stud, 3/8 - 16 x 3" (4 Req.)	S23994
802	Nut, Hex 3/8-16 (5 Req.)	S23103
804A	Weight, Clack	S14842
804B	Weight, Clack	S15325
805	Washer, Lock	S23036
810A	Plug, Pipe 1/2 NPT (2 Req.)	S23717
810B	Plug, Pipe 1-1/2 NPT (2 Req.)	S23695
•811	Fitting, Grease	S23700
816A	Ring, Retaining (2 Req.)	S23010
816B	Ring, Retaining	S23009
817	Ring, Retaining	S24652
835	Clack, Rubber	L04119
850	Flange, Blind	S15933

• Not illustrated.

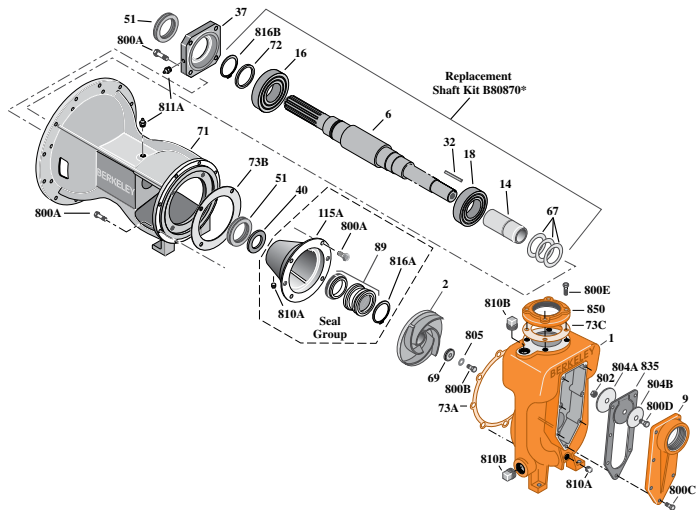


# BERKELEY®

## B4ZQKLS, B4ZQKHS

### SAE ENGINE MOUNT SELF PRIME

Section	SAE/SP
Page	60.1
Date	March 4, 2013
Supersedes 01/01/04	



### B4ZQK Common Parts Groups Repair Parts List

Item No.	Part Description	Part Number
1	Volute Case	H02505
6	Shaft, 1-1/2-10T SAE*	M12339
9	Suction Cover	L04108
14	1-3/8 ID x 1-3/4 OD Shaft Sleeve*	M12422
16	Single Row Ball Bearing*	S13395
18	Ball Bearing*	S13397
32	Shaft Key, 1/4" Sq. x 2-1/4" Lg.*	S23677
37	Bearing Cap	M12335
40	Slinger, Water	S10964
51	Grease Seal [2 Req.]*	M12337
69	Lock Washer	S06319
71	Bracket	M12331
72	Thrust Ring	S06519
73A	Volute Gasket	S05126
73B	Balance Ring Gasket	S09943
73C	Flange Gasket	S10364
800A	3/8-16x1" Lg. Hex Hd Capscrew [16 Req.]	S26826
800B	1/2-13x1-1/4" Lg Hex Hd. Capscrew	S23621
800C	3/8-16x1-1/4" Lg. Hex Hd. Capscrew [8 Req.]	S26828
800D	3/8-16x3/4" Capscrew	S26824

Item No.	Part Description	Part Number
800E	5/8-11x1-1/4" Lg. Hex Hd. Capscrew [4 Req.]	S27001
802	Clack Nut, Hex 3/8-16	S23103
804A	Clack Weight	S14842
804B	Clack Weight	S15325
805	Lock Washer	S23038
810A	1/2" NPT Pipe Plug	S23717
810B	1-1/2" NPT Pipe Plug [2 Req.]	S23695
811A	Grease Fitting [2 Req.]	S23700
816B	External Retaining Ring*	S23016
835	Rubber Clack	L04119
850	Blind Flange	S15933

### Seal Components

Item No.	Part Description	Part Number
89	Packing Housing	S32015
115A	3/8-16NCx2-1/2" Lg. Stud [2 Req.]	M12333
810A	3/8-16 Hex Nut [2 Req.]	S23714
816A	1/8 MPTx90° Grease Fitting	S16767

\* Sold only in Shaft Repair Kit B80870.

Refer to following page for model specific repair parts listing.



# BERKELEY®

## B4ZQKLS, B4ZQKHS

### SAE ENGINE MOUNT SELF PRIME

Section	SAE/SP
Page	60.2
Date	March 4, 2013
Supersedes 01/01/02	

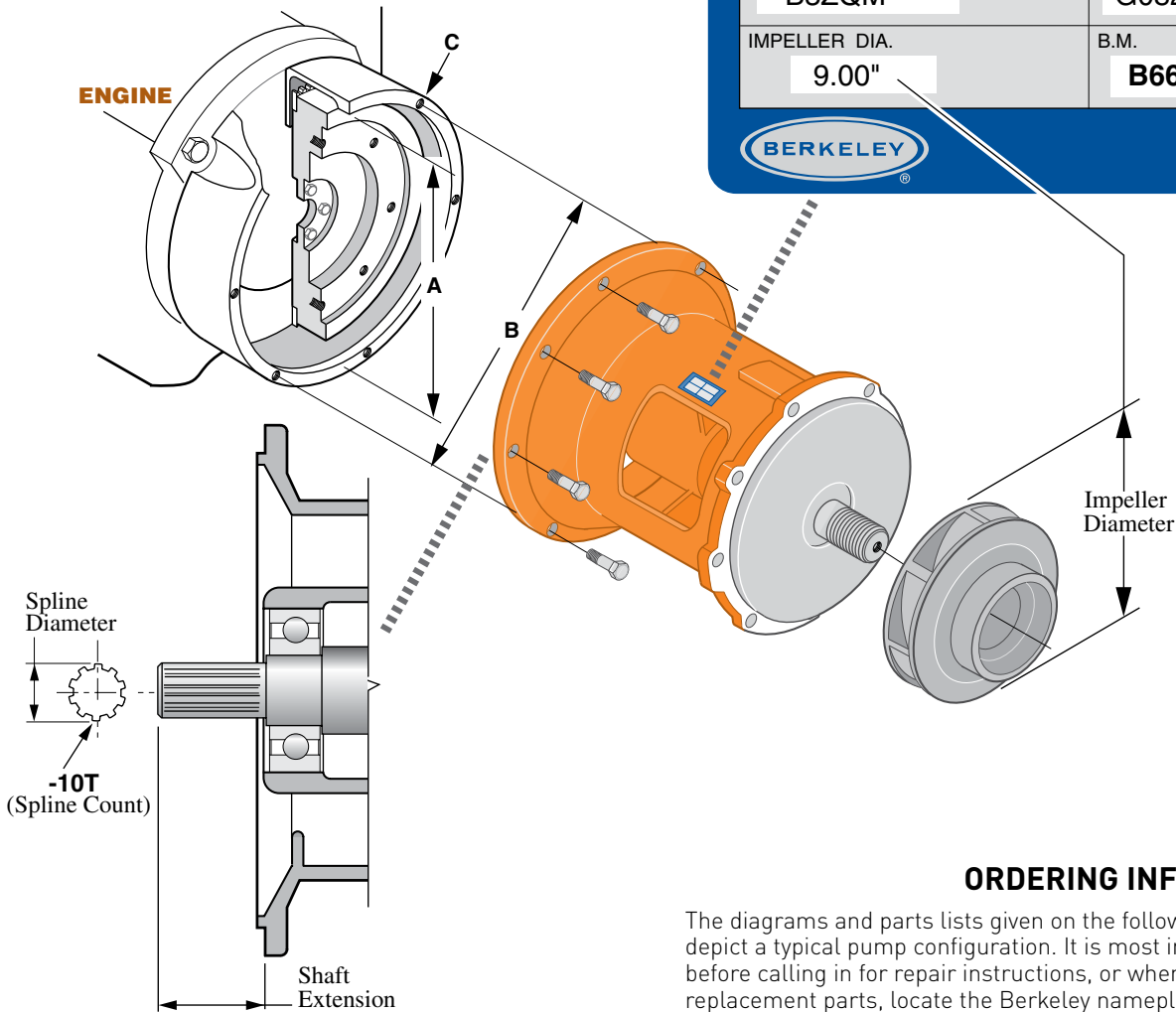
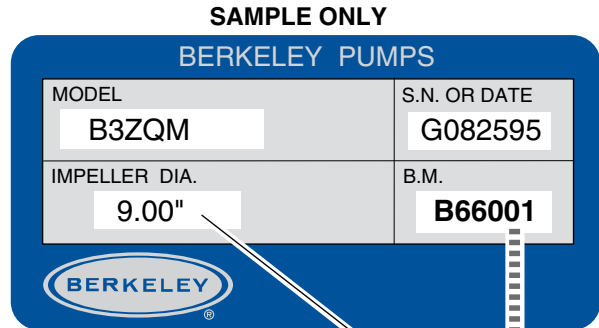
#### B4ZQKLS + HS Series 1-1/2x10T, SAE 4 & 5

Pump Series	Catalog Number	SAE	Impeller	Replacement Shaft Kit	Replacement Coupling	Clutch Size
<b>B4ZQKLS Mechanical Seal Construction</b>	B82380	4/5	M13762	B80870	B80828	7.5"
	B82381	4/5			B80829	6.5"
	B82382	4/5			B77599	10"
	B82383	4/5			B80827	8"
<b>B4ZQKHS Mechanical Seal Construction</b>	B82376	4/5	M13644	B80870	B80828	7.5"
	B82377	4/5			B80829	6.5"
	B82378	4/5			B77599	10"
	B82379	4/5			B80827	8"

Section	SAE
Supplement	A
Date	March 4, 2013
Supersedes 07/01/11	

### Mechanical Shaft Seal Construction, Packing Construction

Flywheel Housing Dimensions	S.A.E. Flywheel Housing Size				
	1	2	3	4	5
<b>A</b>	20-1/8	17-5/8	16-1/8	14-1/4	12-3/8
<b>B</b>	20-7/8	18-3/8	16-7/8	15	13-1/8
<b>C</b>	No.	12	12	12	8
	Size	7/16-14	3/8-16	3/8-16	3/8-16



### ORDERING INFORMATION

The diagrams and parts lists given on the following pages depict a typical pump configuration. It is most important that before calling in for repair instructions, or when ordering replacement parts, locate the Berkeley nameplate on the pump. It is affixed to the motor bracket, as shown here. Provide all nameplate data, especially the S.N OR DATE number and the **B.M. (Bill of Material)** number to ensure receiving correct parts.

### SAE HOUSING SIZE/SHAFT DIMENSIONS

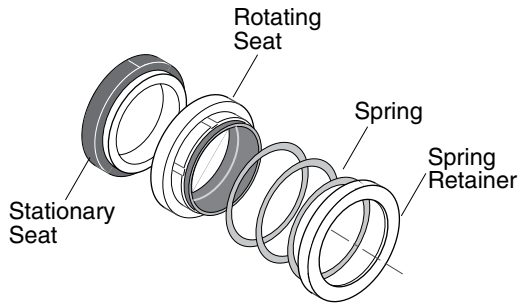
Table I on repair parts sheets of this section reflect each pump's SAE housing size to verify fit to engine, and shaft dimensions for proper match-up to flywheel coupling. Refer to above illustration for an explanation of these figures.

**NOTE:** Engine and flywheel coupling are not part of pump assembly.



Section	SAE
Supplement	B
Date	March 4, 2013
Supersedes 08/17/10	

## Mechanical Seal Construction

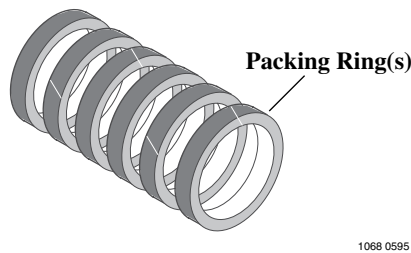


Typical Mechanical Seal

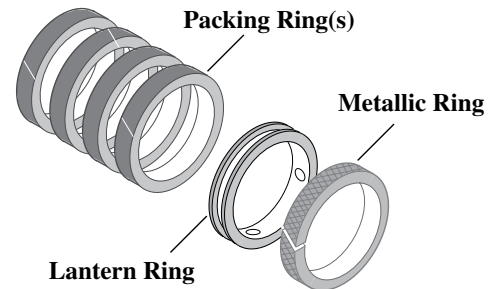
## Standard Mechanical Seal/ Shaft Sleeve Combinations

SEAL		SLEEVE	
P/N	Description	P/N	Description
<b>S32690</b>	1-1/8" Type 21 Short	<b>S05127L</b>	7/8" I.D. x 1-1/8" O.D.
<b>S32694</b>	1-7/8" Type 21 Short	<b>S33429L</b>	1-1/2" I.D. x 1-7/8" O.D.
<b>S30320</b>	2-1/2" Type 2	<b>S19499L</b>	2-3/16" I.D. x 2-1/2" O.D.
<b>S32015</b>	1-3/4" Type 21	<b>M15098L</b>	1-3/8" I.D. x 1-3/4" O.D.

## Packing Construction



Typical Packing Set - Soft Rings Only



Typical Packing Set With Soft Rings,  
Lantern Ring, and Hard (Metallic) Ring

## Standard Packing Sets Shown on Repair Parts Sheets

Packing Set P/N	No. of Soft Rings	Metallic Ring	Ring I.D.	Ring O.D.	Cross Section	Shaft Sleeve
<b>S14022</b>	6	None	1-1/8"	1-5/8"	1/4"	S05127L
<b>S14023</b>	6	None	1-7/8"	2-5/8"	3/8"	S05974L
<b>S13435</b>	4	S11092	1-3/4"	2-1/2"	3/8"	M15098L
<b>S13436</b>	4	S13434	1-7/8"	2-5/8"	3/8"	S05974L
<b>S13437</b>	4	S11093	2-1/8"	2-7/8"	3/8"	S07073L

**NOTE:** Part numbers given on repair parts sheets for packing rings reflects complete set of soft rings required for each model. Some models also require a hard (metallic) ring that is installed as shown above. Hard ring comes as part of the set, when required, and is in **addition** to the soft ring count shown (set of 5, set of 6, etc.). Metallic part number shown for reference only. Lantern Ring (item #29) is sold separately.

**NOTE:** M15098L is available in Kit # B85741. Kit includes sleeve, adhesive, and instruction sheet.

Section	SAE
Supplement	C1
Date	March 4, 2013
Supersedes 01/01/12	

### Replacement Shaft Kits

**1-3/8-10T 3" Ext.**

Ref.	Part Description	Part No.
6	Shaft, Pump	M04154
14	Sleeve, Shaft	S05127L
16	Bearing, Inboard	S13270
18	Bearing, Outboard	S14059
816	Ring, Retaining [2 Rqd.]	S23010

**B71879**

**1-3/8-10T 2-1/2" Ext.**

Ref.	Part Description	Part No.
6	Shaft, Pump	M02711
14	Sleeve, Shaft	S05127L
16	Bearing, Inboard	S13270
18	Bearing, Outboard	S14059
816	Ring, Retaining [2 Rqd.]	S23010

**B71878**

**1-1/2-10T 3" Ext.**

Ref.	Part Description	Part No.
6	Shaft, Pump	M06183
14	Sleeve, Shaft	S05974L
16	Bearing, Inboard	S13396
18	Bearing, Outboard	S13395

**B71883**

**1-3/8-10T 3" Ext.**

Ref.	Part Description	Part No.
6	Shaft, Pump	M06186
14	Sleeve, Shaft	S05974L
16	Bearing, Inboard	S13396
18	Bearing, Outboard	S13395

**B71882**

Section	SAE
Supplement	C2
Date	March 4, 2013
Supersedes 01/01/12	

### Replacement Shaft Kits

**1-1/2-10T 3" Ext.**

Ref.	Part Description	Part No.
6	Shaft, Pump	M06735
14	Sleeve, Shaft	S19499L
16	Bearing, Inboard	S19502
18	Bearing, Outboard	S18336
22	Nut, Bearing Lock	S19498
816	Ring, Retaining	S17831

**B71884**

**1-1/2-10T 2-1/2" Ext.**

Ref.	Part Description	Part No.
6	Shaft, Pump	M06188
14	Sleeve, Shaft	S33429L
16	Bearing, Inboard	S13396
18	Bearing, Outboard	S13395
816	Ring, Retaining	S29341

**B71891**

**1-3/8-10T 3" Ext.**

Ref.	Part Description	Part No.
6	Shaft, Pump	M06186
14	Sleeve, Shaft	S33429L
16	Bearing, Inboard	S13396
18	Bearing, Outboard	S13395
816	Ring, Retaining	S29341

**B71893**

**1-1/2-10T 3" Ext.**

Ref.	Part Description	Part No.
6	Shaft, Pump	M06183
14	Sleeve, Shaft	S33429L
16	Bearing, Inboard	S13396
18	Bearing, Outboard	S13395
816	Ring, Retaining	S29341

**B71894**

Section	SAE
Supplement	C3
Date	March 4, 2013
Supersedes 01/01/12	

**Replacement Shaft Kits**

**1-1/2-10T 3" Ext.**

Ref.	Part Description	Part No.
6	Shaft, Pump	M15092
14	Sleeve, Shaft (Kit)	B85741
16	Bearing, Inboard	M15097
18	Bearing, Outboard	S13754
40	Slinger, Water	S10964
72	Ring, Thrust	M15095
816	Ring, Retaining	M15094
*	Seal (2 Rqd.)	M12337
	Key	S23677
	Washer, Lock	S06319
	Washer, Lock	S23038
	Screw, Impeller	S23621

\* Not Illustrated.

**B85738**

**1-1/2-10T 4" Ext.**

Ref.	Part Description	Part No.
6	Shaft, Pump	M12339
14	Sleeve, Shaft	M12422L
16	Bearing, Inboard	S13395
18	Bearing, Outboard	S13397
40	Slinger, Water	S10964
72	Ring, Thrust	S06519
816	Ring, Retaining	S23016
*	Seal, Grease (2 Rqd.)	M12337
	Key	S24176
	Ring, Retaining	S16767

\* Not illustrated.

**B80870**

Section	SAE
Supplement	C4
Date	March 4, 2013
Supersedes 01/01/12	

### Replacement Shaft Kits

**1-3/8-10T 2-3/4" EXT**

Ref.	Part Description	Part No.
6	Shaft, Pump	M06187
14	Sleeve, Shaft	S33429L
16	Bearing, Inboard	S13396
18	Bearing, Outboard	S13395
816	Ring, Retaining	S29341

**B71892**

**1-3/8-10T 2-1/2" EXT**

Ref.	Part Description	Part No.
6	Shaft, Pump	M02711
14	Sleeve, Shaft	S39242L
16	Bearing, Inboard	S13270
18	Bearing, Outboard	S14059
816A	Ring, Retaining	S23010
816B	Ring, Retaining (2 Rqd.)	S23009

**B85553**

**1-1/2" 10T XT Series**

Ref.	Part Description	Part No.
6	Shaft, Pump	M14768
14	Sleeve, Shaft	S07073L
16	Bearing, Inboard	S14049
18	Bearing, Outboard	M12181
816	Ring, Retaining	M12183
72	Thrust Ring	M12182
40	Water Slinger	M09682
51A	Oil Seal	M12241
51B	Oil Seal	M12177

**B85337**

**1-1/2" 10T XT Series**

Ref.	Part Description	Part No.
6	Shaft, Pump	M12179
14	Sleeve, Shaft	S07073L
16	Bearing, Inboard	S14049
18	Bearing, Outboard	M12181
816	Ring, Retaining	M12183
72	Thrust Ring	M12182
40	Water Slinger	M09682
51A	Oil Seal	M12241
51B	Oil Seal	M12177

**B81664**

Section	SAE
Supplement	C5
Date	March 4, 2013
Supersedes 01/01/12	

### Replacement Shaft Kits

1-1/2" 10T

Ref.	Part Description	Part No.
6	Shaft, Pump	M15118
14	Sleeve, Shaft	S29517L
16	Bearing, Inboard	M15133
18	Bearing, Outboard	M15132
72	Thrust Ring	M15202
816	Ring, Retaining	M15134
40	Water Slinger	M15127
51	Oil Seal, 2 Req	M15135
*	O-RING, Volute	M15130
*	Shaft Key	M15123
*	Impeller Locknut	S07829
*	Impeller Washer	M15232

\* Not illustrated.

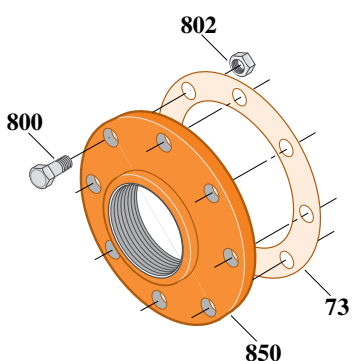
B85808



Section	SAE
Supplement	D1
Date	March 4, 2013
Supersedes 01/01/04	

### Companion Flange Kits

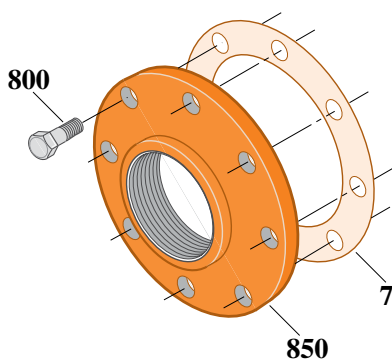
**4" NPT x 9" O.D.**



Key	Part Description	Part No.
73	Gasket	S10366
800	Capscrew, 5/8 - 11 x 2-1/2" (8 Req.)	S27005
802	Nut, Hex 5/8 - 11 (8 Req.)	S23109
850	Flange, Companion, 125 lb.	S11790

**B59870**

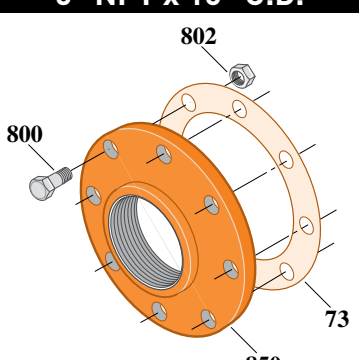
**4" NPT x 9" O.D.**



Key	Part Description	Part No.
73	Gasket	S10366
800	Capscrew, 5/8 - 11 x 1-5/8" (8 Req.)	S27000
850	Flange, Companion, 125 lb.	S11790

**B74303**

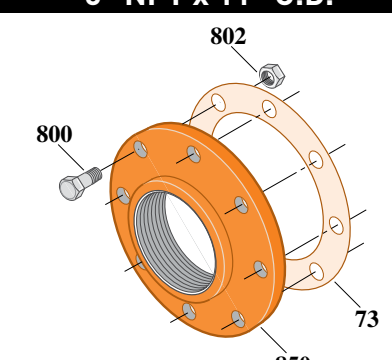
**5" NPT x 10" O.D.**



Key	Part Description	Part No.
73	Gasket	S10367
800	Capscrew, 3/4 - 10 x 3" (8 Req.)	S27333
802	Nut, Hex 3/4 - 10 (8 Req.)	S23111
850	Flange, Companion, 125 lb.	S11791

**B59871**

**6" NPT x 11" O.D.**



Key	Part Description	Part No.
73	Gasket	S10368
800	Capscrew, 3/4 - 10 x 3" (8 Req.)	S27333
802	Nut, Hex 3/4 - 10 (8 Req.)	S23111
850	Flange, Companion, 125 lb.	S11792

**B59872**

Section	SAE
Supplement	D2
Date	March 4, 2013
Supersedes 01/01/04	

### Companion Flange Kits

**8" NPT x 13-1/2" O.D.**

1098 0595

Key	Part Description	Part No.
73	Gasket	S10369
800	Capscrew, 3/4 - 10 x 2-3/4" (8 Req.)	S27332
802	Nut, Hex 3/4 - 10 (8 Req.)	S23111
850	Flange, Companion, 125 lb.	S11793

**B59873**

**10" NPT x 16" O.D.**

1099 0595

Key	Part Description	Part No.
73	Gasket	S10370
800	Capscrew, 7/8 - 9 x 3" (12 Req.)	S23307
802	Nut, Hex 7/8 - 9 (12 Req.)	S23113
850	Flange, Companion, 125 lb.	S11794

**B59874**

**5" NPT x 10" O.D.**

1810 0595

Key	Part Description	Part No.
73	Gasket	S10367
800	Capscrew, 3/4 - 10 x 1-3/4" (8 Req.)	S27327
850	Flange, Companion, 125 lb.	S11791

**B59875**

**6" NPT x 10" O.D.**

1811 0595

Key	Part Description	Part No.
73	Gasket	S10367
800	Capscrew, 3/4 - 10 x 2-1/4" (8 Req.)	S27330
850	Flange, Companion, 125 lb.	S02178

**B59876**

Section	SAE
Supplement	D3
Date	March 4, 2013
Supersedes 01/01/04	

### Companion Flange Kits

**6" NPT x 11" O.D.**

1811 0595

Key	Part Description	Part No.
73	Gasket	S10368
800	Capscrew, 3/4 - 10 x 2" [8 Req.]	S27329
850	Flange, Companion, 125 lb.	S11792

**B59877**

**8" NPT x 13-1/2" O.D.**

1811 0595

Key	Part Description	Part No.
73	Gasket	S10369
800	Capscrew, 3/4 - 10 x 2" [8 Req.]	S27329
850	Flange, Companion, 125 lb.	S11793

**B59878**

**10" NPT x 16" O.D.**

1812 0595

Key	Part Description	Part No.
73	Gasket	S10370
800	Capscrew, 7/8 - 9 x 2" [12 Req.]	S23303
850	Flange, Companion, 125 lb.	S11794

**B59879**

**12" NPT x 19" O.D.**

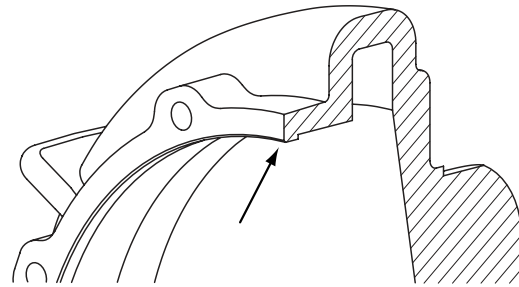
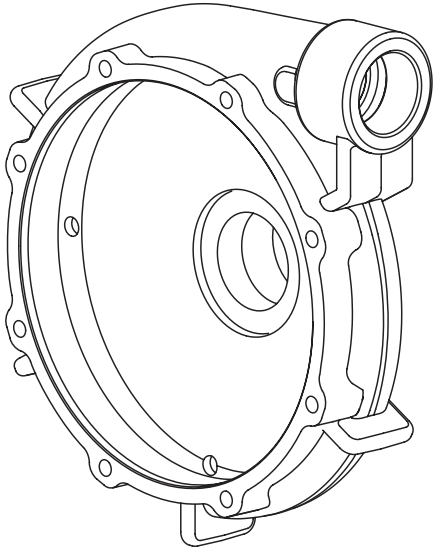
1813 0595

Key	Part Description	Part No.
73	Gasket	S10371
800	Capscrew, 7/8 - 9 x 3" [12 Req.]	S24095
802	Nut, Hex 7/8 - 9 [12 Req.]	S23113
850	Flange, Companion, 125 lb.	S11795

**B59880**

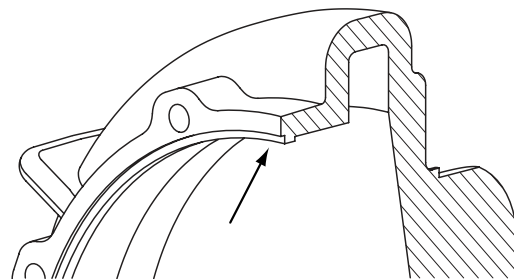
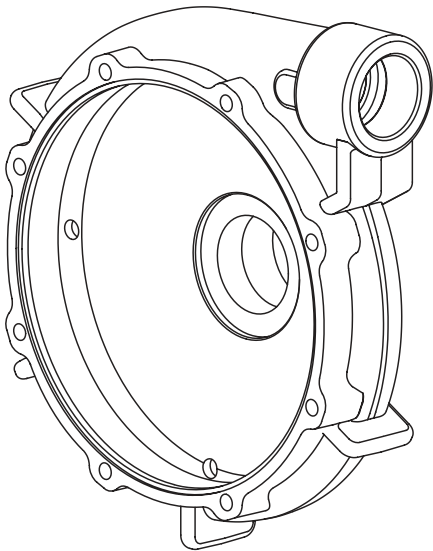
Section	SAE
Supplement	E
Date	March 4, 2013
Supersedes 07/01/11	

### Volute Sealing: Gasket Only



**Style 1:** There is a small chamfer along the back face of the volute, but no circumferential o-Ring groove. This volute can ONLY be sealed with a gasket.

### Volute Sealing: O-Ring or Gasket

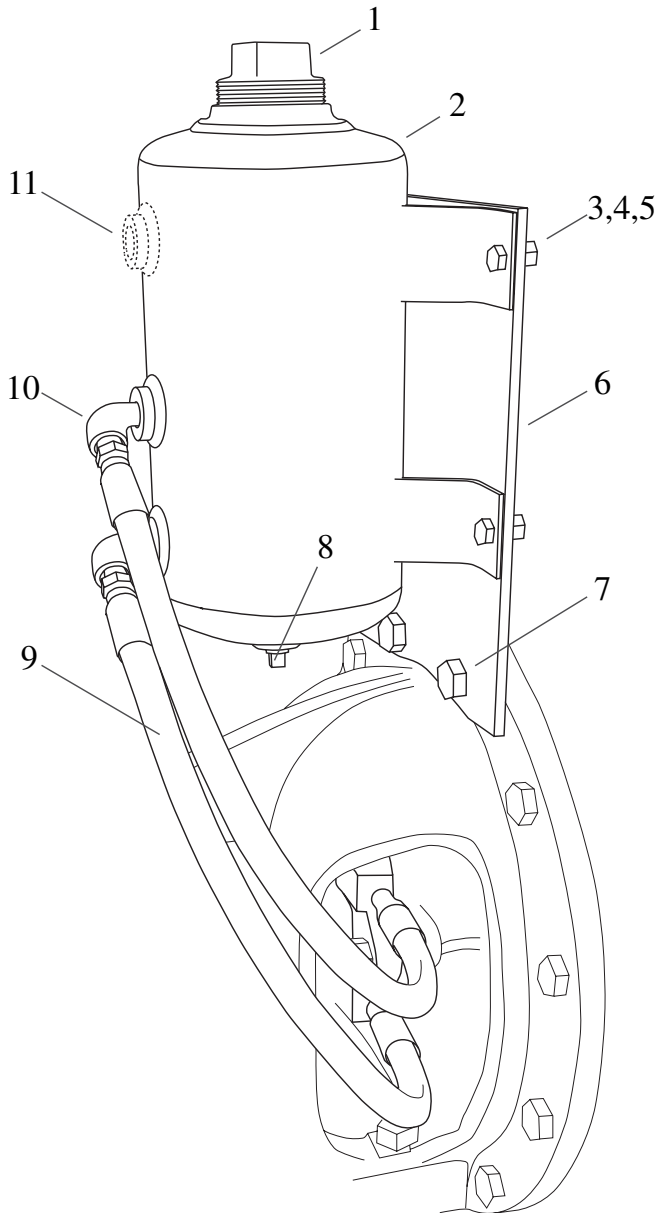


**Style 2:** O-Ring groove machined into back face of volute. This volute can be sealed with a gasket or with an o-Ring.

## DRY RUN TANK ASSEMBLY

Section	SAE
Supplement	F
Date	March 4, 2013
Supersedes 12/01/11	

### Components



**B85576** Dry Run Tank Assembly for Frame and SAE Series pump models B\_G, B\_J, B\_EY  
 - Requires M14959 Dry Run Shaft Seal Retainer

Ref.	Description	Part Number
1	2" Sq. Hd. Pipe Plug	U78-64GP
2	Reservoir, Dry Run	M14961
3	Capscrew, Hex Hd, 3/8-16 x 1" [4 Rqd.]	S26826
4	Nut, 3/8-16 [4 Rqd.]	S23103
5	Washer, Lock Spring, 3/8 [4 Rqd.]	S23076
6	Tank Mounting Plate	M14976
7	Capscrew, Hex Hd, 5/8-11 x 1-3/4" [2 Rqd.]	S27001
8	1/4" NPT Hex Hd Pipe Plug	U78-941ZPF
9	Hose Assy, 3/8" Dia, 1/4" NPT, 24" lg. [2 Rqd.]	M14983
10	Elbow, Street 90° [2 Rqd.]	20FM3C0002 0008 F
11	Sight Glass Assy*	HYD7S2 9906 F

\* Not present on all tanks

**B85577** Dry Run Tank Assembly for model B6XTQBH  
 - Requires M14960 Dry Run Shaft Seal Retainer

Ref.	Description	Part Number
1	2" Sq. Hd. Pipe Plug	U78-64GP
2	Reservoir, Dry Run	M14961
3	Capscrew, Hex Hd, 3/8-16 x 1" [4 Rqd.]	S26826
4	Nut, 3/8-16 [4 Rqd.]	S23103
5	Washer, Lock Spring, 3/8 [4 Rqd.]	S23076
6	Tank Mounting Plate	M14977
7	Capscrew, Hex Hd, 5/8-11 x 1-3/4" [2 Rqd.]	S27001
8	1/4" NPT Hex Hd Pipe Plug	U78-941ZPF
9	Hose Assy, 3/8" Dia, 1/4" NPT, 24" lg. [2 Rqd.]	M14983
10	Elbow, Street 90° [2 Rqd.]	20FM3C0002 0008 F
11	Sight Glass Assy*	HYD7S2 9906 F

\* Not present on all tanks

For Dry Run gland, seals and other pump components, refer to the appropriate pump repair part page.